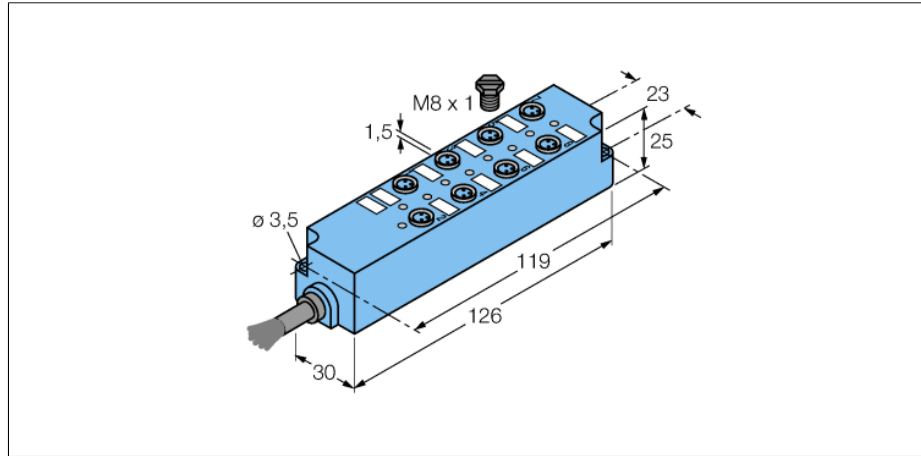
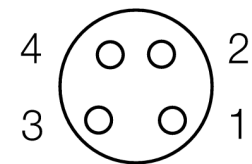


**actuator/sensor junction systems, M8 x 1/Ø 8mm  
8-port box, M8 x 1, with integral cable  
8MBM8-4P3-10/S1117**



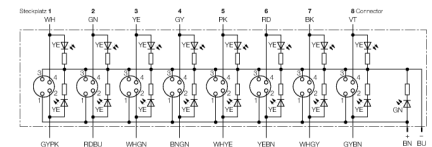
- robust, fully encapsulated actuator/sensor box
- degree of protection IP67
- double-row design for optimum handling
- also available with different cable lengths and of different materials
- pnp and npn circuitry
- PUR cable
- PVC and halogen-free
- for demanding and high-flex applications

**Wiring diagram**



**Cable quality S1117**

Flexible PVC and halogen-free control cable with PUR jacket and polypropylene conductor insulation. The temperature resistance ranges from 40°C up to +90°C. Oil resistance and flame retardance according to VDE 0472 are fulfilled. This cable is suited for flexible use in robot technology, tooling machines and in machining applications.



<b>Type code</b>	8MBM8-4P3-10/S1117
Ident no.	8025653
<b>I/O junction box</b>	8-port, with integral homerun cable
Housing	plastic, PA 6 GF, blue
Number of pins	4
Operating voltage	LED green
Display switch state	LED yellow
Switching function	pnp, npn version also available
I/O port	female connector, M8 x 1
Polarity	4-pole
Connector B side	female connector
Thread insert	metal, CuZn, nickel-plated
Contact carriers	plastic, PA 6 GF, blue
Contacts	metal, CuZn, gold-plated
Seal	plastic, FPM/FKM
Mechanical lifespan	> 100 mating cycles
Pollution degree	3
<b>Cable</b>	S1117, Lif12YH-11YH, 8.5
Cable length	10m
Cable sheath	PUR, BK
Core insulation	TPE
Core colors	VT, RD, GY, RD/BU, GN, GY/PK, WH/GN, WH/YE, WH/GY, BK, YE/BN, BN/GN, WH, YE, PK, GY/BN, BU, BN
Core cross-section	16x0.25mm <sup>2</sup> 2x0.5mm <sup>2</sup>
Litz wire arrangement	32x0.1 mm 64x0.1mm
Bending radius (mobile)	min. 10 x Ø cable
<b>Rated voltage [U<sub>max</sub>]</b>	10  30V
Ampacity	2 A per signal contact, total current 6 A
Forward resistance	≤ 5 mΩ
Insulation resistance	≥ 10 <sup>8</sup> Ω
Ambient temperature junction	-30 ... +90°C
Cable ambient temperature	-50... +80°C
Degree of protection	IP67
	only in screwed-on condition
Pollution degree	3