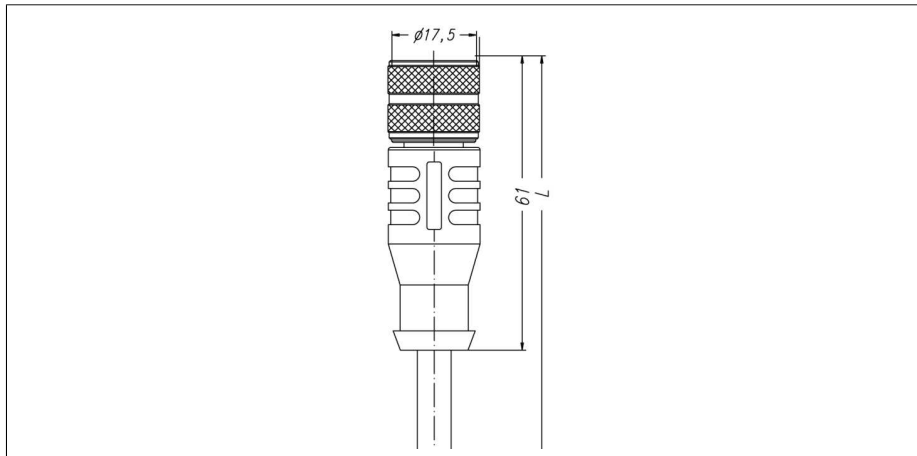


**Connection cable
female M16 x 0,75
MKAU19.001-2/S1117**

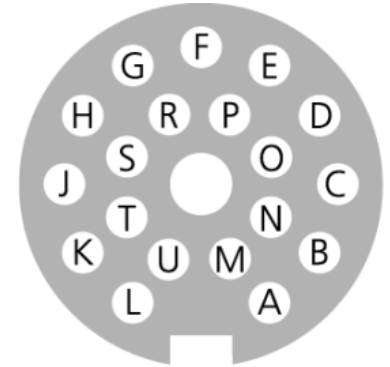
TURCK

Industrial
Automation



- Field-wireable and overmoulded connection cable
- Other cable lengths available

Wiring diagram



A: WH/GY	K: YE/BN
B: WH/YE	L: GY/BN
C: GN	M: BN
D: RD	N: YE
E: GY/PK	O: GY
F: PK	P: WH/GN
G: RD/BU	R: WH
H: BK	S: VT
J: BN/GN	T: n.c.
	U: BU

Cable quality S1117

Flexible control cable, free from PVC and halogen, with PUR sheath and TPE-insulated core. Temperature resistant in a range from -50°C ... +80 °C. Oil resistant as well as flame retardant acc. to VDE 0472. Qualified for drag chain use at a bending radius of 10xd. This high-flex cable is especially suited for robotic applications, machine tools and metal-cutting production.

Type code	MKAU19.001-2/S1117
Ident no.	8029813
Connector A side	female connector, M16 x 0.75, axial
Number of pins	19
Contacts	metal, CuZn, gold-plated
Contact carriers	plastic, TPU, black
Grip	plastic, TPU, blue
Coupling nut/screw	metal, CuZn, nickel-plated
Seal	plastic, NBR
Mechanical lifespan	> 100 mating cycles
Pollution degree	3
Cable	S1117, Lif12YH-11YH
Cable diameter	8.5 mm
Cable length	2m
Cable sheath	PUR, BK
Core insulation	TPE
Core colors	WH/GY, WH/YE, GN, RD, GY/PK, PK, RD/BU, BK, BN/GN, YE/BN, GY/BN, YE, GY, WH/GN, WH, VT BU, BN
Core cross-section	14x0.25mm ² 4x0.5mm ²
Bending radius (mobile)	min. 10 x Ø cable
Rated voltage [Umax]	32 V
Insulation resistance	≥ 10 ⁹ Ω
Ampacity	6 A contacts A,L,M,U 2A all other contacts
Ambient temperature Connector	-30... +90°C
Cable ambient temperature	-50... +80°C