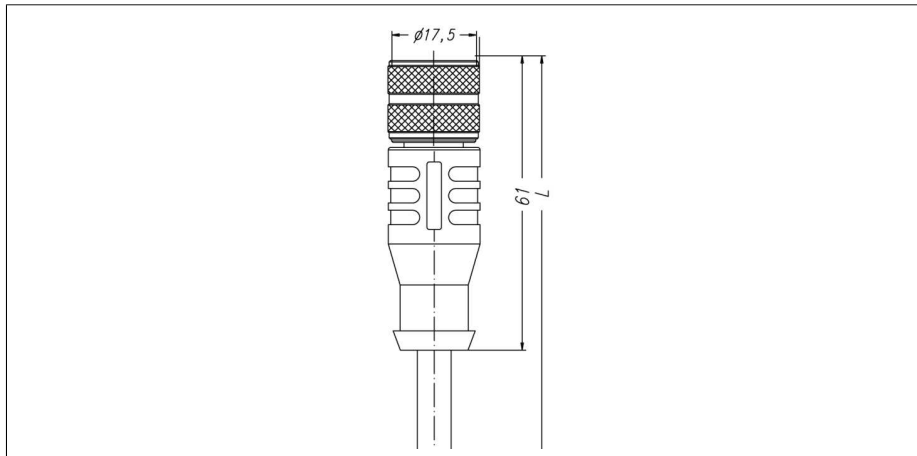


**Connection cable  
female M16 x 0,75  
MKAU14.001-5/S1117**

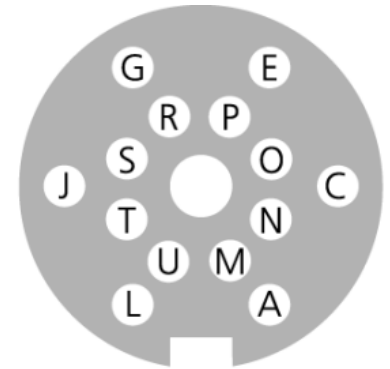
**TURCK**

Industrial  
Automation



- Field-wireable and overmoulded connection cable
- Other cable lengths available

**Wiring diagram**



A: BN	K: n.c.
B: n.c.	L: BU
C: n.c.	M: n.c.
D: n.c.	N: n.c.
E: BK	O: VT
F: n.c.	P: WH
G: PK	R: RD
H: n.c.	S: GY
J: GN	T: YE

<b>Type code</b>	MKAU14.001-5/S1117
Ident no.	8029865
<b>Connector A side</b>	female connector, M16 x 0.75, axial
Number of pins	14
Contacts	metal, CuZn, gold-plated
Contact carriers	plastic, TPU, black
Grip	plastic, TPU, blue
Coupling nut/screw	metal, CuZn, nickel-plated
Seal	plastic, NBR
Mechanical lifespan	> 100 mating cycles
Pollution degree	3
<b>Cable</b>	S1117, Lif12YH-11YH
Cable diameter	7.1 mm
Cable length	5m
Cable sheath	PUR, BK
Core insulation	TPE
Core colors	BK, PK, YE, WH, VT, RD, GY, GN BU, BN
Core cross-section	8x0.25mm <sup>2</sup> 2x0.5mm <sup>2</sup>
Bending radius (mobile)	min. 10 x Ø cable
<b>Rated voltage [U<sub>max</sub>]</b>	32 V
Insulation resistance	≥ 10 <sup>8</sup> Ω
Ampacity	6 A contacts M,U   2 A all other contacts
Ambient temperature Connector	-30... +90°C
Cable ambient temperature	-50... +80°C

**Cable quality S1117**

Flexible control cable, free from PVC and halogen, with PUR sheath and TPE-insulated core. Temperature resistant in a range from -50°C ... +80 °C. Oil resistant as well as flame retardant acc. to VDE 0472. Qualified for drag chain use at a bending radius of 10xd. This high-flex cable is especially suited for robotic applications, machine tools and metal-cutting production.