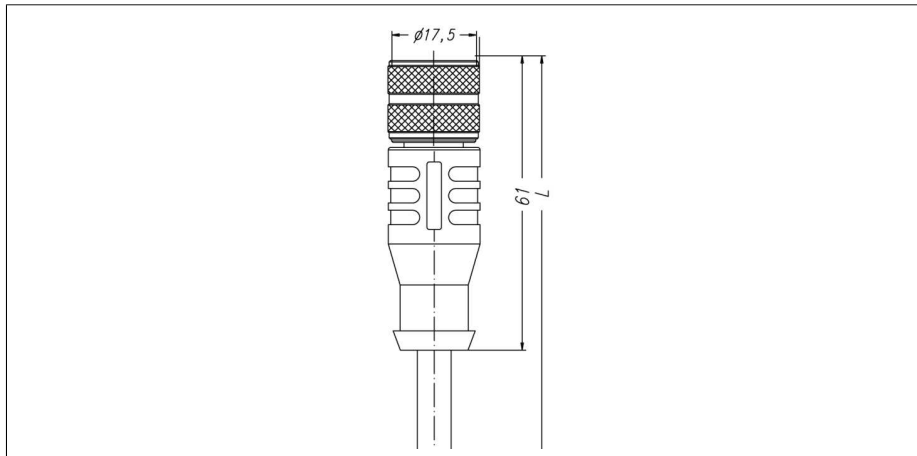


**Connection cable
female M16 x 0,75
MKAU14.001-2/S1117**

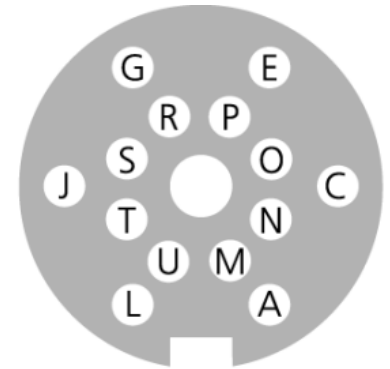
TURCK

Industrial
Automation



- Field-wireable and overmoulded connection cable
- Other cable lengths available

Wiring diagram



A: BN	K: n.c.
B: n.c.	L: BU
C: n.c.	M: n.c.
D: n.c.	N: n.c.
E: BK	O: VT
F: n.c.	P: WH
G: PK	R: RD
H: n.c.	S: GY
J: GN	T: YE

Cable quality S1117

Flexible control cable, free from PVC and halogen, with PUR sheath and TPE-insulated core. Temperature resistant in a range from -50°C ... +80 °C. Oil resistant as well as flame retardant acc. to VDE 0472. Qualified for drag chain use at a bending radius of 10xd. This high-flex cable is especially suited for robotic applications, machine tools and metal-cutting production.

Type code	MKAU14.001-2/S1117
Ident no.	8029796
Connector A side	female connector, M16 x 0.75, axial
Number of pins	14
Contacts	metal, CuZn, gold-plated
Contact carriers	plastic, TPU, black
Grip	plastic, TPU, blue
Coupling nut/screw	metal, CuZn, nickel-plated
Seal	plastic, NBR
Mechanical lifespan	> 100 mating cycles
Pollution degree	3
Cable	S1117, Lif12YH-11YH
Cable diameter	7.1 mm
Cable length	2m
Cable sheath	PUR, BK
Core insulation	TPE
Core colors	BK, PK, YE, WH, VT, RD, GY, GN BU, BN
Core cross-section	8x0.25mm ² 2x0.5mm ²
Bending radius (mobile)	min. 10 x Ø cable
Rated voltage [U_{max}]	32 V
Insulation resistance	≥ 10 ⁸ Ω
Ampacity	6 A contacts M,U 2 A all other contacts
Ambient temperature Connector	-30... +90°C
Cable ambient temperature	-50... +80°C