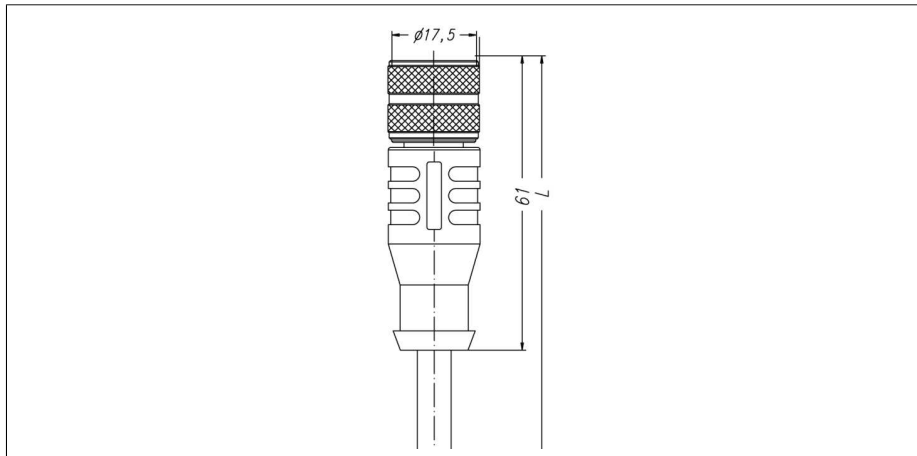


**Connection cable  
female M16 x 0,75  
MKAU14.001-5/S1118**

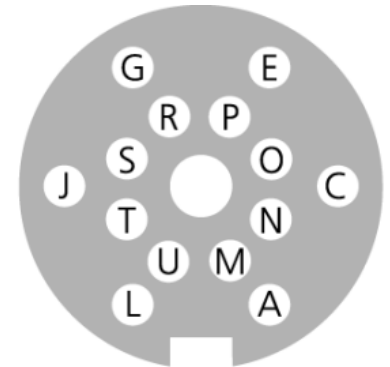
**TURCK**

Industrial  
Automation



- Field-wireable and overmoulded connection cable
- Other cable lengths available

**Wiring diagram**



A: BN	K: n.c.
B: n.c.	L: BU
C: n.c.	M: n.c.
D: n.c.	N: n.c.
E: BK	O: VT
F: n.c.	P: WH
G: PK	R: RD
H: n.c.	S: GY
J: GN	T: YE

<b>Type code</b>	MKAU14.001-5/S1118
Ident no.	8029867
<b>Connector A side</b>	female connector, M16 x 0.75, axial
Number of pins	14
Contacts	metal, CuZn, gold-plated
Contact carriers	plastic, TPU, black
Grip	plastic, TPU, blue
Coupling nut/screw	metal, CuZn, nickel-plated
Seal	plastic, NBR
Mechanical lifespan	> 100 mating cycles
Pollution degree	3
<b>Cable</b>	S1118, LifYY-0
Cable diameter	8 mm
Cable length	5m
Cable sheath	PVC, BK
Core insulation	PVC
Core colors	BK, PK, YE, WH, VT, RD, GY, GN BU, BN
Core cross-section	8x0.25mm <sup>2</sup> 2x0.5mm <sup>2</sup>
Bending radius (mobile)	min. 10 x Ø cable
<b>Rated voltage [U<sub>max</sub>]</b>	32 V
Insulation resistance	≥ 10 <sup>8</sup> Ω
Ampacity	6 A contacts M,U   2 A all other contacts
Ambient temperature Connector	-30... +90°C
Cable ambient temperature	-40... +80°C

**Cable quality S1118**

Pure PVC cable, resistant to average mechanical strain. For use in packaging machinery as well as assembly and production lines. Good resistance to acids and alkaline solutions and thus suited for the Food& Beverage industry. Limited resistance to abrasion, conditional resistance to oils and chemicals.