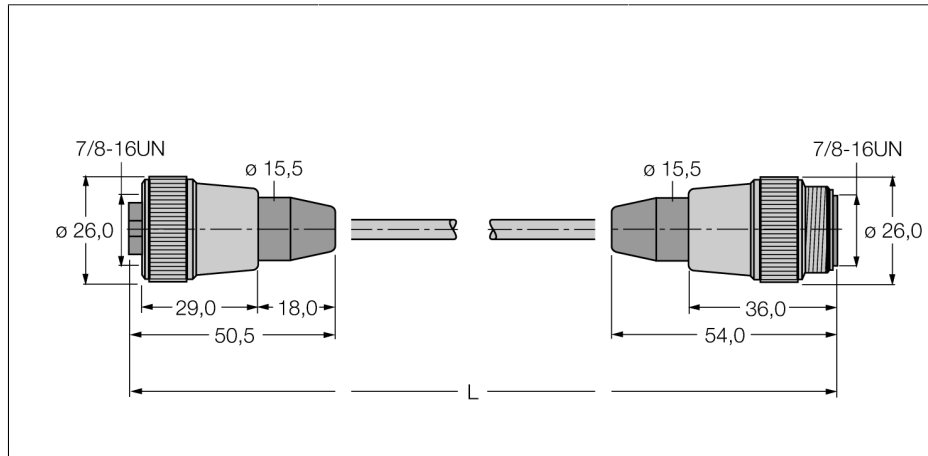
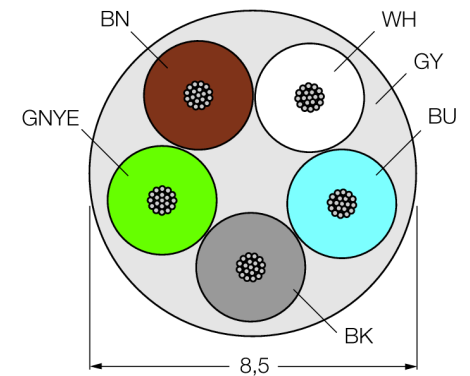


**power cable**  
**PUR cable jacket, 5-pole**  
**RKM52-4-RSM52**

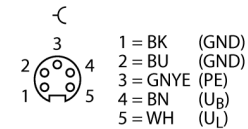


- Power cable: 5 x 1.5 mm<sup>2</sup>
- Jacket material: PUR, grey
- Jacket diameter: 8.5 mm
- Qualified for drag chain use
- Oil-resistant and flame-retardant
- Halogen-free
- 7/8" male, straight
- 7/8" female, straight
- Cable length: 4.0 m

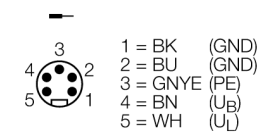
**Conductor cross-section**



**pin configuration left**



**Pin assignment right**



<b>Type code</b>	RKM52-4-RSM52
Ident no.	6914151
<b>Connector A side</b>	female connector, 7/8", straight
Number of pins	5
Contacts	metal, CuZn, gold-plated
Contact carriers	plastic, TPU, black
Grip	plastic, PUR, black
Coupling nut/screw	CuZn, nickel-plated
Protection class	IP67
<b>Connector B side</b>	male connector, 7/8", straight
Number of pins	5
Contact carriers	plastic, TPU, black
Grip	plastic, PUR, black
Coupling nut/screw	metal, CuZn, nickel-plated
Protection class	IP67
<b>Cable</b>	52
Cable type	power supply 5 x 1.5 mm <sup>2</sup>
Cable diameter	8.5mm
Cable length	4m
Cable sheath	PUR, grey
Shield	no
Core insulation	PP
Core colors	BN, WH, BU, BK, GNYE
Core cross-section	5x1.5mm <sup>2</sup>
Litz wire arrangement	84x0.15 mm
Nom. Impedance	- Ω
Core cross-section	5x1.5mm <sup>2</sup>
Rated current	15 A
DC resistance	13.3 Ω
<b>Rated voltage [U<sub>max</sub>]</b>	240 V
Ambient temperature at rest	-40 ... 90°C
In moving state	0 ... 90°C
Approvals	-
Trailing capability	yes
resistance to oil	yes
halogen-free	yes