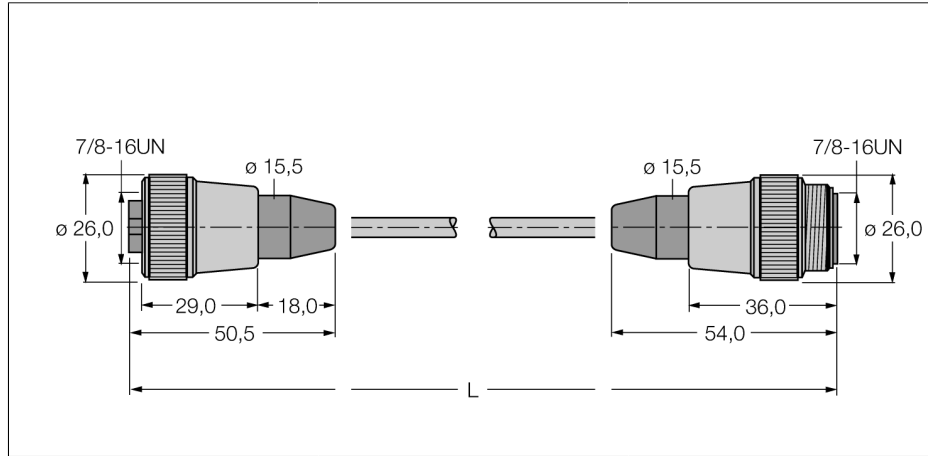
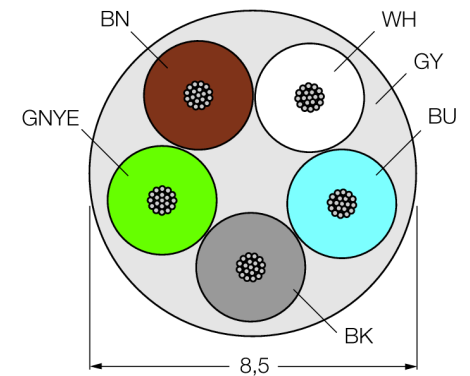


power cable
PUR cable jacket, 5-pole
RKM52-0,3-RSM52

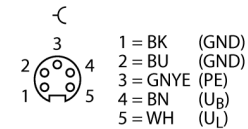


- Power cable: 5 x 1.5 mm²
- Jacket material: PUR, grey
- Jacket diameter: 8.5 mm
- Qualified for drag chain use
- Oil-resistant and flame-retardant
- Halogen-free
- 7/8" male, straight
- 7/8" female, straight
- Cable length: 0.3 m

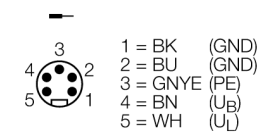
Conductor cross-section



pin configuration left



Pin assignment right



| | |
|----------------------------------------|--------------------------------------|
| Type code | RKM52-0,3-RSM52 |
| Ident no. | 6604743 |
| Connector A side | female connector, 7/8", straight |
| Number of pins | 5 |
| Contacts | metal, CuZn, gold-plated |
| Contact carriers | plastic, TPU, black |
| Grip | plastic, PUR, black |
| Coupling nut/screw | CuZn, nickel-plated |
| Protection class | IP67 |
| Connector B side | male connector, 7/8", straight |
| Number of pins | 5 |
| Contact carriers | plastic, TPU, black |
| Grip | plastic, PUR, black |
| Coupling nut/screw | metal, CuZn, nickel-plated |
| Protection class | IP67 |
| Cable | 52 |
| Cable type | power supply 5 x 1.5 mm ² |
| Cable diameter | 8.5mm |
| Cable length | 0.3m |
| Cable sheath | PUR, grey |
| Shield | no |
| Core insulation | PP |
| Core colors | BN, WH, BU, BK, GNYE |
| Core cross-section | 5x1.5mm ² |
| Litz wire arrangement | 84x0.15 mm |
| Nom. Impedance | - Ω |
| Core cross-section | 5x1.5mm ² |
| Rated current | 15 A |
| DC resistance | 13.3 Ω |
| Rated voltage [U_{max}] | 240 V |
| Ambient temperature at rest | -40 ... 90°C |
| In moving state | 0 ... 90°C |
| Approvals | - |
| Trailing capability | yes |
| resistance to oil | yes |
| halogen-free | yes |