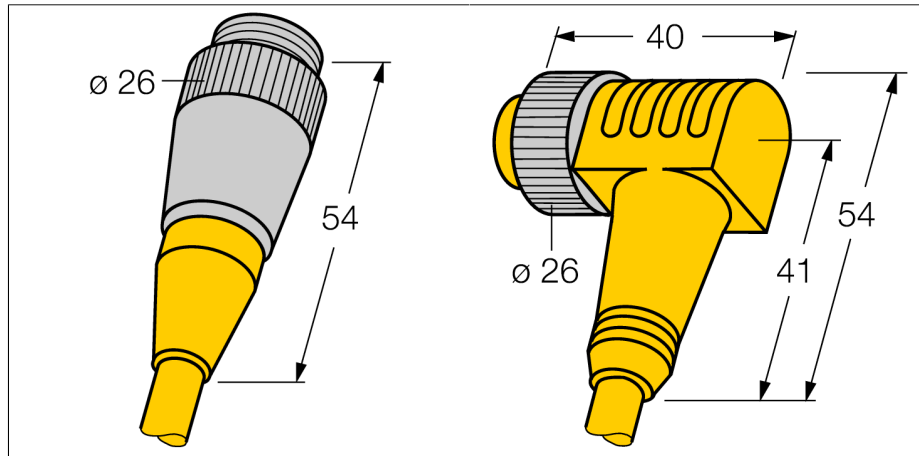


**connection cables**  
**7/8" male to female connector**  
**RSM-WKM61-2M**



- **robust and pre-assembled round connector**
- **plastic moulding**
- **Degree of protection IP67**
- **also available with different cable lengths and of different materials**

**Wiring diagram**



<b>Type code</b>	RSM-WKM61-2M
Ident no.	6915302
<b>Connector A side</b>	male connector, 7/8", straight
Number of pins	6
Contacts	metal, CuZn, gold-plated
Contact carriers	plastic, PUR, yellow
Grip	sealing via contact carriers plastic, TPU, yellow
Protection class	stainless steel coupling nut/screw available on request IP67, (screwed together)
<b>Connector B side</b>	female connector, 7/8", angled
Number of pins	6
Contact carriers	plastic, PUR, yellow
Contacts	sealing via contact carriers metal, CuZn, gold-plated
Grip	plastic, TPU, yellow
Coupling nut/screw	metal, CuZn, nickel-plated stainless steel coupling nut/screw available on request
Protection class	IP67, only in screwed state
<b>Cable diameter</b>	7.3 mm
Cable length	2m
Cable sheath	PVC, yellow
Core insulation	PVC
Core colors	GN, WH, BU, GY, YE, BN
Core cross-section	6x0.83mm <sup>2</sup>
Litz wire arrangement	19x0.25 mm
<b>Rated voltage [U<sub>max</sub>]</b>	300 V
Ampacity	9 A