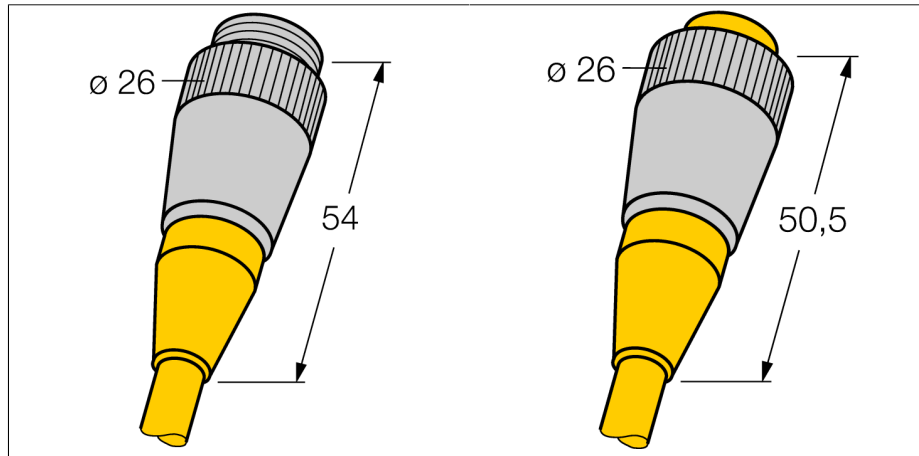
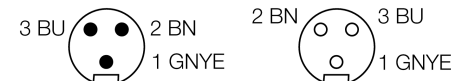


connection cables
7/8" male to female connector
RSM-RKM30-10M



- robust and pre-assembled round connector
- plastic moulding
- Degree of protection IP67
- also available with different cable lengths and of different materials

Wiring diagram



Type code	RSM-RKM30-10M
Ident no.	6915271
Connector A side	male connector, 7/8", straight
Number of pins	2+PE
Contacts	metal, CuZn, gold-plated
Contact carriers	plastic, PUR, yellow
Grip	sealing via contact carriers plastic, TPU, yellow
Protection class	stainless steel coupling nut/screw available on request IP67, (screwed together)
Connector B side	female connector, 7/8", straight
Number of pins	2+PE
Contact carriers	plastic, PUR, yellow
Contacts	sealing via contact carriers metal, CuZn, gold-plated
Grip	plastic, TPU, yellow
Coupling nut/screw	metal, CuZn, nickel-plated stainless steel coupling nut/screw available on request
Protection class	IP67, only in screwed state
Cable diameter	7.3 mm
Cable length	10m
Cable sheath	PVC, yellow
Core insulation	PVC
Core colors	GNYE, BN, BU
Core cross-section	2x0.83mm ²
Core cross-section PE	1x0.83mm ²
Litz wire arrangement	19x0.25 mm
Litz wire design PE	19x0.25mm
Rated voltage [Umax]	300 V
Ampacity	9 A