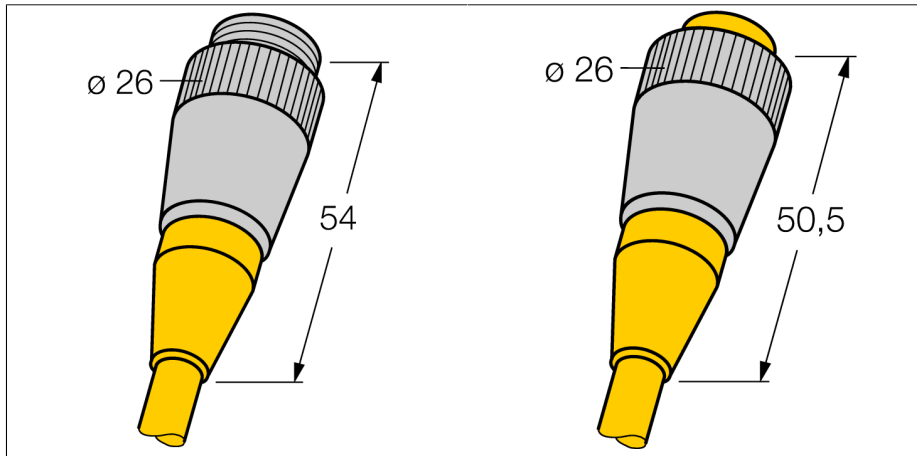


connection cables
7/8" male to female connector
RSM-RKM20-10M

- robust and pre-assembled round connector
- plastic moulding
- Degree of protection IP67
- also available with different cable lengths and of different materials

Wiring diagram



Type code	RSM-RKM20-10M
Ident no.	6915261
<hr/>	
Connector A side	male connector, 7/8", straight
Number of pins	2
Contacts	metal, CuZn, gold-plated
Contact carriers	plastic, PUR, yellow
Grip	sealing via contact carriers plastic, TPU, yellow
Protection class	stainless steel coupling nut/screw available on request IP67, (screwed together)
<hr/>	
Connector B side	female connector, 7/8", straight
Number of pins	2
Contact carriers	plastic, PUR, yellow
Contacts	sealing via contact carriers metal, CuZn, gold-plated
Grip	plastic, TPU, yellow
Coupling nut/screw	metal, CuZn, nickel-plated stainless steel coupling nut/screw available on request
Protection class	IP67, only in screwed state
<hr/>	
Cable diameter	7.3 mm
Cable length	10m
Cable sheath	PVC, yellow
Core insulation	PVC
Core colors	BN, BU
Core cross-section	2x0.83mm ²
Litz wire arrangement	19x0.25 mm
<hr/>	
Rated voltage [U_{max}]	300 V
Ampacity	9 A