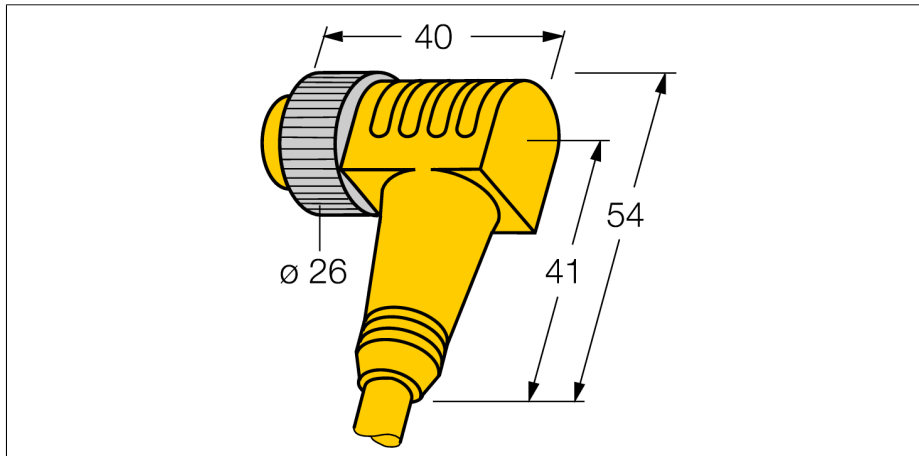


**7/8" round connector  
female connector 7/8"  
WKM20-5M**

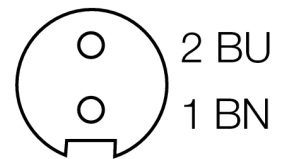
**TURCK**

Industrial  
Automation



- robust and pre-assembled round connector
- plastic moulding
- Degree of protection IP67
- also available with different cable lengths and of different materials

**Wiring diagram**



<b>Type code</b>	WKM20-5M
Ident no.	6915204
<b>Connector A side</b>	female connector, 7/8", angled
Number of pins	2
Contacts	metal, CuZn, gold-plated
Contact carriers	plastic, PUR, yellow
Grip	sealing via contact carriers plastic, TPU, yellow stainless steel coupling nut/screw available on request
Protection class	IP67, (screwed together)
	sealing via contact carriers stainless steel coupling nut/screw available on request
<b>Cable diameter</b>	7.3 mm
Cable length	5m
Cable sheath	PVC, yellow
Core insulation	PVC
Core colors	BN, BU
Core cross-section	2x0.83mm <sup>2</sup>
Litz wire arrangement	19x0.25 mm
<b>Rated voltage [U<sub>max</sub>]</b>	300 V
Insulation resistance	≥ 10 <sup>8</sup> Ω
Ampacity	9 A
Forward resistance	≤ 5 mΩ