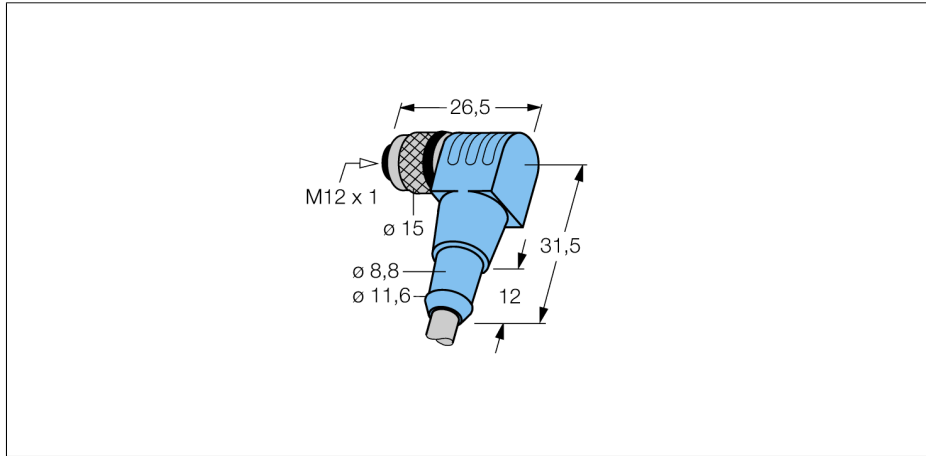
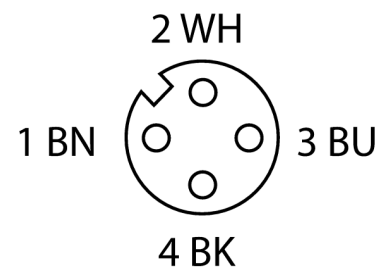


**M12 x 1 Round Connector  
Female Connector M12 x 1  
WWAK4.41-2/P00**



- robust and pre-assembled round connector
- plastic moulding
- Degree of protection IP67
- also available with different cable lengths and of different materials
- PVC cable
- suited to average mechanical stress

**Wiring diagram**



**Cable quality P00**

Pure PVC cable, resistant to average mechanical strain, for use in packaging machinery as well as assembly and production lines. Good resistance against acids and alkalis and thus suited for use in the food and beverage industry. Limited resistance to abrasion, conditional resistance to oils and chemicals.

<b>Type code</b>	WWAK4.41-2/P00
Ident no.	8014158
<b>Connector A side</b>	female connector, M12 x 1, angled
Number of pins	4
Contacts	metal, CuZn, gold-plated
Contact carriers	plastic, TPU, black
Grip	plastic, TPU, blue
Seal	plastic, FPM/FKM
Protection class	IP67, (screwed together)
Mechanical lifespan	> 100 mating cycles
Pollution degree	3
<b>Cable</b>	P00, LifYY-0
Cable diameter	5.2 mm
Cable length	2m
Cable sheath	PVC, blue
Core insulation	PVC
Core colors	BN, WH, BU, BK
Core cross-section	4x0.34mm <sup>2</sup>
Litz wire arrangement	43x0.1 mm
Bending radius (mobile)	min. 10 x Ø cable
<b>Rated voltage [Umax]</b>	250 V
Insulation resistance	≥ 10 <sup>9</sup> Ω
Ampacity	4 A
Forward resistance	≤ 5 mΩ
Ambient temperature Connector	-30... +90°C
Cable ambient temperature	-40... +80°C