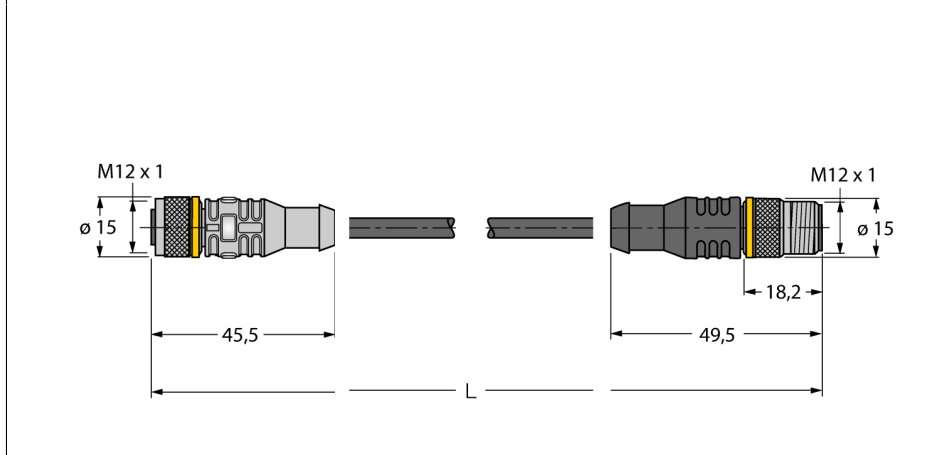
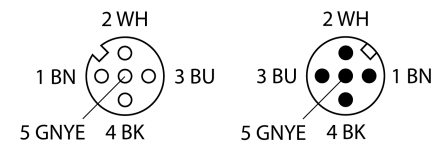


**Actuator/sensor cable, PVC
extension cable
RKC5T-P7X2-2-RSC5T/TEL**

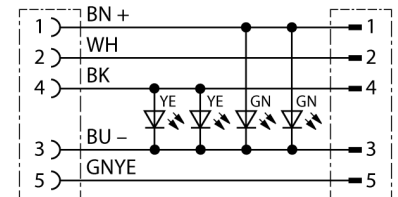


- Female M12, straight, 4-pin + PE
- With 2-color LED (PNP, yellow, green)
- Male M12, straight, 4-pin + PE
- Sheath material: PVC
- Sheath color: grey
- Resistant to chemicals and oils
- LABS-free
- Approval: cULus
- RoHS conform
- Protection class IP67
- Cable length: 2.0 m

Pin assignment



circuit diagram



Type code	RKC5T-P7X2-2-RSC5T/TEL
Ident no.	6627325
Connector A side	female connector, M12 x 1, straight
Number of pins	4 + PE
Contacts	metal, CuZn, gold-plated
Contact carriers	plastic, TPU, black
Grip	plastic, TPU, transparent
Coupling nut/screw	metal, CuZn, nickel-plated
Coupling nut/screw	metal
Protection class	IP67, only in screwed state
Operating voltage	LED green
Display switch state	LED yellow
Mechanical lifespan	> 100 mating cycles
Pollution degree	3
Tightening torque	0.8 ... 1 Nm (observe max. value of counter piece!)
Connector B side	male connector, M12 x 1, straight
Number of pins	4+PE
Contacts	metal, CuZn, gold-plated
Contact carriers	plastic, TPU, black
Grip	plastic, TPU, black
Coupling nut/screw	metal, CuZn, nickel-plated
Protection class	IP67, only in screwed state
Mechanical lifespan	> 100 contact durability
Pollution degree	3
Tightening torque	0.8 ... 1 Nm (observe max. value of counter piece!)
General data	
Cable diameter	Ø 5.5 mm +/-0.20
Cable length	2 m
Sheath color	PVC (grey)
Core insulation (colors)	PP (BN, WH, BU, BK, GNYE)
Core cross-section	5x0.34mm ²
Litz wire arrangement	42x0.1 mm
Electrical features at +20 °C	
Rated current	4 A
Rated voltage [U _{max}]	30 V
Insulation resistance	> 1 GΩ x km
Test voltage	2000 V

**Actuator/sensor cable, PVC
extension cable
RKC5T-P7X2-2-RSC5T/TEL**

TURCK

Industrial
Automation

Mechanical and chemical properties

Static Bending Radius	> 5 x Ø
Bending radius (flexible use)	> 10 x Ø
Ambient temperature at rest	-40 ... 105°C
In moving state	0 ... 80°C