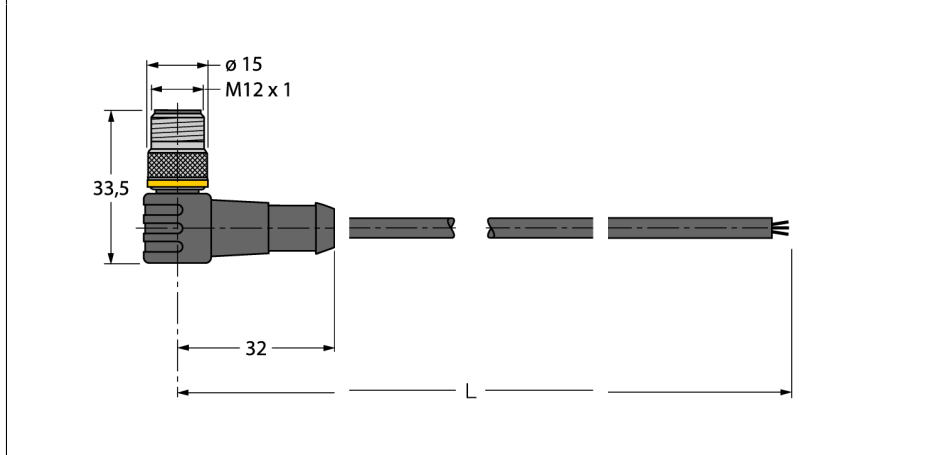
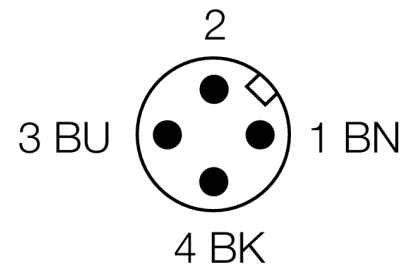


**Actuator/sensor cable, PVC
connection cable
WSC4T-10/TEL**

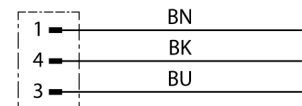


- Male M12, angled, 3-pin
- Sheath material: PVC
- Sheath color: black
- Resistant to chemicals and oils
- LABS-free
- Approval: cULus
- RoHS conform
- Protection class IP67
- Cable length: 10 m

Pin assignment



circuit diagram



| | |
|---|--|
| Type code | WSC4T-10/TEL |
| Ident no. | 6625048 |
| Connector A side | |
| Number of pins | male connector, M12 x 1, angled 3 |
| Contacts | metal, CuZn, gold-plated |
| Contact carriers | plastic, TPU, black |
| Grip | plastic, TPU, black |
| Coupling nut/screw | metal, CuZn, nickel-plated |
| Coupling nut/screw | metal |
| Protection class | IP67, only in screwed state |
| Mechanical lifespan | > 100 mating cycles |
| Pollution degree | 3 |
| Tightening torque | 0.8 ... 1 Nm (observe max. value of counter piece!) |
| General data | |
| Cable diameter | Ø 4.3 mm +/-0.20 |
| Cable length | 10 m |
| Sheath color | PVC (black) |
| Core insulation (colors) | PP (BN, BU, BK) |
| Core cross-section | 3x0.34mm ² |
| Litz wire arrangement | 42x0.1 mm |
| Electrical features at +20 °C | |
| Rated current | 4 A |
| Rated voltage [U _{max}] | 250 V |
| Insulation resistance | > 1 G.Ω x km |
| Test voltage | 2000 V |
| Mechanical and chemical properties | |
| Static Bending Radius | > 5 x Ø |
| Bending radius (flexible use) | > 10 x Ø |
| Ambient temperature at rest | -40 ... 105°C |
| In moving state | 0 ... 80°C |