

FEATURES

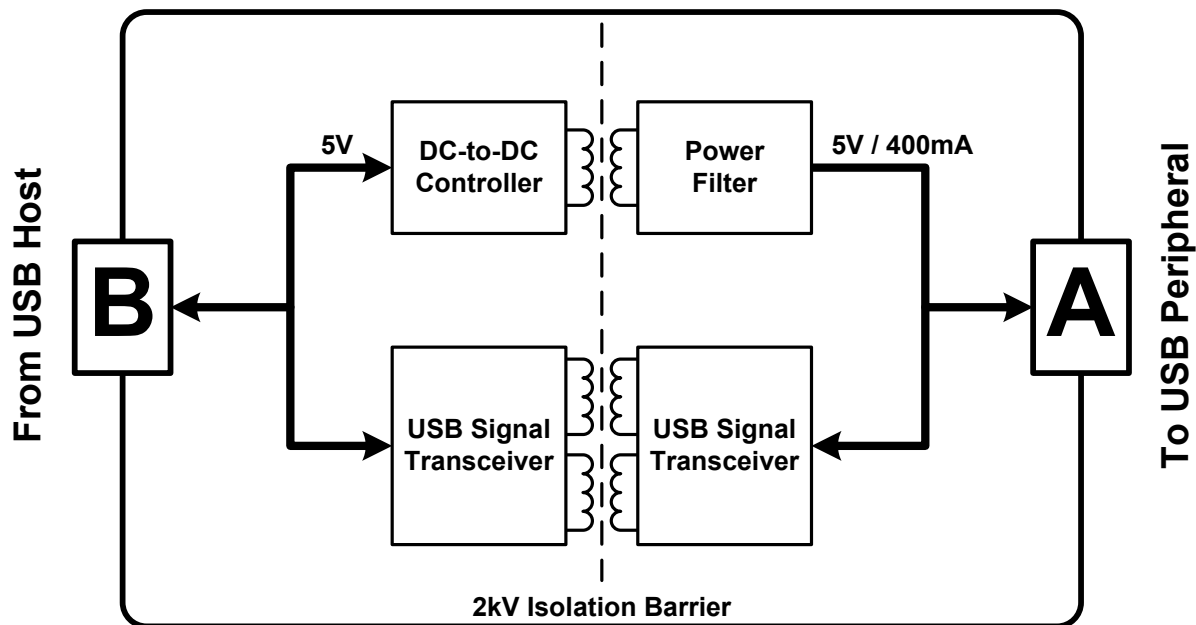
- Isolates a USB Peripheral from a USB Host
- Electrical Isolation up to 2000Vrms
- 5V Isolated Pass-thru Power up to 400mA
- No External Power Supply Required
- Supports USB 2.0 Full-Speed Data Rates
- Uses Standard USB A/B Cables
- No Configuration Required
- No Software or Drivers Required
- Invisible to the Host and Peripheral

GENERAL DESCRIPTION

The Keterex USB-150 Full Speed USB Isolator provides galvanic isolation between a USB peripheral and a USB host. The Isolator is connected between the host and peripheral using standard USB cables – no other software or configuration is required. In addition, the USB-150 provides an isolated 5V supply to the downstream peripheral device at up to 400mA.

The USB-150 is used in applications where either the peripheral device operates at a different ground potential than the host or where supply noise from the host needs to be eliminated. Any full-speed USB device can be isolated using the USB-150 and standard USB cables.

Keterex USB-150 Block Diagram



USB-150 Full Speed USB Isolator

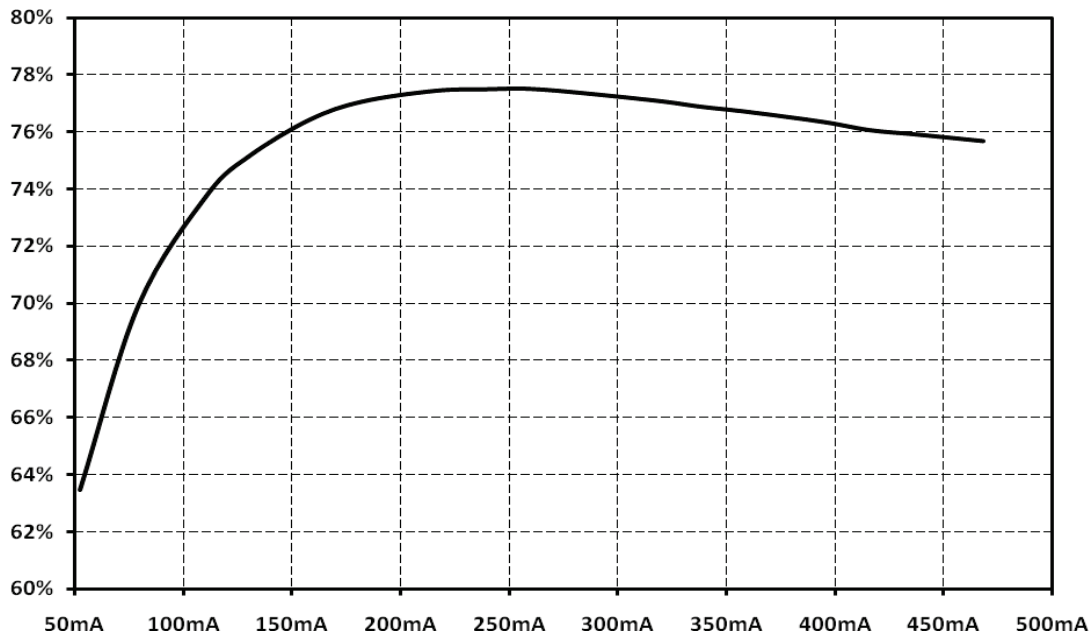
PERFORMANCE CHARACTERISTICS

Conditions unless otherwise noted: $4.75V \leq \text{Upstream VBUS} \leq 5.25V$, 25°C

PARAMETER	TEST CONDITIONS	MIN	TYP	MAX	UNITS
Electrical Isolation ¹	Duration = 1 minute	2000			V
Downstream VBUS	Load $\leq 400\text{mA}$	4.75		5.25	V
VBUS Short-circuit Duration		Inf.			sec
Downstream VBUS Ripple	Load = 100mA		± 0.2		%
	Load = 400mA		± 1.0		%
Common-Mode Transient Immunity	$V_{\text{CM}} = 1\text{kV}$; $V_{\text{TRAN}} = 800\text{V}$	25	35		kV/ μsec

¹Tested by applying 2250V for 1 sec

Typical VBUS Efficiency vs. Downstream Current



Contact Information

Keterex, Inc.
7320 N. MoPac Expressway
Suite 201
Austin, Texas 78731
Tel: 512-346-8800
www.keterex.com
Email: sales@keterex.com

Information furnished by Keterex, Inc. in this document is believed to be accurate and reliable. However, no responsibility is assumed for its use. Information in this document is subject to change without notice.

Trademarks: The Keterex name and logo are registered trademarks of Keterex Incorporated. Other products or brand names mentioned herein are trademarks or registered trademarks of their respective holders.