

GPTN2115

PHASE CONTROLLED SCR

High reliability operation
DC power supply
AC drives

| | |
|------------------------|---------------|
| VOLTAGE UP TO | 1600 V |
| AVERAGE CURRENT | 1150 A |
| SURGE CURRENT | 15 kA |

BLOCKING CHARACTERISTICS

| Characteristic | | Conditions | Value |
|------------------|---|--|--------|
| V _{RRM} | Repetitive peak reverse voltage | | 1600 V |
| V _{RSM} | Non-repetitive peak reverse voltage | | 1700 V |
| V _{DRM} | Repetitive peak off-state voltage | | 1600 V |
| I _{DRM} | Repetitive peak off-state current, max. | V _{DRM} , single phase, half wave, T _j = T _{jmax} | 50 mA |
| I _{RRM} | Repetitive peak reverse current, max. | V _{RRM} , single phase, half wave, T _j = T _{jmax} | 50 mA |

ON-STATE CHARACTERISTICS

| | | | |
|---------------------|--|--|------------------------|
| I _{T(AV)} | Average on-state current | Sine wave, 180° conduction, T _h = 55 °C | 1150 A |
| I _{T(RMS)} | R.M.S. on-state current | Sine wave, 180° conduction, T _h = 55 °C | 1806 A |
| I _{TSM} | Surge on-state current | Non rep. half sine wave, 50 Hz, V _R = 0 V, T _j = T _{jmax} | 15 kA |
| I ² t | I ² t for fusing coordination | | 1125 kA ² s |
| V _{T(TO)} | Threshold voltage | T _j = T _{jmax} | 0,933 V |
| r _T | On-state slope resistance | T _j = T _{jmax} | 0,302 mΩ |
| V _{TM} | Peak on-state voltage, max | On-state current I _T = 1500 A, T _j = T _{jmax} | 1,39 V |
| I _H | Holding current, max | T _j = 25 °C | 300 mA |
| I _L | Latching current, typ | T _j = 25 °C | 700 mA |

TRIGGERING CHARACTERISTICS

| | | | |
|--------------------|--------------------------------|--|--------|
| V _{GT} | Gate trigger voltage | T _j = 25 °C, V _D = 5 V | 3,0 V |
| I _{GT} | Gate trigger current | T _j = 25 °C, V _D = 5 V | 250 mA |
| V _{GD} | Non-trigger voltage | V _D = 67% V _{RRM} , T _j = T _{jmax} | 0,3 V |
| P _{GM} | Peak gate power dissipation | Pulse width 1 ms | 150 W |
| P _{G(AV)} | Average gate power dissipation | | 3 W |
| I _{FGM} | Peak gate current | | 10 A |
| V _{FGM} | Peak gate voltage (forward) | | 12 V |
| V _{RGM} | Peak gate voltage (reverse) | | 10 V |

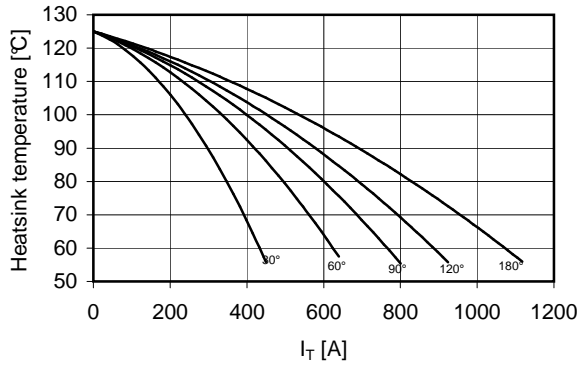
SWITCHING CHARACTERISTICS

| | | | |
|----------------|--|--|-----------|
| di/dt | Critical rate of rise of on-state current | Non rep. - T _j = T _{jmax} | 200 A/μs |
| dV/dt | Critical rate of rise of off-state voltage | T _j = T _{jmax} | 1000 V/μs |
| t _q | Turn-off time, typ | T _j = T _{jmax} , I _T = 2000 A, di/dt = -5 A/μs V _R = 200 V, V _D = 67% V _{DRM} , dV/dt = 20 V/μs | μs |

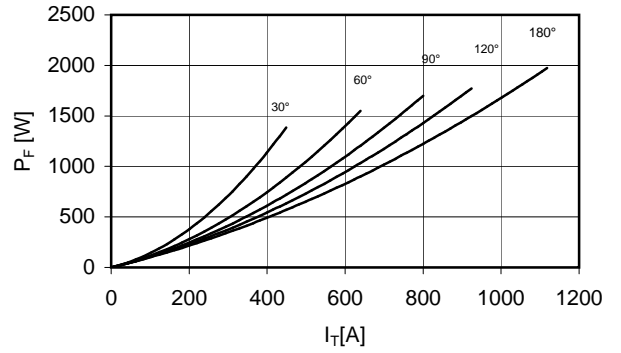
THERMAL AND MECHANICAL CHARACTERISTICS

| | | | |
|----------------------|---------------------------------------|--------------------|--------------|
| R _{th(j-c)} | Thermal resistance (junction to case) | Double side cooled | 0,030 °C/W |
| R _{th(c-h)} | Thermal resistance (case to heatsink) | Double side cooled | 0,007 °C/W |
| T _{jmax} | Max operating junction temperature | | 125 °C |
| T _{stg} | Storage temperature | | -40 / 125 °C |
| F | Clamping force ± 5% | | 12 kN |
| | Mass | | 300 g |

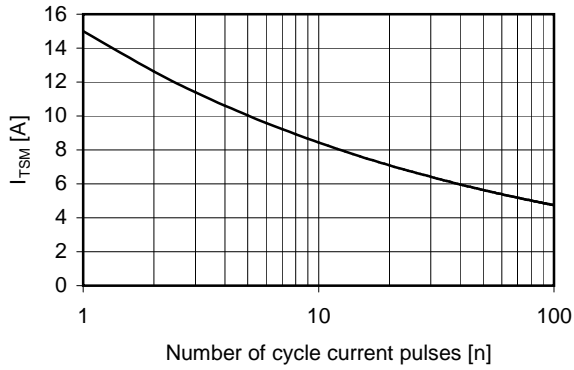
Current rating - sine wave



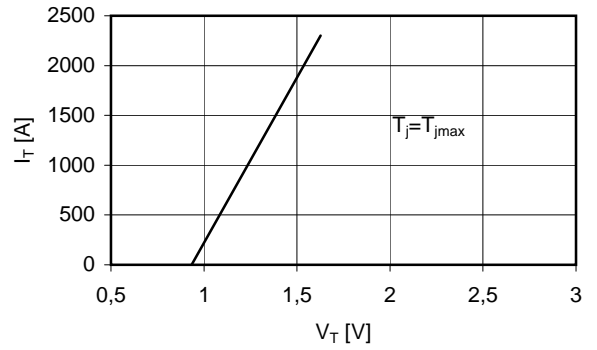
Power loss - sine wave



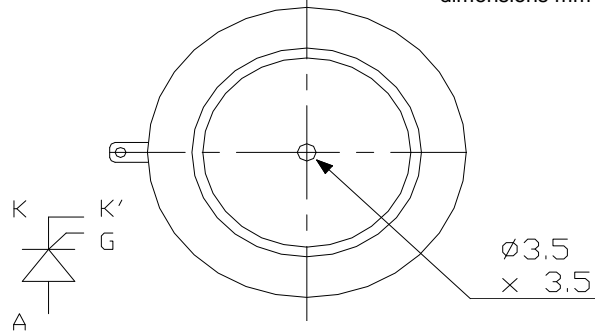
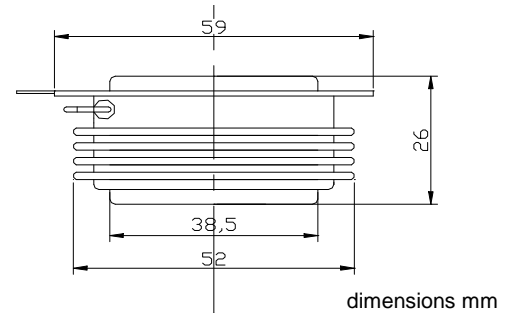
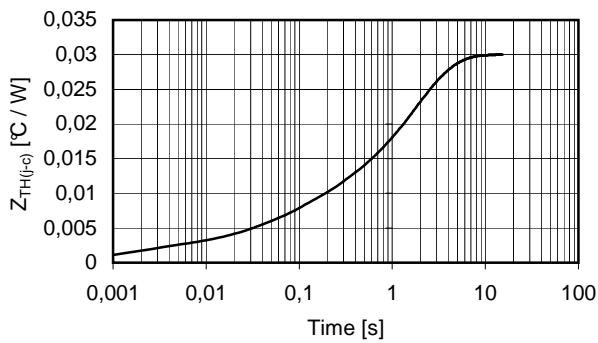
Maximum surge current d.s. cooled



On-state voltage drop



Thermal impedance (j-c)



In the interest of product improvement Green Power Solutions reserves the right to change any specification given in this data sheet without notice.