



1SS387

**85 Volts
 Switching Diode**

Features

- Halogen free available upon request by adding suffix "-HF"
- High speed switching diode
- Surface mount package
- For general purpose switching applications
- Marking: G
- Epoxy meets UL 94 V-0 flammability rating
- Moisture Sensitivity Level 1

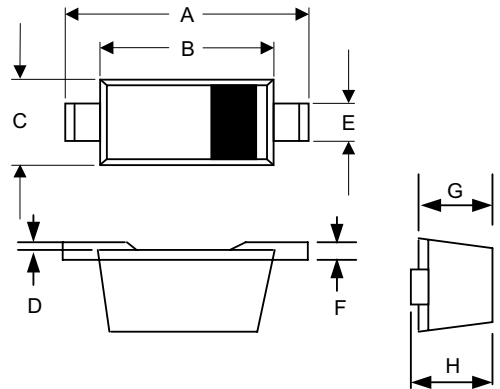
Mechanical Data

- Case: SOD-523, Molded Plastic
- Terminals: Solderable per MIL-STD-202, Method 208
- Polarity: Indicated by Cathode Band
- Lead Free Finish/RoHS Compliant("P" Suffix designates RoHS Compliant. See ordering information)

Maximum Ratings @ 25°C Unless Otherwise Specified

CHARACTERISTICS	SYMBOL	RATING	UNIT
Maximum Reverse Voltage	V _{RM}	85	V
Reverse Voltage	V _R	80	V
Average Forward Current	I _O	100	mA
Peak forward surge current(10ms)	I _{FSM}	1	A
Power Dissipation	P _d	150	mW
Junction Temperature	T _J	125	°C
Storage Temperature Range	T _{STG}	-55~125	°C

SOD-523



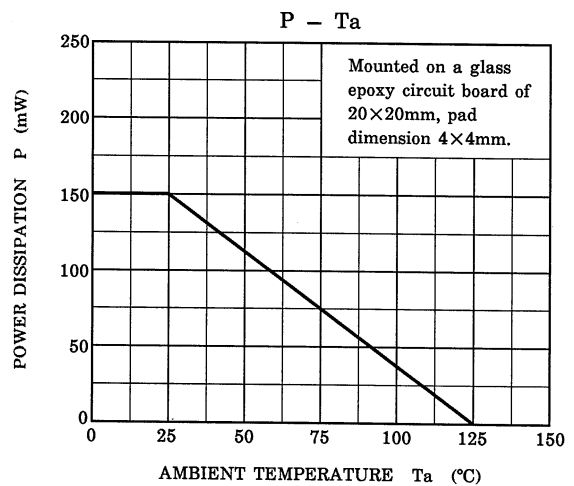
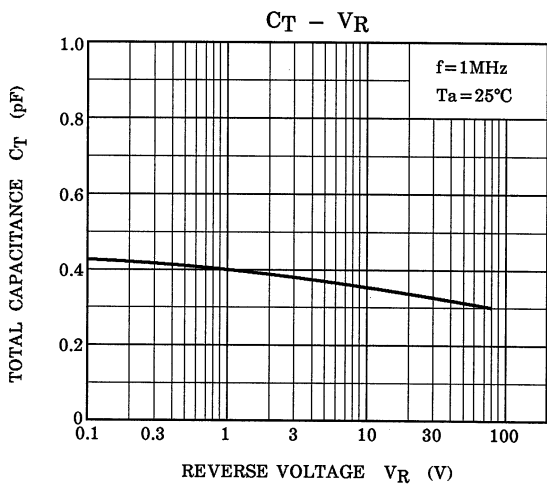
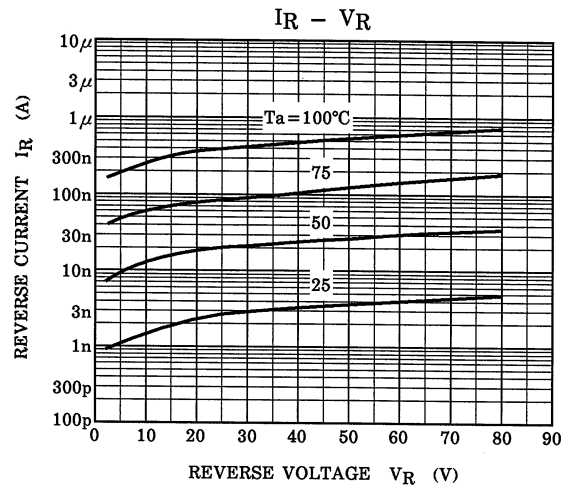
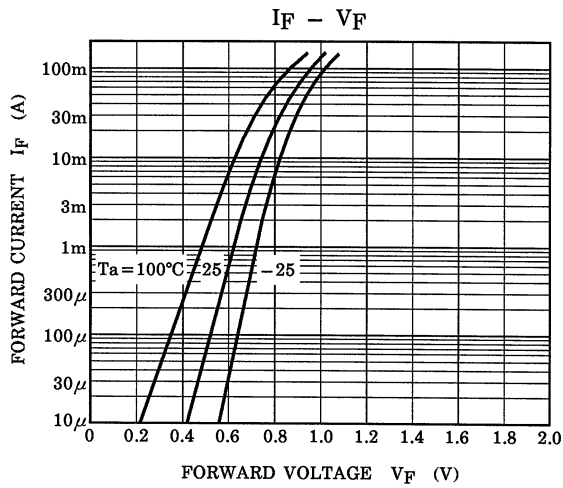
Electrical Characteristics @ 25°C Unless Otherwise Specified

CHARACTERISTICS	SYMBOL	Typ	Max	Unit	Conditions
Forward Voltage	V _F	0.62		V	I _F =1mA
		0.75			I _F =10mA
			1.20		I _F =100mA
Reverse Current	I _R		0.1	uA	V _R =30V
			0.5	uA	V _R =80V
Total Capacitance	C _T		3.0	pF	V _R =0V, f=1MHZ
Reverse recovery time	t _{rr}		4	ns	V _R =6V, I _F =10mA, R _L =100Ω

DIM	DIMENSIONS				NOTE
	INCHES		MM		
	MIN	MAX	MIN	MAX	
A	.059	.067	1.50	1.70	
B	.043	.051	1.10	1.30	
C	.030	.033	0.75	0.85	
D	.001	.003	0.01	0.07	
E	.010	.014	0.25	0.35	
F	.003	.006	0.08	0.15	
G	.020	.028	0.50	0.70	
H	.020	.031	0.51	0.77	

1SS387

Typical Characteristics





Micro Commercial Components

Ordering Information

Device	Packing
(Part Number)-TP	Tape&Reel;8Kpcs/Reel

Note : Adding "-HF" suffix for halogen free, eg. Part Number-TP-HF

IMPORTANT NOTICE

Micro Commercial Components Corp. reserves the right to make changes without further notice to any product herein to make corrections, modifications , enhancements , improvements , or other changes . **Micro Commercial Components Corp .** does not assume any liability arising out of the application or use of any product described herein; neither does it convey any license under its patent rights ,nor the rights of others . The user of products in such applications shall assume all risks of such use and will agree to hold **Micro Commercial Components Corp .** and all the companies whose products are represented on our website, harmless against all damages.

LIFE SUPPORT

MCC's products are not authorized for use as critical components in life support devices or systems without the express written approval of Micro Commercial Components Corporation.

CUSTOMER AWARENESS

Counterfeiting of semiconductor parts is a growing problem in the industry. Micro Commercial Components (MCC) is taking strong measures to protect ourselves and our customers from the proliferation of counterfeit parts. MCC strongly encourages customers to purchase MCC parts either directly from MCC or from Authorized MCC Distributors who are listed by country on our web page cited below. Products customers buy either from MCC directly or from Authorized MCC Distributors are genuine parts, have full traceability, meet MCC's quality standards for handling and storage. **MCC will not provide any warranty coverage or other assistance for parts bought from Unauthorized Sources.** MCC is committed to combat this global problem and encourage our customers to do their part in stopping this practice by buying direct or from authorized distributors.

www.mccsemi.com