



# 1SS357

## 45 Volt Switching Diode

### Features

- Halogen free available upon request by adding suffix "-HF"
- High speed switching diode
- Surface mount
- For general purpose switching applications
- Marking: S31
- Epoxy meets UL 94 V-0 flammability rating
- Moisture Sensitivity Level 1

### Mechanical Data

- Case: SOD-323, Molded Plastic
- Terminals: Solderable per MIL-STD-202, Method 208
- Polarity: Indicated by Cathode Band
- Lead Free Finish/RoHS Compliant ("P" Suffix designates RoHS Compliant. See ordering information)

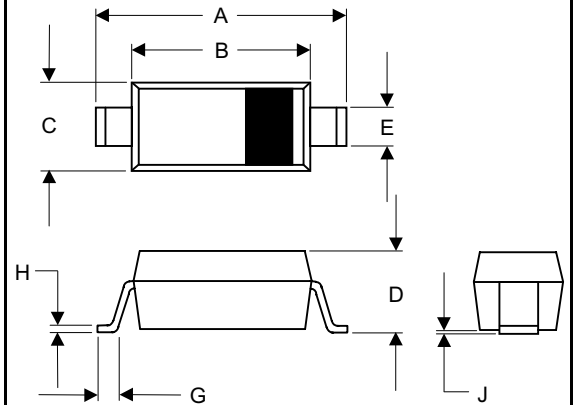
#### Maximum Ratings @ 25°C Unless Otherwise Specified

CHARACTERISTICS	SYMBOL	RATING	UNIT
Maximum Reverse Voltage	VRM	45	V
Reverse Voltage	VR	40	V
Average Forward Current	IO	100	mA
Peak forward surge current	IFSM	1	A
Power Dissipation	P	200	mW
Junction Temperature	TJ	125	°C
Storage Temperature Range	TSTG	-55~125	°C

#### Electrical Characteristics @ 25°C Unless Otherwise Specified

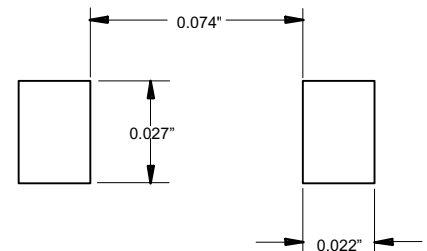
CHARACTERISTICS	SYMBOL	Typ	Max	Unit	Conditions
Forward Voltage	VF	0.28		V	IF=1 mA
		0.36			IF=10 mA
			0.6		IF=100 mA
Reverse Current	IR		5	uA	VR=40V
Total Capacitance	CT	18	25	PF	VR=0V, f=1MHZ

### SOD-323

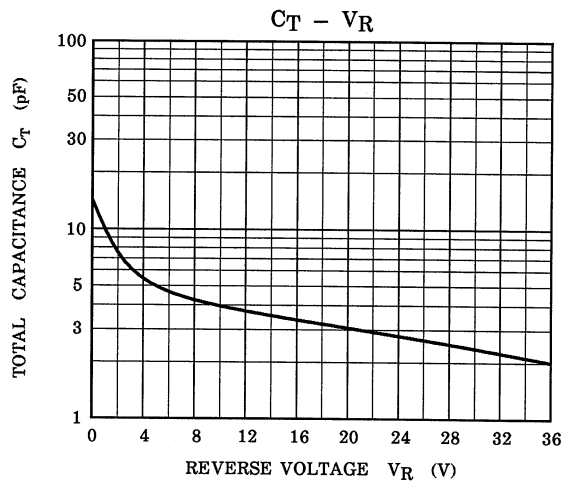
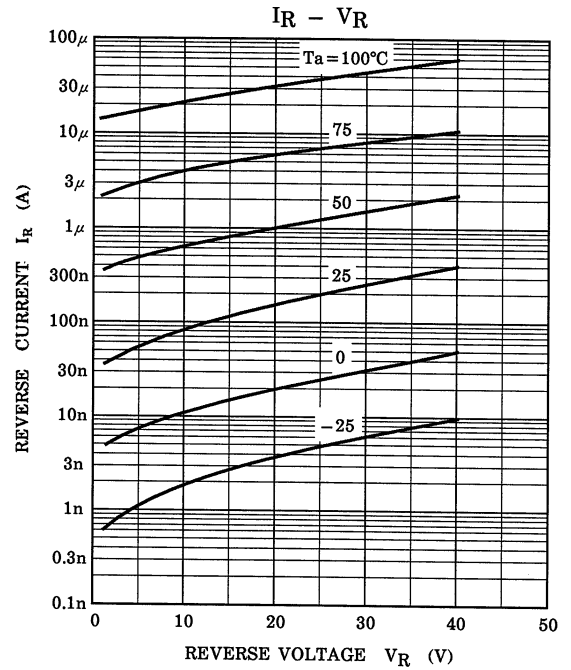
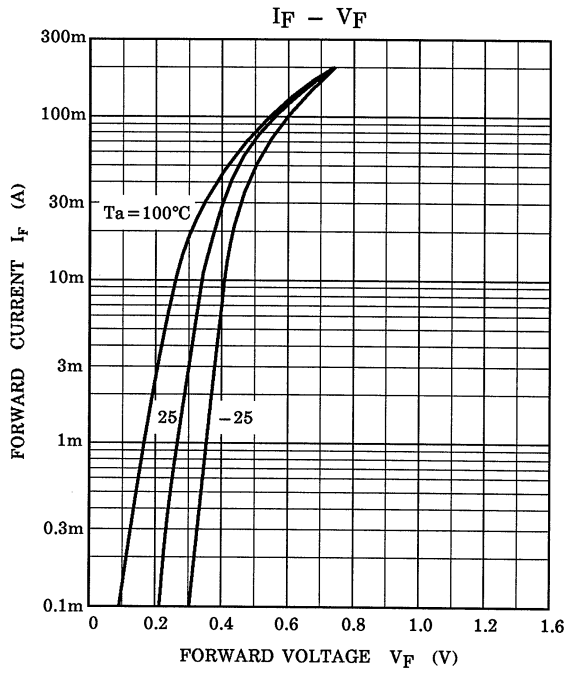


DIM	DIMENSIONS				NOTE
	INCHES		MM		
	MIN	MAX	MIN	MAX	
A	.090	.107	2.30	2.70	
B	.063	.071	1.60	1.80	
C	.045	.053	1.15	1.35	
D	.031	.045	0.80	1.15	
E	.010	.016	0.25	0.40	
G	.004	.018	0.10	0.45	
H	.004	.010	0.10	0.25	
J	-----	.006	-----	0.15	

#### SUGGESTED SOLDER PAD LAYOUT



**1SS357**





Micro Commercial Components

## Ordering Information

Device	Packing
(Part Number)-TP	Tape&Reel;3Kpcs/Reel

Note : Adding "-HF" suffix for halogen free, eg. Part Number-TP-HF

### \*\*\*IMPORTANT NOTICE\*\*\*

**Micro Commercial Components Corp.** reserves the right to make changes without further notice to any product herein to make corrections, modifications , enhancements , improvements , or other changes . **Micro Commercial Components Corp .** does not assume any liability arising out of the application or use of any product described herein; neither does it convey any license under its patent rights ,nor the rights of others . The user of products in such applications shall assume all risks of such use and will agree to hold **Micro Commercial Components Corp .** and all the companies whose products are represented on our website, harmless against all damages.

### \*\*\*LIFE SUPPORT\*\*\*

MCC's products are not authorized for use as critical components in life support devices or systems without the express written approval of Micro Commercial Components Corporation.

### \*\*\*CUSTOMER AWARENESS\*\*\*

Counterfeiting of semiconductor parts is a growing problem in the industry. Micro Commercial Components (MCC) is taking strong measures to protect ourselves and our customers from the proliferation of counterfeit parts. MCC strongly encourages customers to purchase MCC parts either directly from MCC or from Authorized MCC Distributors who are listed by country on our web page cited below. Products customers buy either from MCC directly or from Authorized MCC Distributors are genuine parts, have full traceability, meet MCC's quality standards for handling and storage. **MCC will not provide any warranty coverage or other assistance for parts bought from Unauthorized Sources.** MCC is committed to combat this global problem and encourage our customers to do their part in stopping this practice by buying direct or from authorized distributors.

[www.mccsemi.com](http://www.mccsemi.com)