

L1: 3D Mock up of personal one to one telepresence solution

Lumina Telepresence L1

Accomplish your work faster and more effectively with personal one to one, mobile telepresence. Intended for effective collaboration with the vital eye contact and clear conveyance of emotion, the L1 is built as a mobile telepresence station with multi-way HD quality telepresence and first class audio. The L1 is meant for participants to use mobile devices such as laptops to instantly join telepresence sessions.

Collaborative Telepresence

Extending this natural environment for communication, BrightCom's Visual Collaboration System 2.0 provides telepresence meeting administration, scheduling, firewall NAT traversal and a full suite of interactive data sharing functions. Alongside multiple data broadcasts, VCS can display up to 16 video displays with an unlimited amount of participants connecting from telepresence and video conferencing solutions around the world.

TELEPRESENCE SERIES

BrightCom's Lumina Telepresence series is the next step in telecommunication technology. Offering fully integrated HD video and data conferencing solutions, Lumina Telepresence delivers a complete immersive conference experience. With the natural feeling of face to face communication you can personally engage and collaborate with your teammates, customers, and colleagues around the world.

Natural Immersive Design

- Immersive mobile telepresence for one to one collaboration
- Multi-camera technology for natural eye contact
- Spatial audio to enrich the natural setting for conversation
- Work desk integrates 19" component rack mount, and pop up panel for network and power plugs

Components

- Lumina Telepresence console supporting HD up to 1080p
- One 42" LCD monitor
- One HD camera
- Spatial audio technology
- Collaborative desk, backdrop and private enclosure with built-in telepresence equipment

Features at a Glance

- Telepresence and web conferencing interoperable with BrightCom conferencing and other systems via SIP
- Capable of conducting multiple and simultaneous meetings
- Share and interact with any type of business data in native format
- Configurable real-time bandwidth options
- Intuitive, multi-panel display for video and data
- HD quality video & CD quality audio

*Requires Visual Collaboration System
No MCU Required*



Lumina Telepresence L1

Unit Contents:

L1: Lumina Telepresence (Codec) Console, one 42" HD LCD monitors, one HD cameras, spatial audio technology, speakers, cabling, immersive workstation including desk with network and power ports, 19" component rack mount in desk, touch screen panel display for meeting control and administration

Audio Specifications

Spatial audio technology for immersive environment
G.722 Compression
CD-Quality
Audio Mixer
Wide Band and Ultra-Wide Band Acoustic Echo Cancellation
Background noise reduction
Audio/Video Synchronization
Stereo speakers and microphone

Video Inputs

1 x RCA/Phono, composite
Optional HDMI Adapter

Video Outputs

1 / DVI

Video Specifications

HDTV up to 1080p @ 30fps
Optional 720p, 576p, 576i, 480p, 480i (@30-fps) video resolution
H.264 Compression
User interface resolution: HD 1080p
Picture-in-Picture (local video preview)

Bandwidth

1080p@60fps - 5.2 Mbps per stream
1080p@30fps - 2.6 Mbps per stream
720p@60fps - 2.5 Mbps per stream
720p@30fps - 1 Mbps per stream
Dynamically scalable bandwidth. Bandwidth adjust intuitively to fit system broadcast requirements.

Network Interfaces

1 x LAN/Ethernet (RJ-45) 10/100/1000
Mbit for network connection

Connectivity

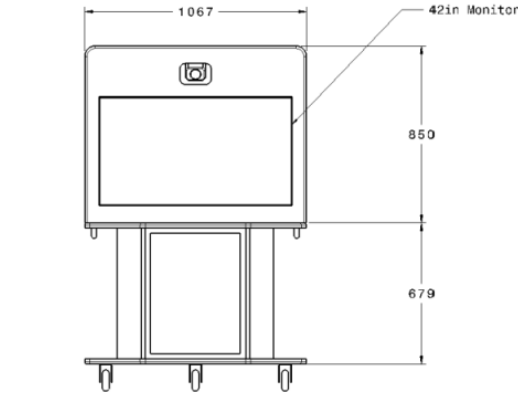
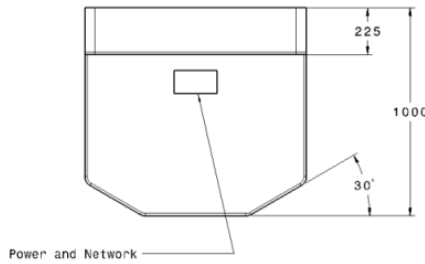
Static IP Address
DHCP
Firewall/NAT Traversal
Proxy Traversal

Administration

Minimal local administration is done through the touch panel display user Interface
Most administration may be performed through a web-based interface hosted by the BrightCom Visual Collaboration System

BrightCom, Inc.

5811 McFadden Ave.
Huntington Beach, CA 92649
Tel: 877-483-9737
Fax: 714-901-2056
Email: Sales@BrightCom.com



L1: Above - Birds-eye-view of L1. Bottom left - Front view of L1. Bottom Right - Side view of L1. All dimensions in millimeters.

HD Camera

High Definition Resolution
1080/59.94i
Lens: f=3.4mm-33.9mm, F=1.8-2.1
0.1 Lux
10x Optical Zoom, 40x Digital Zoom
Horizontal View Angle: 70°
Minimum Object Distance: 100mm
Video outputs: RCA, S-Video
6 Presets
Auto or manual focus/brightness/whitebalance

Multi-way Conferencing

Multi-way video conferencing with participants requiring no MCU
Conduct multiple and simultaneous meetings
Desktop as well as conference room participants may interconnect

User Interface

Touch panel display for meeting control and admin built into work desk
User-friendly graphical interface
Dialing/ Answering
Multi-way conference calling
Automatically populated address book no call/phone number setup required
Awareness: remote user status, description, time, and time zone
"Do Not Disturb" option
Configuration options for IP Address and administration
Single environment for Data and Video Conferencing
Intuitive multi-screen management of video and data screens

Directory Integration for Desktop Users

LDAP
Optional Integrated Directory

Security

AES encryption on all audio and video data
SSH security protocol applied on all other forms of communication
Administration password required

Firmware Updates

Updates applied on the Visual Collaboration System are automatically distributed to Lumina Telepresence (Codec) Consoles
Benefits include: new features and performance upgrades

Supported Standards

H.264, G.722, VISCA, RTP(RFC 1889), RTSP (RFC 2326), Tunneled-RTSP (RFC 2326), SDP (RFC 2327), XML-RPC, AES, SSH, MD-5. HTTP, TCP, UDP, DHCP, SIP

Power

100-250 VAC, 50-60Hz

Physical Dimensions

1067mm X 1000mm X 1529mm

Minimum Space Requirement

1067mm X 1000mm

Ceiling Height

1529mm

Minimum Requirements

1 x Visual Collaboration System
10Mbit IP Network Connection

Recommend Deployment

MPLS (or similar) enabled network for optimal bandwidth performance
Adequate lighting for optimal camera performance

All specifications are subject to change without notice.
Specifications may vary between model versions.
Actual products may differ from images representing them in these documents.