

# ASC664

### Features: (typical values)

- High Gain .....16dB
- Medium Noise Figure ..... 6.0 dB.
- Medium Output Power ..... +16.0 dBm.
- High Reliability
- ASC664F for Hermetic Package (Surface Mount available)
- ASC664C for SMA-F connectorized

**10-4000 MHz  
Wideband Amplifier  
Gain Block  
Super Low Cost  
Super Gain Flatness**

### Maximum Ratings

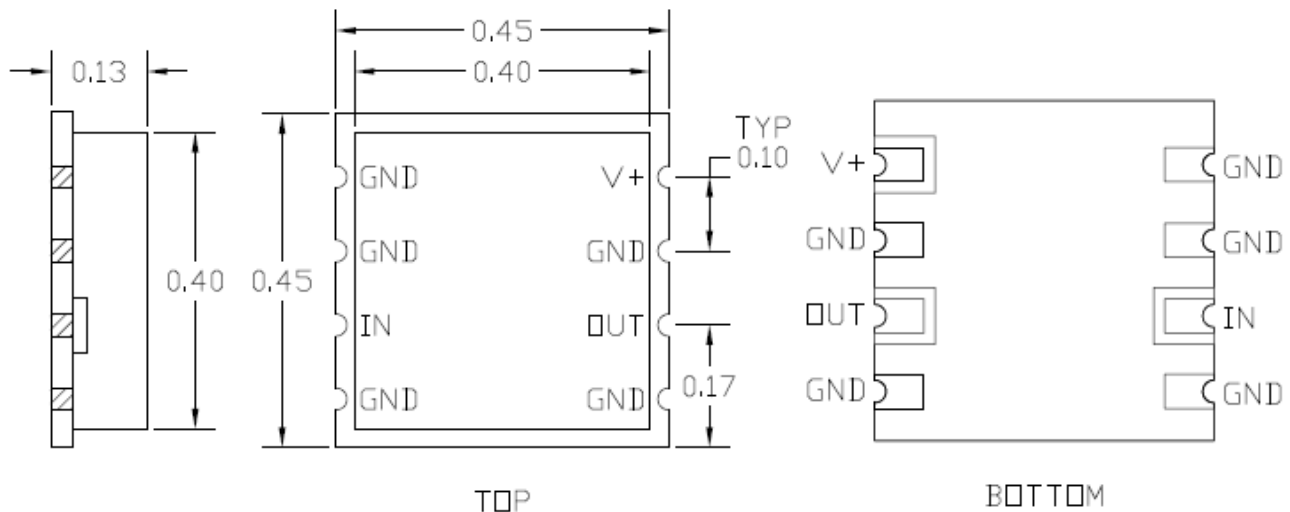
Storage Temperature ..... -62°C to +125°C  
 DC Voltage ..... +7 volts  
 RF Input Power ..... +13.0 dBm.  
 Case Temperature ..... +100°C



Specifications (Referenced to 50 ohms)

Parameter	Typical Conditions	Min Value	Max Value	Units
Frequency		10	4000	MHz.
Gain	17.0	16.0		dB.
Gain Flatness	±0.2		±0.5	dB.
Gain Var. over temp	0.6			ΔdB.
Pout @ 1dB Comp	+15.5	+14.5		dBm.
Noise Figure 20-4000MHz	6.0		7.0	dB.
Reverse Isolation	20			dB.
IP <sub>3</sub> /IP <sub>2</sub> (two-tone)*	28/38	26/35		dBm.
HIP2 (2 <sup>nd</sup> harm.)	42.0			dBm.
VSWR In/Out	1.8:1		2.0:1	
Supply Required	+5/90		+5/100	v/mA.

Min. and max. values are from 0°C to +85°C  
 \*IP<sub>3</sub> and IP<sub>2</sub> are in band output intercept points



**Typical Performance Curves**

-■- -55°C -◆- +25°C -▲- +85°C

