



WPTV248ULCB

**Overview**

WPTV248ULCB provides 24VAC or 28VAC distributed via eight (8) Class 2 Rated PTC protected power limited outputs for powering CCTV Cameras, heaters and other video accessories.

**Specifications****Input:**

- 115VAC, 50/60Hz, 0.9 amp.

**Output:**

- Eight (8) Class 2 Rated PTC protected power limited outputs.
- 24VAC @ 3.5 amp (85VA) supply current (0.438 amp per device, 3.5 amp max.)
- or 28VAC @ 3 amp (85VA) supply current (0.375 amp per device, 3.5 amp max.).
- Outputs are rated @ 3.5 amp.
- Surge suppression.

**Electrical:**

- Operating temperature: 0° C to 49° C ambient.
- BTU/Hr.: 42.99 BTU/Hr.

**Electrical (cont'd):**

- System AC input VA requirement: 103.5VA.

**Features:**

- Secondary fuse rated @ 5 amp/250V.
- AC power LED.
- Power ON/OFF switch.
- NEMA 4 Rated enclosure for outdoor use.

**Mechanical:**

- Enclosure Dimensions (H x W x D approx.): 12" (304.8mm) x 8" (203.2mm) x 6" (152.4mm).
- Product weight (approx.): 12.4 Lbs (5.624 kg).
- Shipping weight (approx.): 13.4 Lbs (6.078 kg).

**Agency Approvals**

UL Listed for Commercial CCTV Equipment (UL 2044).



European Conformity



CUL Listed - CSA Standard C22.2 No.1-98, Audio, Video and Similar Equipment.

**PMK1 Pole Mount Kit (order separately)**

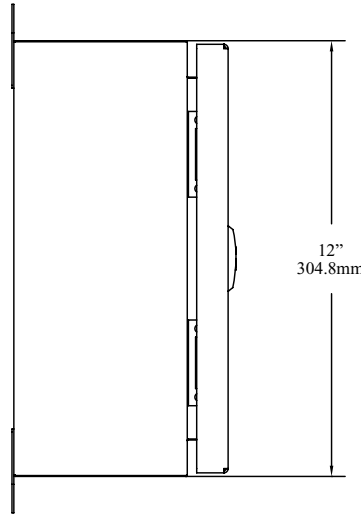
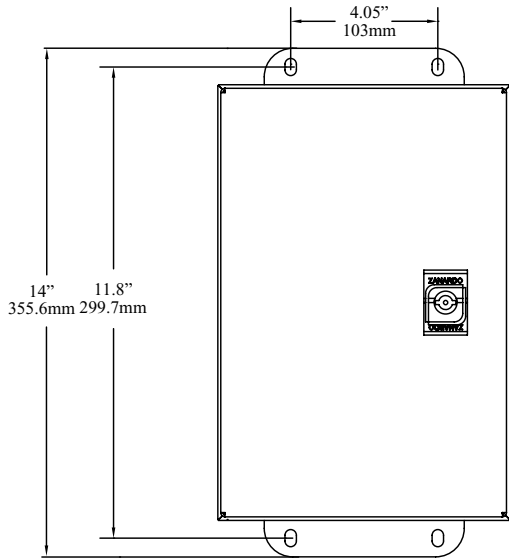
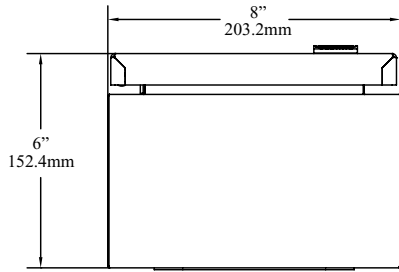
PMK1

PMK1 pole mount kit is designed to simplify installation of outdoor units.

- Accommodates 2"- 8"(diameter) poles.
- Kit includes:
  - Two (2) powder coated steel mount brackets.
  - Four (4) stainless steel bolts.
  - Four (4) stainless steel lock washers.
  - Two (2) wormgear quick release straps.

**Enclosure Dimensions (H x W x D) (approximate):**

12" (304.8mm) x 8" (203.2mm) x 6" (152.4mm)



← MOUNTING PANEL GALVANIZED

