



WPTV248UL

Overview

WPTV248UL provides 24VAC or 28VAC distributed via eight (8) fuse protected power limited outputs for powering CCTV Cameras, heaters and other video accessories.

Specifications

Input:

- 115VAC, 50/60Hz, 0.9 amp.

Output:

- Eight (8) fuse protected outputs.
- 24VAC @ 3.5 amp (85VA) supply current
(0.438 amp per device, 3.5 amp max.)
- or 28VAC @ 3 amp (85VA) supply current
(0.375 amp per device, 3.5 amp max.).
- Outputs are rated @ 3.5 amp.
- Surge suppression.

Electrical:

- Operating temperature: 0° C to 49° C ambient.
- BTU/Hr.: 42.99 BTU/Hr.
- System AC input VA requirement: 103.5VA.

Features:

- Secondary fuse rated @ 5 amp/250V.
- AC power LED.
- Power ON/OFF switch.
- Spare fuses provided.
(all models w/primary and/or secondary fuses).
- NEMA 4 Rated enclosure for outdoor use.

Mechanical:

- Enclosure Dimensions (H x W x D approx.):
12" (304.8mm) x 8" (203.2mm) x 6" (152.4mm).
- Product weight (approx.): 12.4 Lbs (5.624 kg).
- Shipping weight (approx.): 13.4 Lbs (6.078 kg).

Agency Approvals



UL Listed for Commercial CCTV Equipment
(UL 2044).



European Conformity



CUL Listed - CSA Standard C22.2 No.1-98,
Audio, Video and Similar Equipment.

PMK1 Pole Mount Kit (order separately)



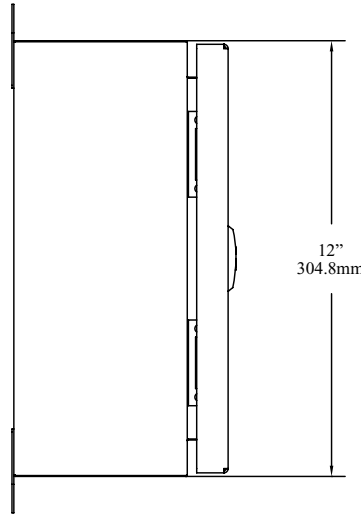
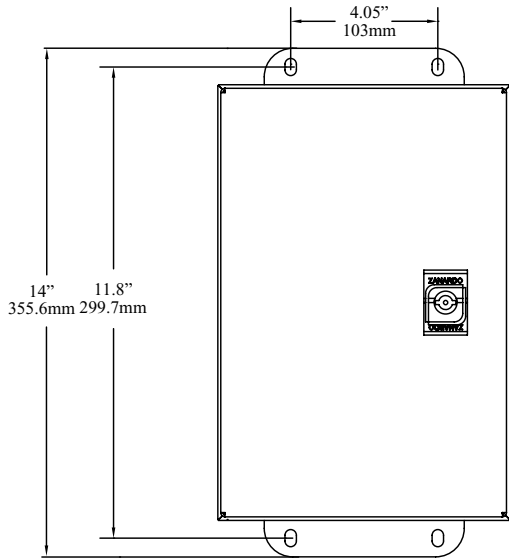
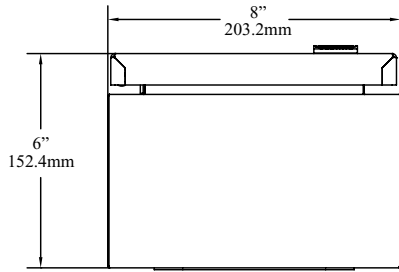
PMK1

PMK1 pole mount kit is designed to simplify installation of outdoor units.

- Accommodates 2"- 8"(diameter) poles.
- Kit includes:
 - Two (2) powder coated steel mount brackets.
 - Four (4) stainless steel bolts.
 - Four (4) stainless steel lock washers.
 - Two (2) wormgear quick release straps.

Enclosure Dimensions (H x W x D) (approximate):

12" (304.8mm) x 8" (203.2mm) x 6" (152.4mm)



← MOUNTING PANEL GALVANIZED

