

### **Overview**



WPTV244300UL

WPTV244300UL provides power via four (4) protected outputs for CCTV cameras, heaters and other video accessories.

### **Specifications**

**Input:**

- 115VAC, 50/60Hz, 2.7 amp.

**Output:**

- Four (4) protected outputs:
  - One (1) fuse protected non-power limited output rated at 15 amp/32VA.
  - Three (3) Class 2 Rated PTC protected power limited outputs rated @ 2.5 amp.
- 24VAC @ 12.5 amp (300VA) supply current or 28VAC @ 10 amp (280VA) supply current
- Surge suppression.

**Electrical:**

- Operating temperature: 0° C to 49° C ambient.
- BTU/Hr.: 24VAC: 153.54 BTU/Hr.  
28VAC: 143.31 BTU/Hr.
- System AC input VA requirement: 310.5VA.

**Features:**

- AC power LED.
- Illuminated power disconnect circuit breaker with manual reset.
- Spare fuses provided.
- NEMA 4 Rated enclosure for outdoor use.

**Mechanical:**

- Enclosure Dimensions (H x W x D approx.): 12" (305mm) x 7.75" (197mm) x 4.5" (114mm).
- Product weight (approx.): 15.5 lbs. (7.03 kg).
- Shipping weight (approx.): 16.4 lbs. (7.28 kg).

### **Agency Approvals**



UL Listed for Commercial CCTV Equipment (UL 2044).



CUL Listed - CSA Standard C22.2 No.1-98, Audio, Video and Similar Equipment.



European Conformity

### **PMK1 Pole Mount Kit (order separately)**



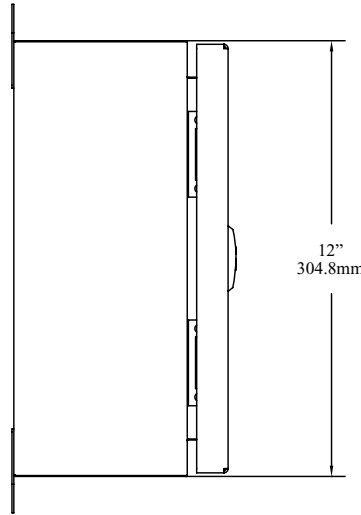
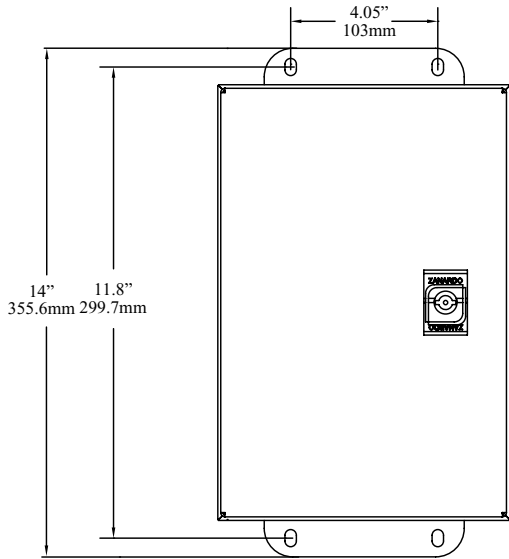
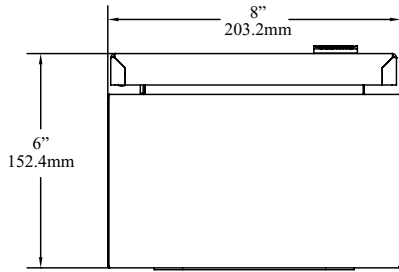
PMK1

PMK1 pole mount kit is designed to simplify installation of outdoor units.

- Accommodates 2"- 8"(diameter) poles.
- Kit includes:
  - Two (2) powder coated steel mount brackets.
  - Four (4) stainless steel bolts.
  - Four (4) stainless steel lock washers.
  - Two (2) wormgear quick release straps.

**Enclosure Dimensions (H x W x D) (approximate):**

12" (304.8mm) x 8" (203.2mm) x 6" (152.4mm)



← MOUNTING PANEL GALVANIZED

