

Overview



WayPoint-10A

WAYPOINT[™]

WayPoint-10A Outdoor Power Supply provides 24VAC and/or 28VAC distributed via one or two output(s) for powering CCTV Cameras, heaters and other video accessories.

Specifications

Input:

- Input: 115VAC, 50/60Hz, 1.2 amp or 230VAC, 50/60Hz, 0.7 amp.

Output:

- Output options:
 - a. 24VAC @ 4 amp max.
 - b. 28VAC @ 3.5 amp max.
 - c. Both 24VAC and 28VAC not to exceed 3.5 amp max.
- Output fuses rated @ 5A 250V.

Electrical:

- Operating Ambient Temperature: -20° C to 50° C.
- 50.16 BTU/Hr.
- System AC input VA requirement:
 - 115VAC: 138VA.
 - 230VAC: 161VA.


Features:

- Individual power output LEDs.
- Spare fuses included.

Mechanical:

- NEMA 4/4X, IP66-11 Rated enclosure for outdoor use.
- Lightweight molded fiberglass reinforced polyester enclosure is corrosion resistant and does not contain halogens.
- Lockable stainless steel latches.
- Integral flanges simplify wall or pole mounting.
- Enclosure Dimensions (H x W x D approx.): 13.31" (338.074 mm) x 11.31" (287.274 mm) x 5.59" (141.986 mm).
- Product weight (approx.): 11.45 lbs. (5.19 kg).
- Shipping weight (approx.): 12.75 lbs. (5.78 kg).

Agency Approvals

 European Conformity

PMK1 Pole Mount Kit (order separately)

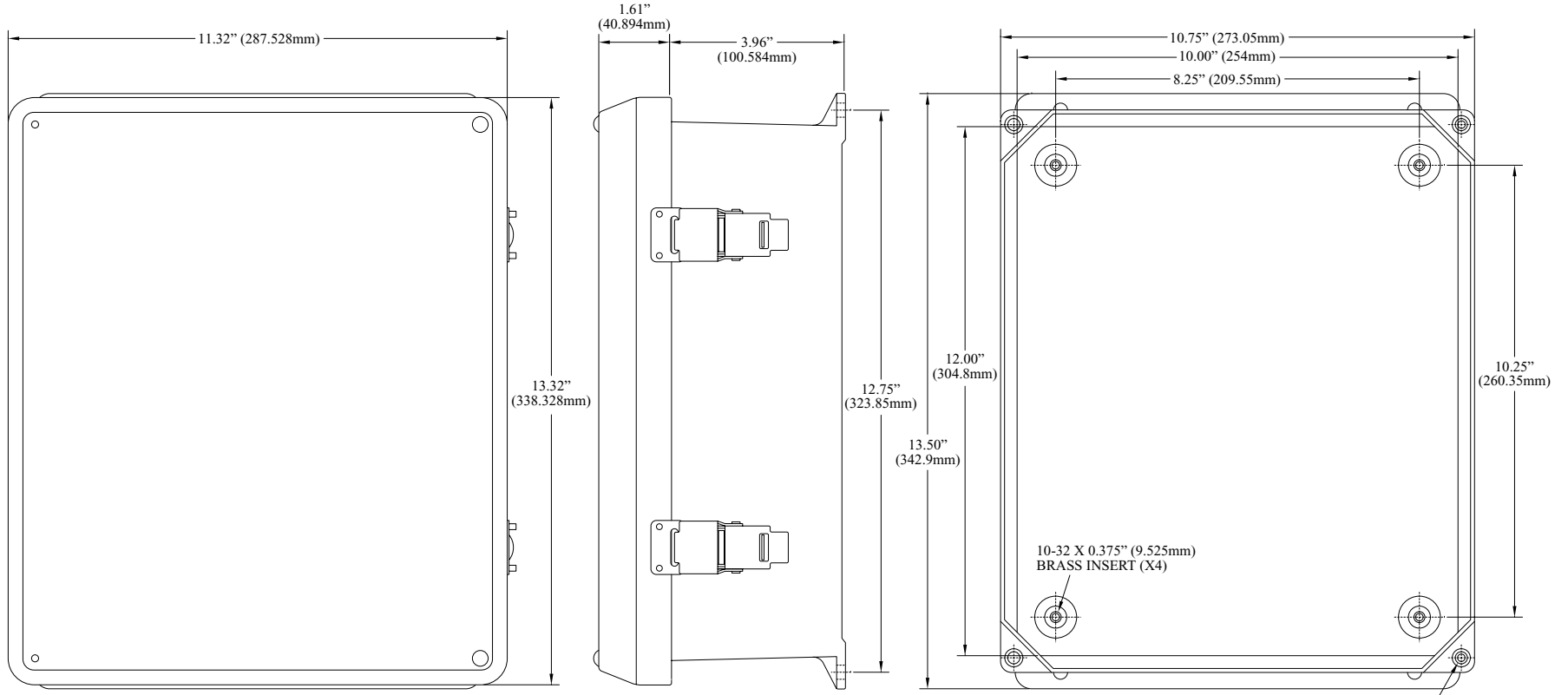


PMK1

PMK1 pole mount kit is designed to simplify installation of outdoor units.

- Accommodates 2"- 8"(diameter) poles.
- Kit includes:
 - Two (2) powder coated steel mount brackets.
 - Four (4) stainless steel bolts.
 - Four (4) stainless steel lock washers.
 - Two (2) wormgear quick release straps.

Enclosure Dimensions (H x W x D):
 13.31" (338.074 mm) x 11.31" (287.274 mm) x 5.59" (141.986 mm)



10-32 X 0.375" (9.525mm)
 BRASS INSERT (X4)

10-32 X 0.25" (6.35mm)
 BRASS INSERT (X2)

