

Overview



WayPoint-7

WayPoint-7 DC Outdoor Power Supply/Charger provides 12VDC or 24VDC and is designed to be conveniently located where power is required.



Specifications

Input:

- Input: 115VAC, 60Hz, 1.9 amp.

Output:

- 12VDC or 24VDC selectable output.
- 6 amp continuous supply current.
- Filtered and electronically regulated output.
- Thermal overload and short circuit protection.

Battery Backup:

- Built-in charger for sealed lead acid or gel type batteries.
- Maximum charge current 500mA.
- Automatic switch over to stand-by battery.

Electrical:

- Operating Ambient Temperature: -20° C to 50° C.
- BTU/Hr.:
 - 12VDC: 36.85 BTU/Hr.
 - 24VDC: 73.70 BTU/Hr.
- System AC input VA requirement: 218.5VA.

Features:

- AC and DC power LED indicators.
- Ease of installation saves time and eliminates costly labor.
- Includes battery leads.

Mechanical:

- NEMA 4/4X, IP66-11 Rated enclosure for outdoor use.
- Lightweight molded fiberglass reinforced polyester enclosure is corrosion resistant and does not contain halogens.
- Lockable stainless steel latches.
- Integral flanges simplify wall or pole mounting.
- Enclosure Dimensions (H x W x D approx.):
13.31" (338.074 mm) x 11.31" (287.274 mm) x 5.59" (141.986 mm).
- Product weight (approx.): 9.2 lbs. (5.19 kg).
- Shipping weight (approx.): 10.5 lbs. (5.78 kg).

PMK1 Pole Mount Kit (order separately)

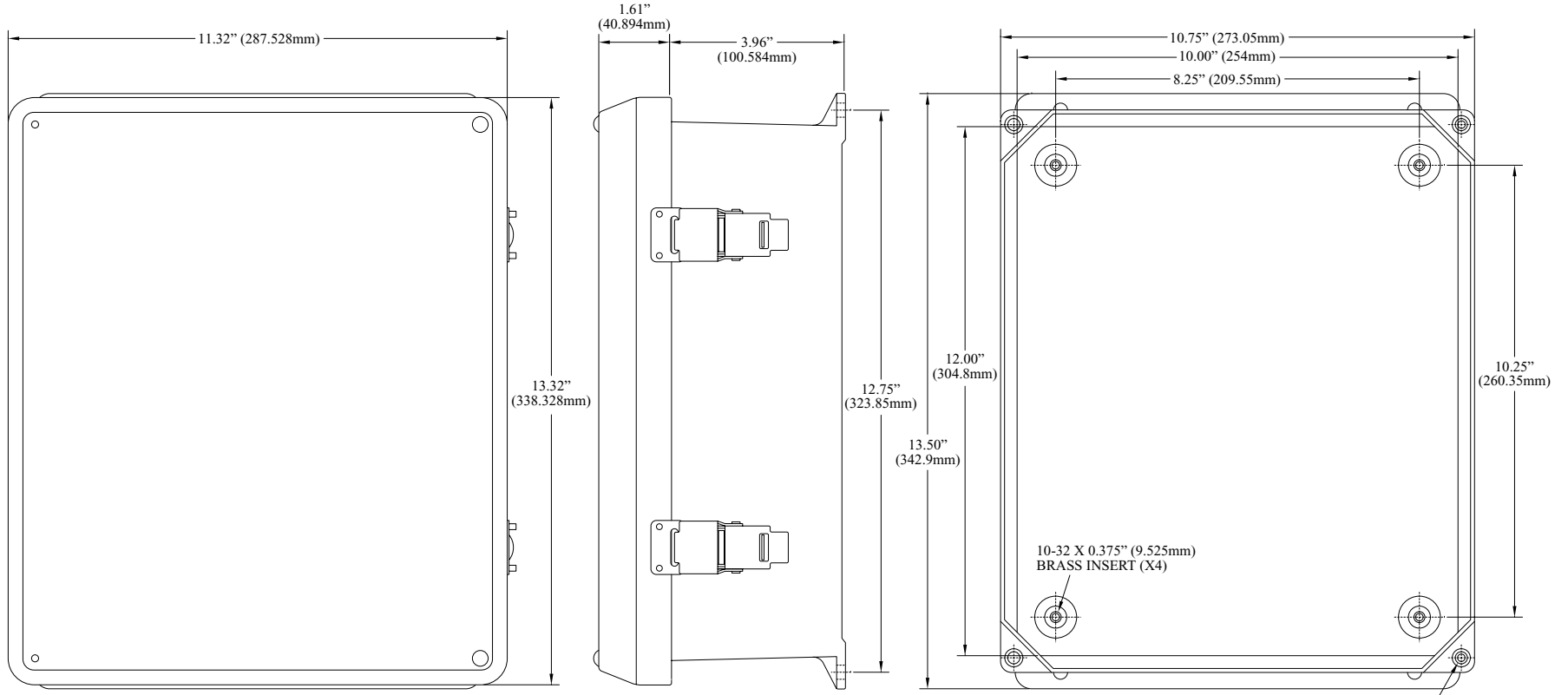


PMK1

PMK1 pole mount kit is designed to simplify installation of outdoor units.

- Accommodates 2"- 8"(diameter) poles.
- Kit includes:
 - Two (2) powder coated steel mount brackets.
 - Four (4) stainless steel bolts.
 - Four (4) stainless steel lock washers.
 - Two (2) wormgear quick release straps.

Enclosure Dimensions (H x W x D):
 13.31" (338.074 mm) x 11.31" (287.274 mm) x 5.59" (141.986 mm)



10-32 X 0.375" (9.525mm)
 BRASS INSERT (X4)

10-32 X 0.25" (6.35mm)
 BRASS INSERT (X2)

