

## Overview

DPS5 converts a low voltage AC input into 6VDC, 12VDC or 24VDC output. These general purpose power supplies have a wide range of applications for access control, security and CCTV system accessories that require additional power.

## Specifications

### Input:

- 6VDC or 12VDC output use TP1640 or 24VDC output use T2428100.

### Output:

- 6VDC, 12VDC or 24VDC selectable output.
- 4.0 amp continuous supply current.
- Filtered and electronically regulated output.
- Short circuit and thermal overload protection.

### Battery Backup:

- Built-in charger for sealed lead acid or gel type batteries.
- Automatic switch over to stand-by battery when AC fails.
- Maximum charge current 0.3 amp.
- Battery short circuit protection (circuit breaker).

### Visual Indicators:

- AC input and DC output LED indicators.

### Electrical:

- Operating temperature:  $-20^{\circ}\text{C}$  to  $49^{\circ}\text{C}$  ambient.
- BTU/Hr.:
  - 6VDC: 12.28 BTU/Hr.
  - 12VDC: 24.55 BTU/Hr.
  - 24VDC: 49.2 BTU/Hr.
- System AC input VA requirement:  
6VDC/12VDC: 276VA. 24VDC: 402.5VA

### Features:

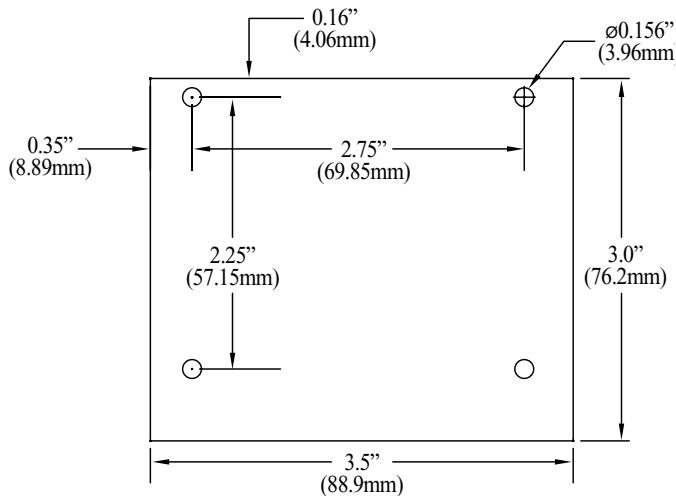
- Extremely compact design.
- Includes battery leads.
- Snap Track compatible (order Altronix model number ST3).

### Mechanical:

- Board Dimensions (L x W x H approx.):  
3.5" (88.9mm) x 3" (76.2mm) x 2" (50.8mm)
- Product weight (approx.): 0.2 lbs. (0.1 kg).
- Shipping weight (approx.): 0.3 lbs. (0.14 kg).

### Board Dimensions (L x W x H) (approximate):

3.5" (88.9mm) x 3" (76.2mm) x 2" (50.8mm)



### ST3 Mechanical Drawing

