



VR1T

Overview

VR1T Converts a 24VAC or 24VDC input into a regulated 12VDC output.

Specifications

Input:

- Input 24VAC or 24VDC.

Output:

- 12VDC output.
- 1 amp continuous supply current.
- Filtered and electronically regulated output.
- Built-in overload protection.

Visual Indicators:

- Power LED indicators.

Features:

- Quick release terminals (wire gauge 14-20AWG).

Features (cont'd):

- High impact insulated housing.
- Compact design allows for integration in a wide range of camera housings.

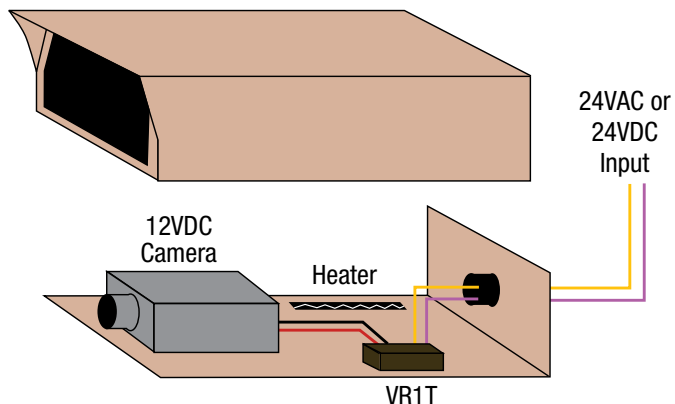
Mechanical:

- Dimensions (W x D x H approx.):
2.375" (60mm) x 1.625" (41mm) x 1" (25mm)
- Accommodates two (2) 12VDC/7AH batteries.
- Product weight (approx.): 0.14 lbs. (0.063 kg).
- Shipping weight (approx.): 0.15 lbs. (0.068 kg).

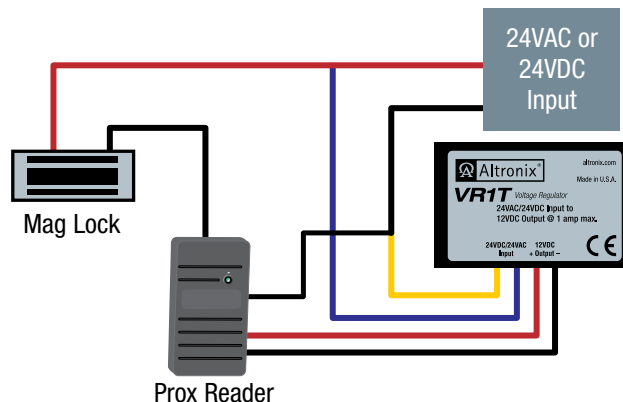
Applications

- Power for 12VDC CCTV cameras and accessories, Fiber Optic Transmitters, REX PIR's, Prox Readers, etc.

CCTV Applications:



Access Control Applications:



Agency Approvals

