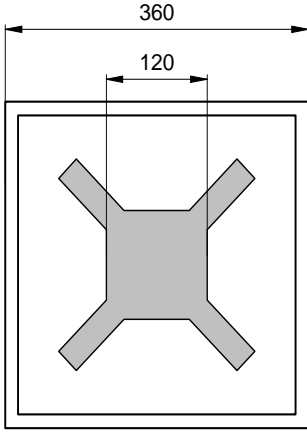


Radiation	Type	Technology	Electrodes
Infrared	DDH	AlGaAs/AlGaAs	P (anode) up

 <p style="text-align: center;">LED-05</p>	typ. dimensions (μm)	
	typ. thickness 180 μm	anode gold alloy, 1.5 μm
	cathode gold alloy, 0.5 μm structured, 25% covered	

**Optical and Electrical Characteristics**

T<sub>amb</sub> = 25°C, unless otherwise specified

Parameter	Test conditions	Symbol	Min	Typ	Max	Unit
Forward voltage	I <sub>F</sub> = 20 mA	V <sub>F</sub>		1.4	1.6	V
Reverse voltage	I <sub>R</sub> = 100 μA	V <sub>R</sub>	5			V
Radiant power <sup>1</sup>	I <sub>F</sub> = 20 mA	Φ <sub>e</sub>	3.8	5.0		mW
Peak wavelength	I <sub>F</sub> = 20 mA	λ <sub>p</sub>	840	850	860	nm
Spectral bandwidth at 50%	I <sub>F</sub> = 20 mA	Δλ <sub>0.5</sub>		40		nm
Switching time	I <sub>F</sub> = 20 mA	t <sub>r</sub> , t <sub>f</sub>		15		ns

<sup>1</sup>Measured on bare chip on TO-18 header with JENOPTIK Polymer Systems equipment

**Labeling**

Type	Lot N°	Φ <sub>e</sub> (typ) [mW]	V <sub>F</sub> (typ) [V]	Quantity
ELC-850-17-1				

**Packing:** Chips on adhesive film with wire-bond side on top