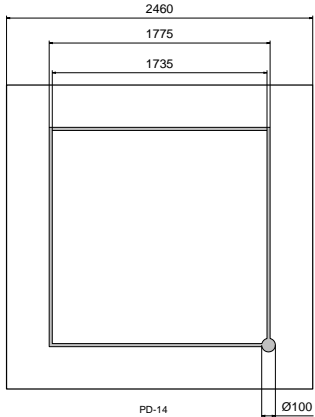


Wavelength range	Type	Technology	Electrodes
Green, selective	Integrated filter	GaP	P (anode) up

	typ. dimensions (µm)	
	typ. thickness 270 (±20) µm anode gold alloy, 1.5 µm cathode gold alloy, 0.5 µm	Description Narrow bandwidth and high spectral sensitivity in the range of max. eye responsivity (480...560 nm), low cost chip Applications Nearly Vλ matched detection, measurement systems, daylight sensors

Miscellaneous Parameters

T_{amb} = 25°C, unless otherwise specified

Parameter	Test conditions	Symbol	Value	Unit
Active area		A	5.8	mm ²
Operating temperature range		T _{amb}	-40 to +125	°C
Storage temperature range		T _{stg}	-40 to +125	°C
Temperature coefficient of I _D	T = -40...120°C	TC _{ID}	4.7	%/K
Temperature coefficient of I _{PH}	T = -40...120°C	TC _{IPH}	0.25	%/K
Temperature coefficient of λ _c	T = -40...120°C	TC _{λc}	0.15	nm/K

Optical and Electrical Characteristics

T_{amb} = 25°C, unless otherwise specified

Parameter	Test conditions	Symbol	Min	Typ	Max	Unit
Peak sensitivity	V _R = 0 V	λ _p	510	525	535	nm
Spectral range at 50%, lower limit	V _R = 0 V	λ _{0.5}	470	480	500	nm
Spectral range at 50 %, upper limit	V _R = 0 V	λ _{0.5}	550	560	570	nm
Responsivity at 525 nm ¹	V _R = 0 V	S _λ	0.04	0.08		A/W
Responsivity at 525 nm ²	V _R = 0 V	S _λ	0.15	0.30		A/W
Spectral bandwidth at 50%	V _R = 0 V	Δλ _{0.5}		75		nm
Dark current (E _e = 0 W/m ²)	V _R = 5 V	I _D		50	300	pA

¹Measured on bare chip on TO-18 header

²Measured on epoxy covered chip on TO-18 header

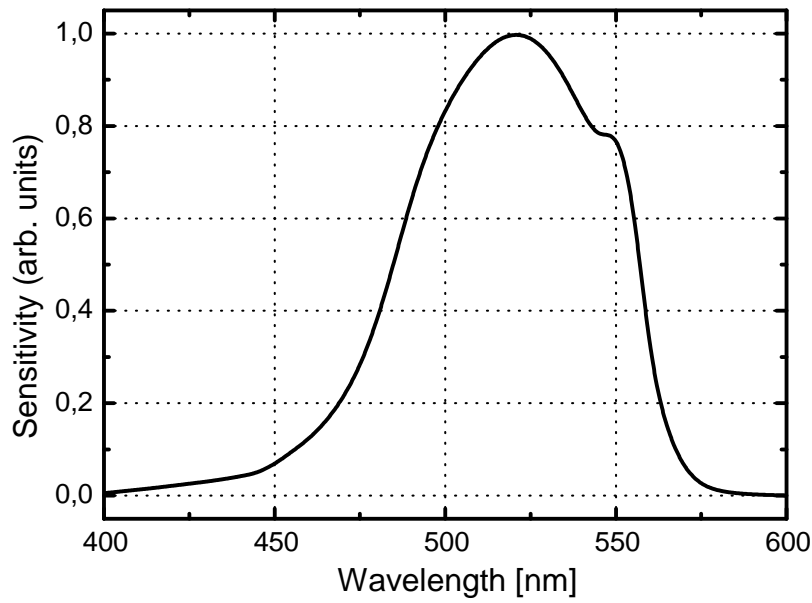
Labeling

Type	Typ. I _D [pA]	Typ. S _λ [A/W]	Lot N°	Quantity
EPC-525-2.5				

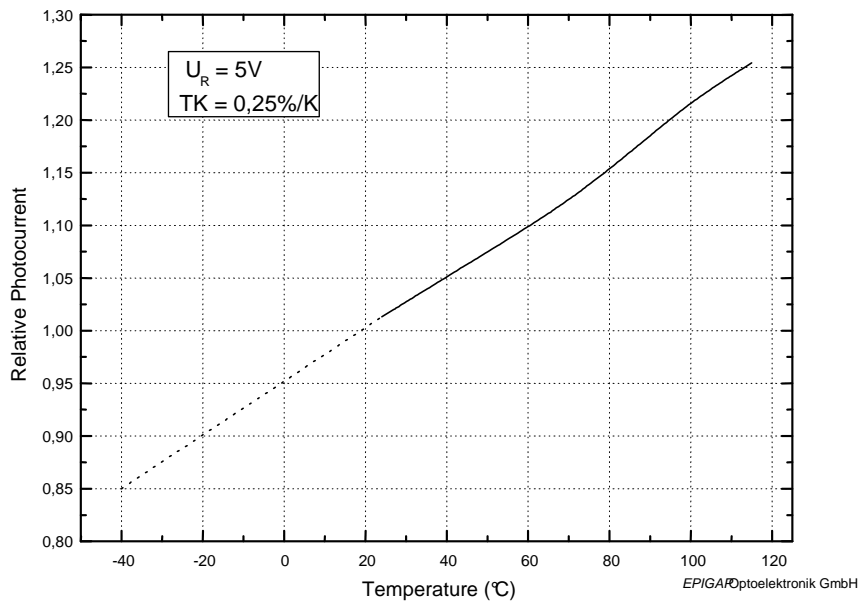
Packing: Chips on adhesive film with wire-bond side on top

*Note: All measurements carried out with *EPIGAP* equipment

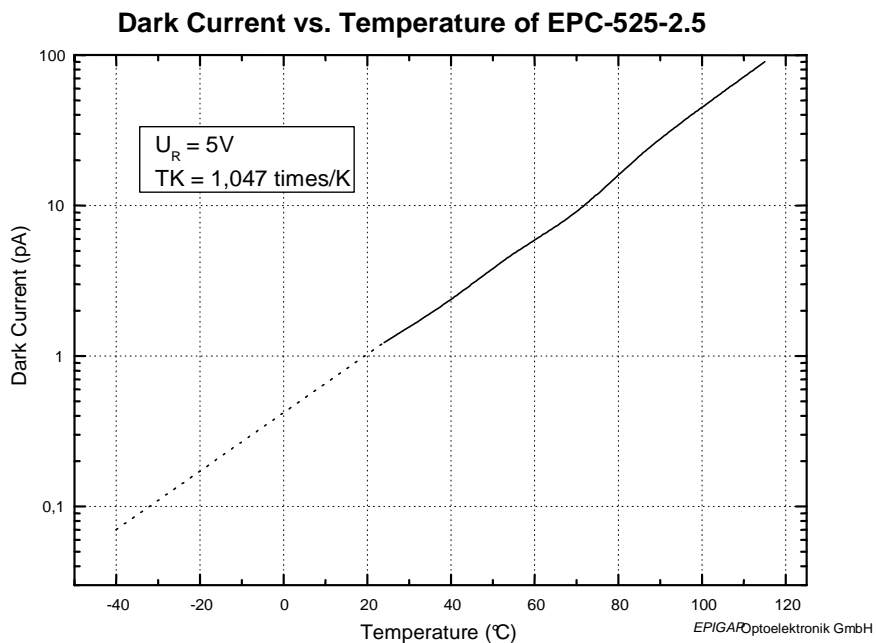
Responsivity spectrum



Relative Photocurrent vs. Temperature of EPC-525-2.5



We reserve the right to make changes to improve technical design and may do so without further notice. Parameters can vary in different applications. All operating parameters must be validated for each customer application by the customer.



We reserve the right to make changes to improve technical design and may do so without further notice. Parameters can vary in different applications. All operating parameters must be validated for each customer application by the customer.