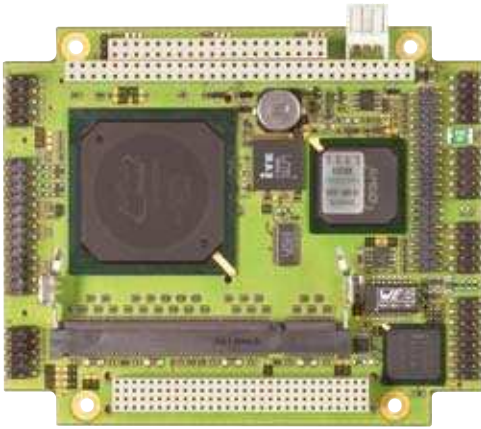


Cool RoadRunner-LX800

PC/104-Plus Single Board Computer

AMD Geode™ LX800



Features

AMD Geode™ LX800 Processor, 500 MHz, 1 GB DDR333 RAM max

Graphics up to 1920 x 1440 pixels - CRT, TFT, LVDS, with backlight

LAN, 4 x USB 2.0

2 x RS232/RS422/RS485, 1 x RS485/Irda

IDE Ultra ATA100, CompactFlash™ socket

Opt. ext. temperature range -40 °C...+85 °C

Specifications

Board Format PC/104-Plus with wings,
96 mm x 115.6 mm (3.775" x 4.050")

Processor AMD Geode LX800@0.9W

Speed 500 MHz

Core Logic I/O companion: CS5536
Super I/O: ITE8712

RAM (max.) 1 GB DDR333-SODIMM

RAM clock 333 MHz

Graphics Integrated in the Geode LX800.
Up to 254 MB video memory.

CRT Analog VGA, 1920 x 1440 pixel
at 85 Hz max.

TFT Single channel, 18 bits
1600x1200 pixel at 60 Hz max.

LVDS Single channel, 18 and 24 bits
1600x1200 pixel at 60 Hz max.

Audio AC97 2.1, 2 channels

USB 4 x USB 2.0 host ports

Ethernet 10/100 MBit with Intel 82551IT

Serial 2 x RS232/RS422/RS485
1 x RS485/Irda

IDE 1 x Ultra ATA100 (ATA6) port

Compact Flash Type 2 socket

LPT Multi-Mode™ bi-directional Parallel

PS2 Keyboard, mouse

GPIO 6 programmable signals, available on
supervisory connector

Watchdog Yes

Status LED HDD, power, standby, power mode,
live, 3x Ethernet, watchdog

Operating temperature 0°C...+60°C (commercial, all versions)
-20°C...+60°C (industrial, all versions)
-40°C...+85°C (extended, optional)

ISA Bus PC/104

PCI Bus PC/104-Plus, 3.3V compliant.
Peripherals need their own 3.3V supply.

I²C bus Supported

RTC Backup GoldCap

Power Supply 5 V ±5 %
All necessary voltages are generated
on-board.

Power Consumption ~6.5W, depending on RAM configuration
and processor load

Cooling Not required

MTBF 364 293 hours at 25 °C

BIOS Insyde Technology
BIOS parameters are also saved in EPROM

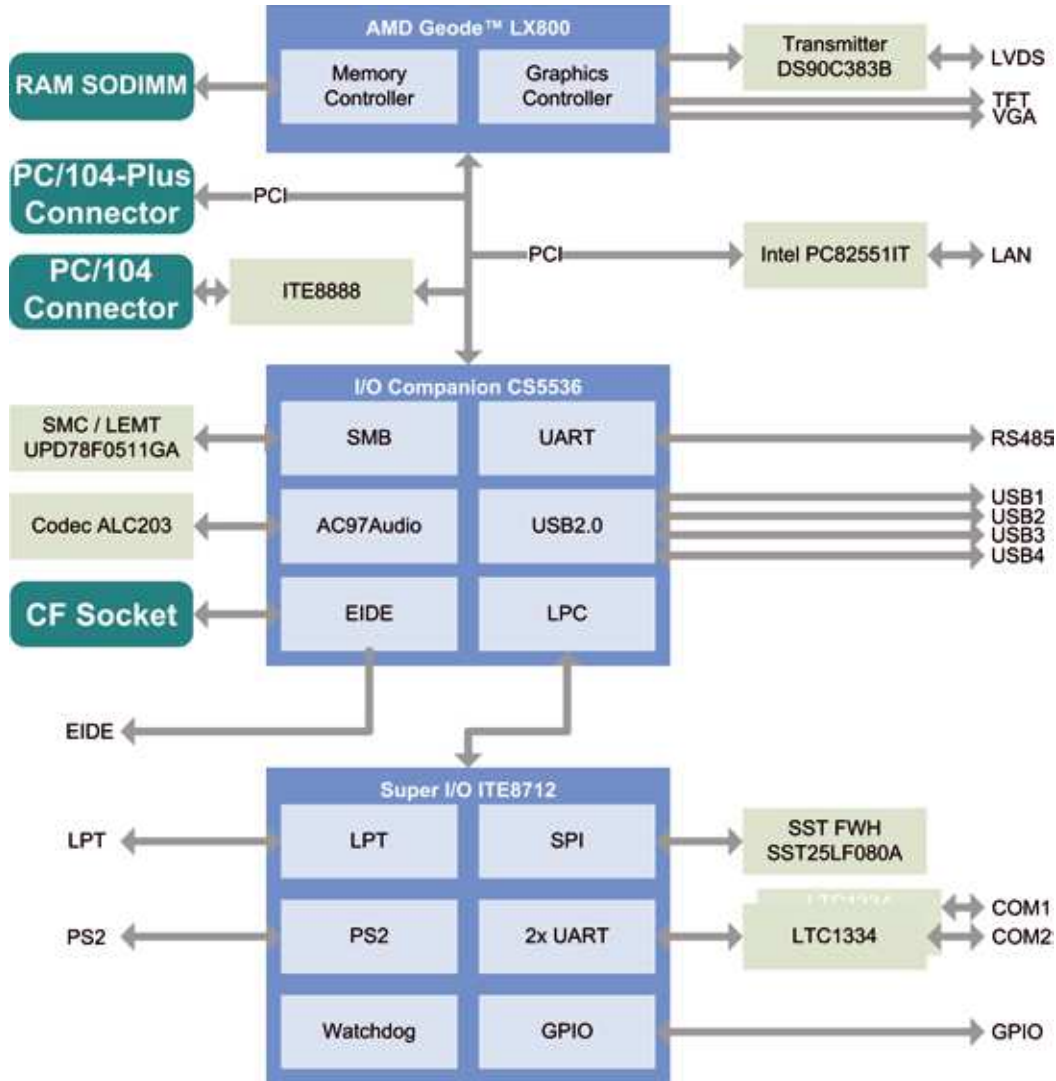
Supported OS Windows XP, XP Embedded,
Windows CE, Linux, VxWorks

Cool RoadRunner-LX800

PC/104-Plus Single Board Computer

AMD Geode™ LX800

Block Diagram



Ordering Information

Ordering Number	Description
t03-0010-10	PC/104-Plus CPU board with AMD Geode™-LX800@0.9W

Note: t denotes the temperature range. Use 7 for commercial, 8 for industrial and 9 for extended temperature range

LIPPERT ADLINK TECHNOLOGY
 Hans-Thoma-Str. 11 · D-68163 Mannheim
 Phone +49 621 43214-0 · Fax +49 621 43214-30
 sales@lippertembedded.com
 www.lippertembedded.com

Ampro ADLINK Technology, Inc.
 5215 Hellyer-Avenue, #110
 San Jose, CA 95138, U.S.A.
 Toll Free (800) 966 5200 · Fax (408) 360 0222
 info@adlinktech.com

LIPPERT™
 BY ADLINK

02/12 · Specifications subject to change without notice · ©LIPPERT ADLINK TECHNOLOGY GmbH Printed in Germany
 All mentioned trademarks are the properties of their respective holders.