

Cool LiteRunner-LX800

PC/104 Single Board Computer

AMD Geode™ LX800



Features

AMD Geode™-LX800@0.9W, 500 MHz, 256 MB soldered DDR400 RAM

Graphics up to 1920 x 1440 pixels - CRT, TFT, LVDS, with backlight

2 x LAN, 4 x USB 2.0

2 x RS232/RS422/RS485, 1 x RS485/Irda

IDE Ultra ATA100, CompactFlash™ socket

Opt. ext. temperature range -40 °C...+85 °C

Specifications

Board Format PC/104,
96mm x 90mm (3.775" x 3.550")

Processor AMD Geode LX800@0.9W

Speed 500 MHz

Core Logic I/O companion: CS5536
Super I/O: ITE8712

RAM 256 MB DDR400, soldered on board

RAM clock 400 MHz

Graphics Integrated in the Geode LX800.
Up to 254 MB video memory.

CRT Analog VGA
1920 x 1440 pixel at 85 Hz max.

TFT Single channel, 18 bits
1600x1200 pixel at 60 Hz max.

LVDS Single channel, 18 and 24 bits
1600x1200 pixel at 60 Hz max.

Audio AC97 2.1, 2 channels

USB 4 x USB 2.0 host ports

Ethernet 2 x 10/100 MBit with Intel 82551IT

Serial 2 x RS232/RS422/RS485
1 x RS485/Irda with termination

IDE 1 x Ultra ATA100 (ATA6) port

Compact Flash Type 2 socket

LPT Multi-Mode™ bi-directional Parallel

PS2 Keyboard, mouse

GPIO 8 programmable signals

Watchdog Yes

Status LED HDD, power, standby, power mode,
live, 4x Ethernet, watchdog

Operating temperature 0°C...+60°C (commercial, all versions)
-20°C...+60°C (industrial, all versions)
-40°C...+85°C (extended, optional)

ISA Bus PC/104

PCI Bus Mini-PCI slot

I²C bus Supported

RTC Backup Battery on board

Power Supply 5 V ±5 %
All necessary voltages are generated
on-board.

Power Consumption Max. 6.0 watts
Typ. 5.0 watts

Cooling Not required

MTBF 308 342 hours at 25 °C

BIOS Insyde Technology
BIOS parameters are also saved in
EEPROM

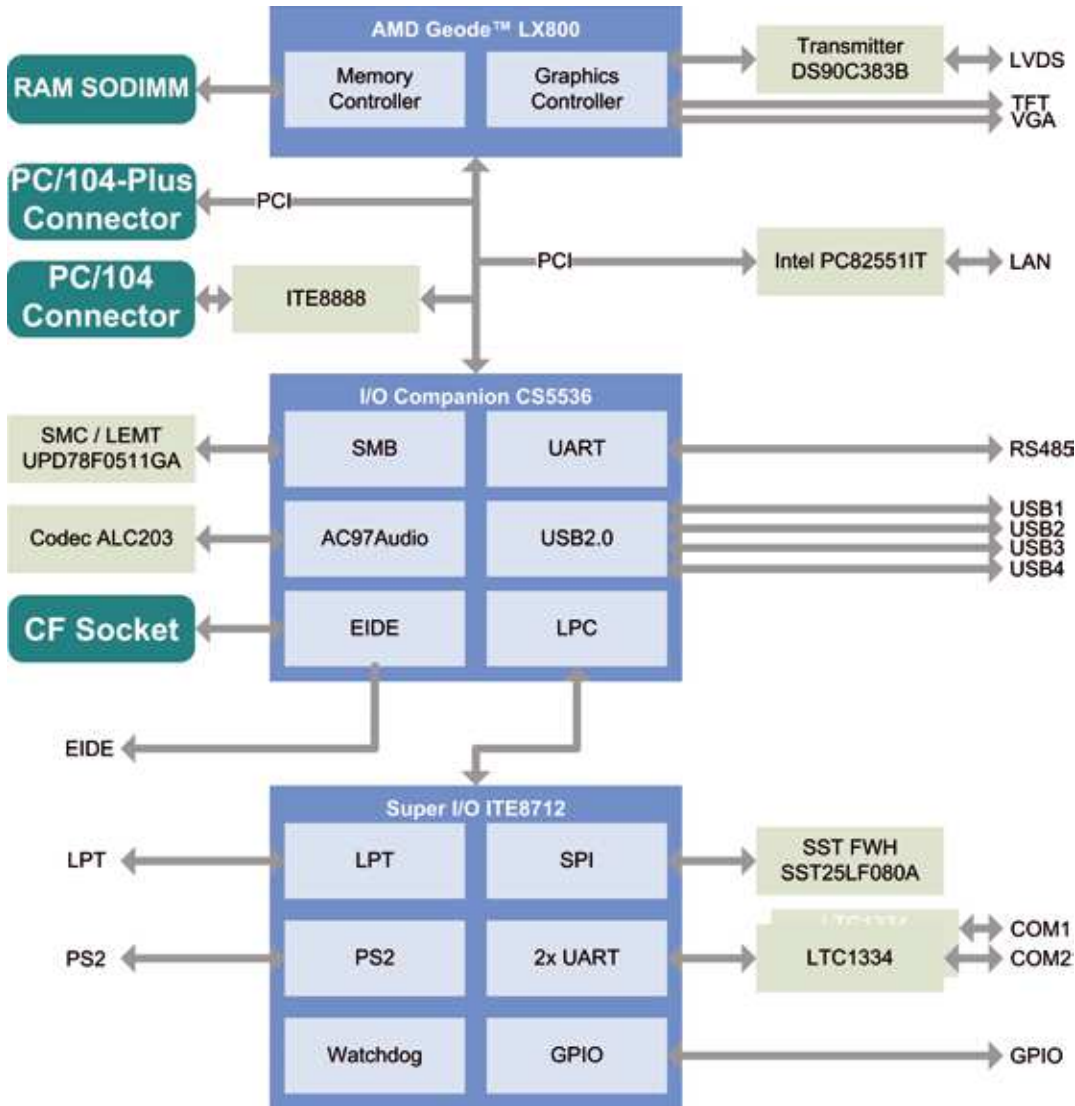
Supported OS Windows XP, XP Embedded,
Windows CE, Linux, VxWorks

Cool LiteRunner-LX800

PC/104 Single Board Computer

AMD Geode™ LX800

Block Diagram



Ordering Information

Ordering Number	Description
t02-0008-10	PC/104 CPU board with AMD Geode™-LX800@0.9W

Note: t denotes the temperature range. Use 7 for commercial, 8 for industrial and 9 for extended temperature range