

Toucan-QM57

COM Express Module

Intel® Core™ i7 Processor



Features

Intel Core i7 Processor, 2.53 GHz max.

4 GB DDR3 ECC RAM maximum. Supports ruggedized XR-DIMM™ modules.

2 DisplayPorts, LVDS (dual channel)

1 x Gigabit LAN

8 x USB 2.0 host ports

4 x SATA with RAID support

Specifications

Board Format	COM Express (Type 2, Rev. 2.0) 95.00 x 125.00 mm
Processor	Intel Core i7 processor i7 – 620UE, 1.06 GHz, Dual Core i7 – 610E, 2.53 GHz, Dual Core
Chipset	Mobile Intel QM57 Express
RAM	4 GB DDR3 ECC RAM maximum - 2 GB soldered - 2 GB XR-DIMM™ module optional
RAM Clock	i7-610E: DDR3-1066 i7-620UE: DDR3-800
Graphics	Intel HD Graphics, 2560 x 1920 pixels
VGA	Yes
DisplayPort	2 (see note)
SDVO	Configurable (see note)
LVDS	18, 24 bit Dual channel, up to 1600 x 1200 px Interleave modus: 1900 x 1200
USB	8xUSB 2.0 hosts
Ethernet	Gigabit LAN - Integrated in chipset, with 82577 PHY
SATA	4 ports, Support for RAID 0, 1, 5, 10
PATA	1 UDMA6 port, via JMB368
Audio	Intel HD Audio, external Codec required

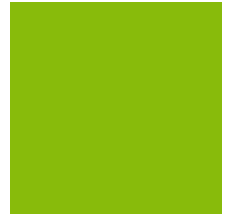
NOTE: SDVO & DP1 are alternatives to PCIe x16

Watchdog	Yes (LEMT)
PCI Express Bus	- 6 x1 lanes (PCIe 1.0a) - 1 x16 lane, configurable as 2 x8 lanes (see note) (2.5Gbit/s, PCIe 2.0 compliant)
PCI Bus	Yes, 3.3 V
LPC Bus	Yes
SPI Bus	Yes
SMB Bus	Yes
Status LED	Power, power mode, SMC activity, watchdog
Power Supply	5 ... 14 V only
Power Consumption	25 – 45 watts, depending on processor type
Cooling	Active (Passive for i7-620UE processor) Heatspreader available
MTBF	116 722 hours @ 25°C
Operating temperature	0°C...+60°C (commercial, all versions) -20°C...+60°C (industrial, all versions) -40°C...+85°C (extended, optional)
BIOS	Phoenix BIOS BIOS parameters are saved in Flash
LEMT	Yes, Condition Monitoring
Supported OS	Windows, Linux

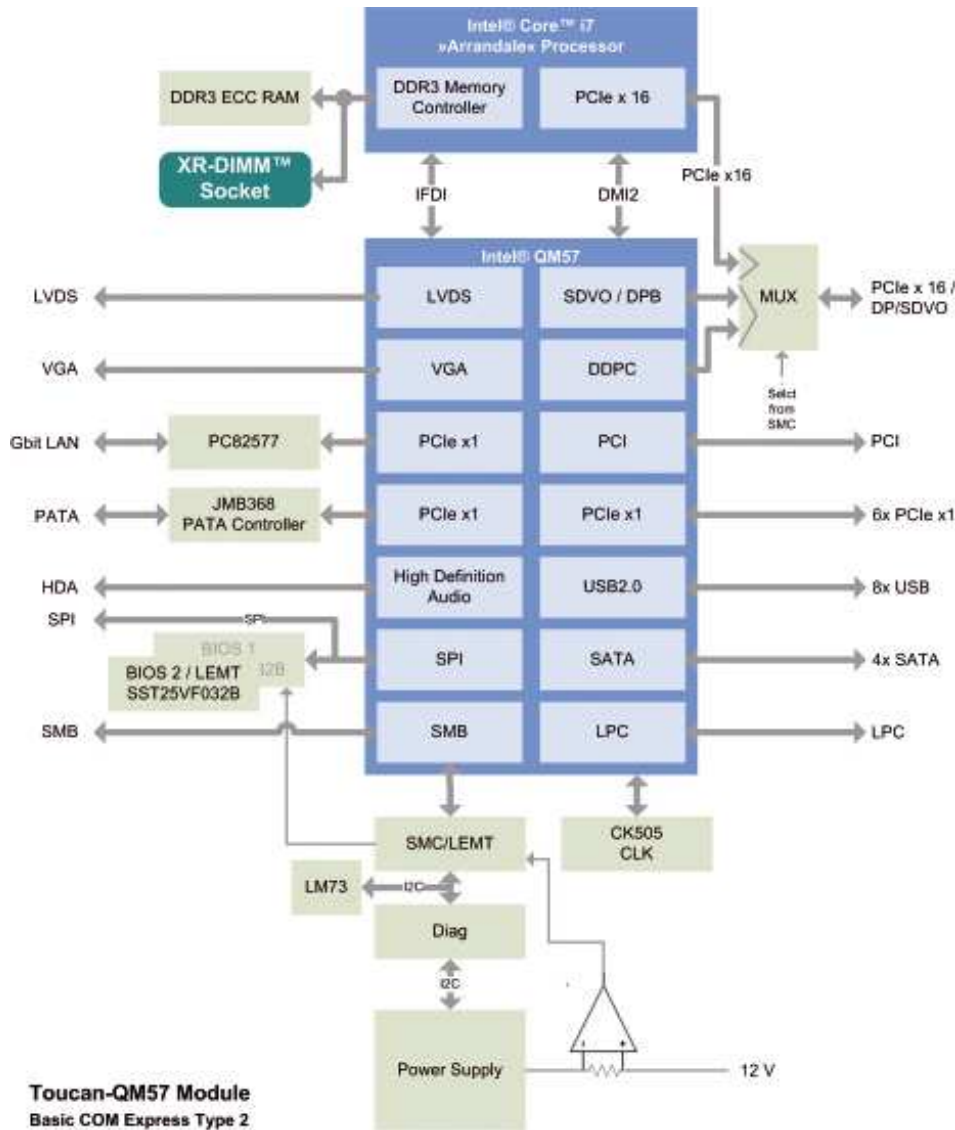
Toucan-QM57

COM Express Module

Intel® Core™ i7 Processor



Block Diagram



Ordering Information

Ordering Number	Description
t09-0014-10	COM Express board with Intel 610E, 2.53 GHz, 2 GB ECC RAM, incl. heat spreader
t09-0015-10	COM Express board with Intel 620UE, 1.06 GHz, 2 GB ECC RAM, incl. heat spreader

Note: t denotes the temperature range. Use 7 for commercial, 8 for industrial and 9 for extended temperature range. Other processor and memory configurations are available on request.

LIPPERT ADLINK TECHNOLOGY
Hans-Thoma-Str. 11 · D-68163 Mannheim
Phone +49 621 43214-0 · Fax +49 621 43214-30
sales@lippertembedded.com
www.lippertembedded.com

Ampro ADLINK Technology, Inc.
5215 Hellyer-Avenue, #110
San Jose, CA 95138, U.S.A.
Toll Free (800) 966 5200 · Fax (408) 360 0222
info@adlinktech.com

LIPPERT™
BY ADLINK