



12W Wall Plug Adapter PSA12x Adapter Series Meets EISA and Ecodesign Requirements



Features

- Double Insulated
- Class B EMI
- Ecodesign ErP Directive 2009/125/EC level 2 annex 1b Compliant
- Less Than 0.3W No-Load Current
- Over-Voltage Protection
- Efficiency Level V Compliance

Applications

- Wireless Communications
- Networking
- Portable Equipment
- Peripherals

Safety Approvals

- cUL/UL (A-Model)
- BSMI (A-Model)
- TUV (E-Model)
- CE (E-Model)

Mechanical Characteristics ⁽¹⁾

- Length: 71.5mm (2.81in)
- Width: 33.75mm (1.33in)
- Height: 46mm (1.81in)
- Weight: 85g (3.00oz)

Output Specifications

Model ⁽³⁾	DC Output Voltage	Load		Ripple ⁽²⁾ P-P (max.)	Regulation Line & Load	Efficiency Level
		Min.	Max.			
PSA12x-120 ⁽⁴⁾	12V	0A	1.0A	240mV	±5%	V

(1) Dimensions for PSA12A-120 model

(2) Measured with an oscilloscope with 20MHz (or over) Bandwidth. Outputs should be bypassed at a connector with a 0.1uF ceramic capacitor and a 10uF electrolytic capacitor.

(3) Minimum order requirement of 2500 pieces for both US and EU models.

(4) X = A for US version, E for EU version

Phihong is not responsible for any error, and reserves the right to make changes without notice. Please visit our website at www.phihong.com for the most up-to-date specifications and contact information.

Input:**AC Input Voltage Rating**

100 to 240 V AC

AC Input Voltage Range

90 to 264V AC

AC Input Frequency

50 to 60Hz

Input Current

0.5A (RMS) maximum at 120V AC

0.25A (RMS) maximum at 240V AC

Leakage Current

0.25A maximum at 264V AC

Inrush Current

30A for 120V AC at maximum load

60A for 230V AC at maximum load

Input Power Saving

<0.3W maximum at no load

Output:**Efficiency**

77.76% minimum average efficiency

Hold-up Time

10mS minim at 120V AC and maximum load

Over-Voltage Protection

Output voltage shall not exceed 20V

Short-Circuit Protection

Protected against short circuit. Continuous short circuit will not produce fire, smoke or excessive heat

**Environmental:
Temperature**

Operation 0 to +40°C

Non-operation -40 to +80°C

Humidity 10 to 90%

Emissions

FCC Class B

EN55022 Class B

Immunity

EN50082-1: (EN55024)

EN61000-4-2 Level 4

EN61000-4-5 Level 3

Dielectric Withstand (Hi-pot) Test

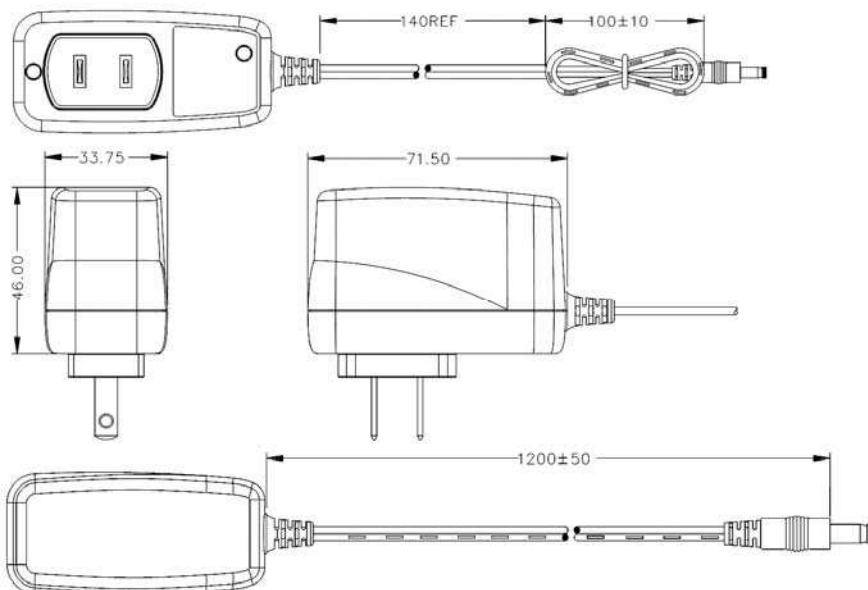
Primary to Secondary: 3000V AC for 1 min., 10mA

DC Output Connector

2.1 x 5.5mm Center Positive Standard

Mating Connector

Kycon KLD-0202-A or equivalent

Dimension Diagram Unit: mm – PSA12A-120

Dimension Diagram Unit: mm – PSA12E-120

