

# IFC-8411

## Quad Gigabit Network Processor Card



### Features

- ◆ Cavium Octeon® II CN66xx Multi-Core MIPS64 Processor
- ◆ Up to 4 GB DDR3 Memory
- ◆ Dedicated HFA/DFA Memory (RegEx pattern search)
- ◆ Security acceleration engine with expanded algorithms
- ◆ 4x Gigabit Ethernet (RJ45)

### Applications

- ◆ Network security & deep packet inspection (DPI) for fixed & wireless networks
- ◆ Unified Threat Management (UTM) with Firewall, VPN, IPS & AV scanning
- ◆ Network Attached Storage (NAS) appliances
- ◆ Application & content-aware network & management devices



### High Performance Packet Processing & Network Acceleration

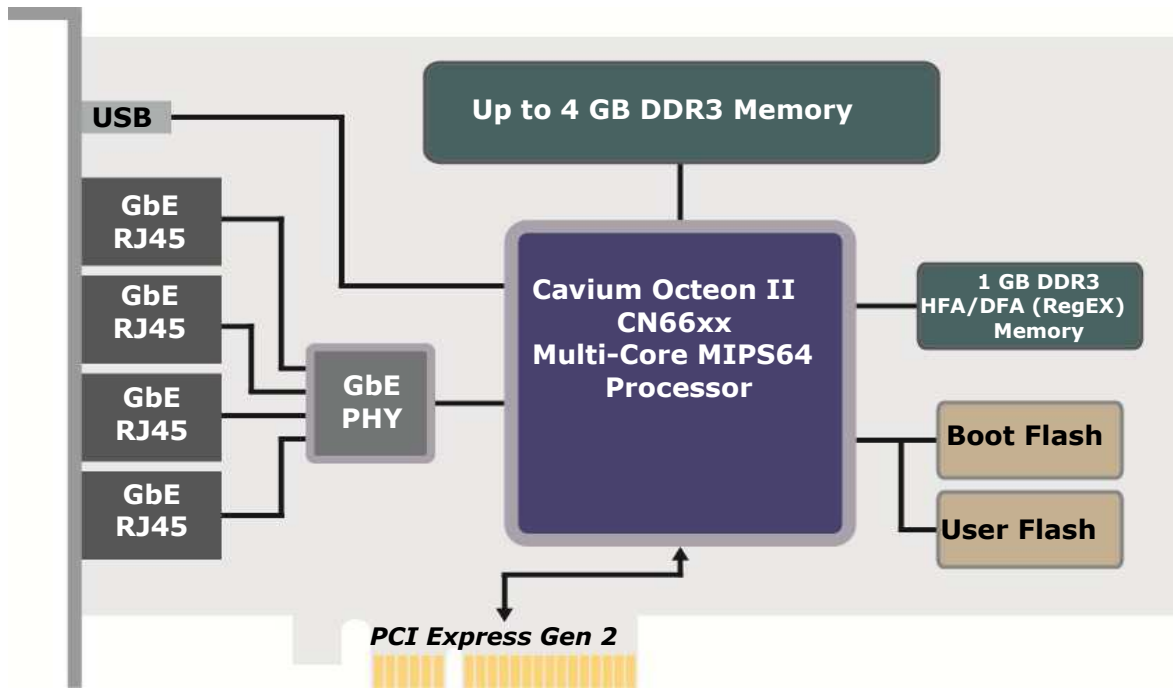
The Inforce® IFC-8411 provides high performance packet processing and network acceleration that enables system developers to create in-line devices for network security, content inspection, storage compression and other fixed & wireless applications.

Based on the Cavium Octeon® II CN66xx Multi-Core MIPS64 Processor, the IFC-8411 includes ample DDR3 memory onboard for packet processing and

RegEx pattern search engines. The board occupies a single PCI Express x4 card slot and provides four Gigabit Ethernet ports that can deliver over 4 Gbps of in-line packet processing with QoS or encryption.

Applications are developed for the IFC-8411 using the Cavium Software Developers Kit (SDK) which includes complete production quality toolkits and libraries to develop or port existing code.

## Block Diagram



## Technical Specifications

### Network Processor & Memory

- ◆ Cavium Octeon® II CN66xx, 1.1 GHz
- ◆ 1 GB DDR3 HFA/DFA (RegEx Pattern Search) Memory
- ◆ Up to 4 GB DDR3 Memory

### Interface Support

- ◆ 4x Gigabit Ethernet 1000BASE-T (RJ45 connectors)
- ◆ Four-lane PCI Express Gen 2 single card slot
- ◆ USB port

### Power, Mechanical & Environmental

- ◆ Power: +12V @ 3.0A, +3.3V @ 2.7A, <45W total power (auxiliary power cable/adapter required)
- ◆ Cooling: Board requires 300 LFM @ 25 C (min.)
- ◆ Dimensions: PCI-Express Gen 2, Full-Height, Half-Length (4.376" H x 6.6" L)
- ◆ Operating Temp.: 0 to 55 C
- ◆ Storage Temp.: -20 to 85 C
- ◆ Relative Humidity: 5 to 95% non-condensing
- ◆ RoHS compliant

[www.inforcecomputing.com](http://www.inforcecomputing.com)

### India Sales & Support

InForce Computing (India) Pvt Ltd.  
#24, 3<sup>rd</sup> Floor, 1<sup>st</sup> Cross,  
Magrath Road,  
Bengaluru 560 025 India  
Phone: +91 80 25566699  
sales@inforcecomputing.com



### Global Sales & Support

InForce Computing Inc.  
48820 Kato Road, Dr. Ste 600B  
Fremont, CA 94538 USA  
Phone: (510) 683-9999  
sales@inforcecomputing.com