

IFC-8221

Low-Profile Network Processor Card



Features

- ◆ Cavium Octeon® II CN6335 Multi-Core MIPS64 Processor
- ◆ 1 GB DDR3 Memory with ECC
- ◆ Security acceleration engine with expanded algorithms
- ◆ 2x Gigabit Ethernet (RJ45)

Applications

- ◆ Network traffic classification & management
- ◆ Network security & encryption
- ◆ Intrusion Prevention Systems (IDS/IPS)
- ◆ Network Attached Storage (NAS) appliances



Packet Processing & Network Acceleration for Low-Profile Appliances

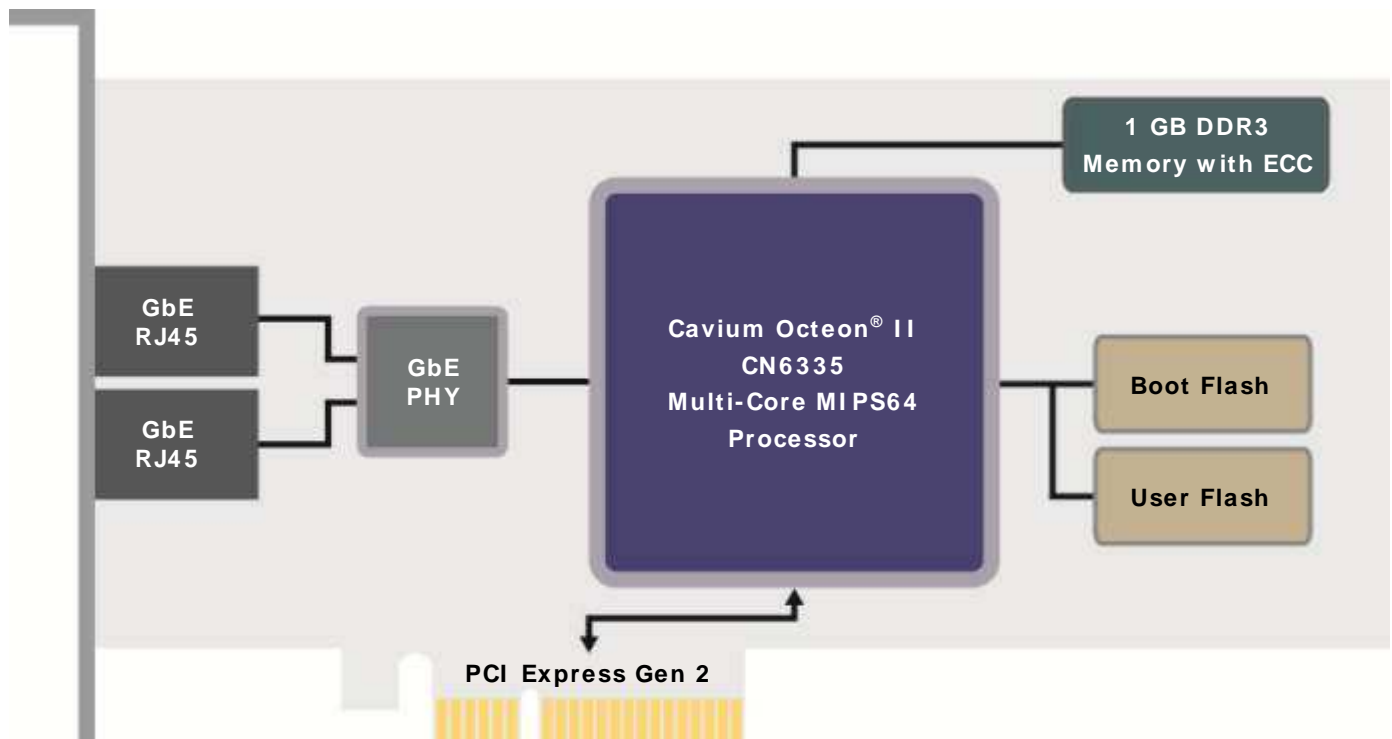
The Inforce® IFC-8221 provides high performance packet processing and network acceleration in a single half-height PCI Express card slot. The board is ideal for in-line network security, traffic analysis, application classification, and storage compression appliances for fixed and wireless deployments.

Based on the Cavium Octeon® II CN6335 Multi-Core MIPS64 Processor, the IFC-8221 includes fast

DDR3 memory onboard with ECC for reliable packet processing. The board also includes two standard Gigabit Ethernet RJ45 ports on the panel that integrate easily with standard network cables.

Applications are developed for the IFC-8221 using the Cavium Software Developers Kit (SDK) which includes complete production quality toolkits and libraries to develop or port existing code.

Block Diagram



Technical Specifications

Network Processor & Memory

- ◆ Cavium Octeon® II CN6335, 800 MHz
- ◆ 1 GB DDR3 Memory with ECC

Interface Support

- ◆ 2x Gigabit Ethernet 1000BASE-T (RJ45 connectors)
- ◆ Four-lane PCI Express Gen 2 single card slot

Power, Mechanical & Environmental

- ◆ Power: +12V @ 1.4A, +3.3V @ 1.7A, <25W total power
- ◆ Cooling: Board requires 300 LFM @ 25 C (min.)
- ◆ Dimensions: PCI-Express Gen 2, Half-Height, Half-Length (2.731" H x 6.6" L)
- ◆ Operating Temp.: 0 to 55 C
- ◆ Storage Temp.: -20 to 85 C
- ◆ Relative Humidity: 5 to 95% non-condensing
- ◆ RoHS compliant

www.inforcecomputing.com

India Sales & Support

InForce Computing India Pvt Ltd.
24, 3rd Floor, 1st Cross, Magrath Road
Bangalore, 560025, India
Phone: +91 80 2556 6699
sales@inforcecomputing.com



Global Sales & Support

InForce Computing Inc.
48860 Milmont Dr., Ste 101C
Fremont, CA 94538 USA
Phone: (510) 683-9999
sales@inforcecomputing.com