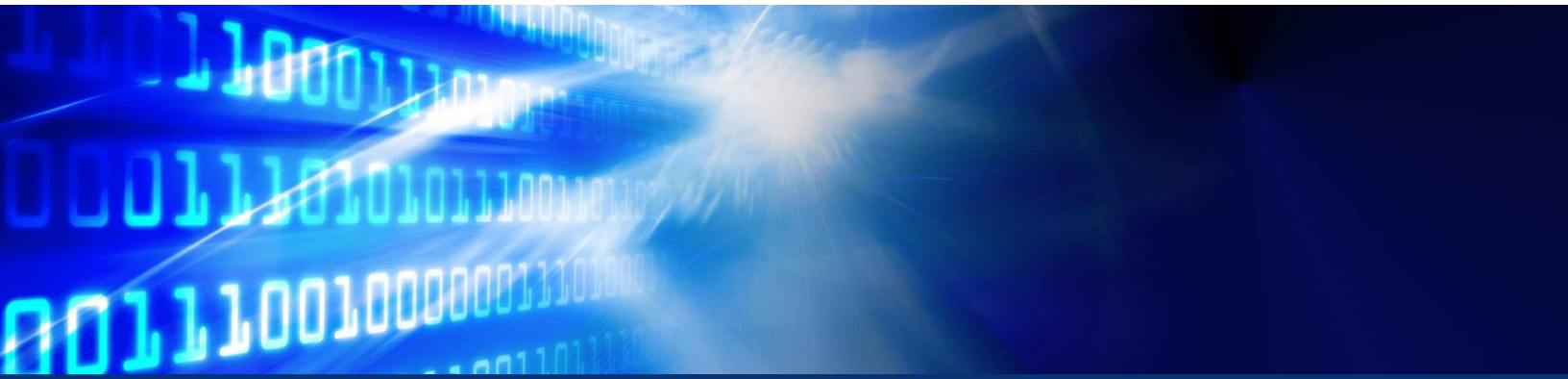


IFC-8211

Quad Gigabit Network Processor Card



Features

- ◆ Cavium Octeon® II CN6335 Multi-Core MIPS64 Processor
- ◆ Up to 4 GB DDR3 Memory
- ◆ Dedicated HFA/DFA Memory (RegEx pattern search)
- ◆ Security acceleration engine with expanded algorithms
- ◆ 4x Gigabit Ethernet (RJ45)

Applications

- ◆ Network security & deep packet inspection (DPI) for fixed & wireless networks
- ◆ Unified Threat Management (UTM) with Firewall, VPN, IPS & AV scanning
- ◆ Network Attached Storage (NAS) appliances
- ◆ Application & content-aware network & management devices



High Performance Packet Processing & Network Acceleration

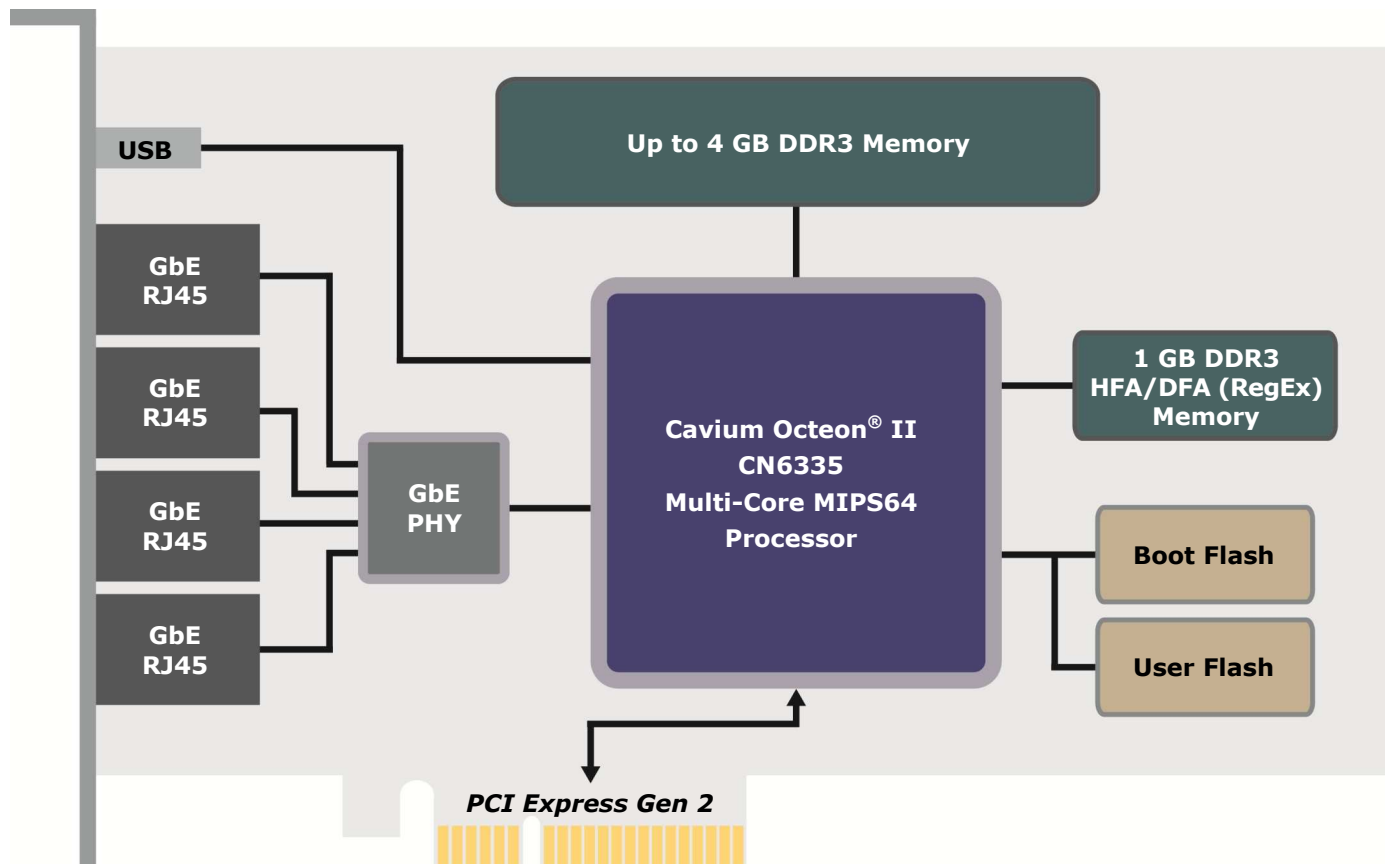
The Inforce® IFC-8211 provides high performance packet processing and network acceleration that enables system developers to create in-line devices for network security, content inspection, storage compression and other fixed & wireless applications.

Based on the Cavium Octeon® II CN6335 Multi-Core MIPS64 Processor, the IFC-8211 includes ample DDR3 memory onboard for packet processing and

RegEx pattern search engines. The board occupies a single PCI Express x4 card slot and provides four Gigabit Ethernet ports that can deliver over 4 Gbps of in-line packet processing with QoS or encryption.

Applications are developed for the IFC-8211 using the Cavium Software Developers Kit (SDK) which includes complete production quality toolkits and libraries to develop or port existing code.

Block Diagram



Technical Specifications

Network Processor & Memory

- ◆ Cavium Octeon® II CN6335, 1.1 GHz
- ◆ 1 GB DDR3 HFA/DFA (RegEx Pattern Search) Memory
- ◆ Up to 4 GB DDR3 Memory

Interface Support

- ◆ 4x Gigabit Ethernet 1000BASE-T (RJ45 connectors)
- ◆ Four-lane PCI Express Gen 2 single card slot
- ◆ USB port

Power, Mechanical & Environmental

- ◆ Power: +12V @ 3.0A, +3.3V @ 2.7A, <45W total power (auxiliary power cable/adaptor required)
- ◆ Cooling: Board requires 300 LFM @ 25 C (min.)
- ◆ Dimensions: PCI-Express Gen 2, Full-Height, Half-Length (4.376" H x 6.6" L)
- ◆ Operating Temp.: 0 to 55 C
- ◆ Storage Temp.: -20 to 85 C
- ◆ Relative Humidity: 5 to 95% non-condensing
- ◆ RoHS compliant

www.inforcecomputing.com

India Sales & Support

InForce Computing India Pvt Ltd.
#24, 3rd Floor, 1st Cross, Magrath Road
Bangalore, 560025, India
Phone: +91 80 2556 6699
sales@inforcecomputing.com



Global Sales & Support

InForce Computing Inc.
48820 Kato Drive, Suite 600B
Fremont, CA 94538 USA
Phone: (510) 683-9999
sales@inforcecomputing.com