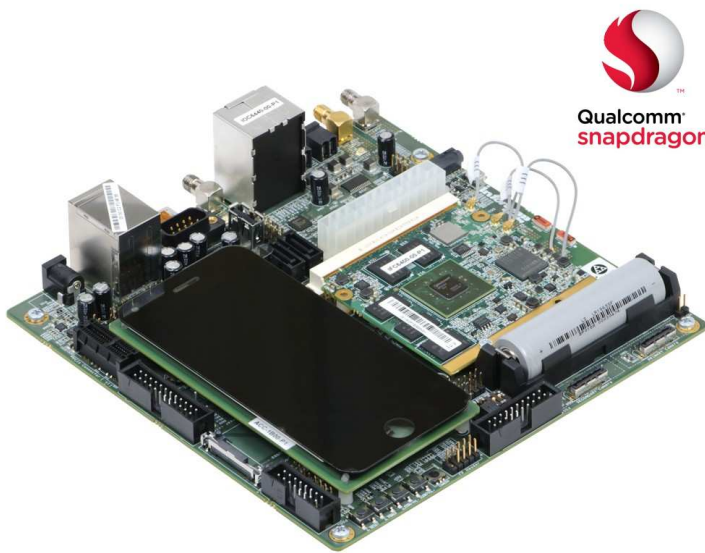


SYS6440

Snapdragon™ S4 Pro Development Platform



SYS6440– Snapdragon S4 Pro APQ8064 Based Development Kit

Snapdragon Features

- High Performance Krait CPUs Based on ARM architecture
- Best-in-Class Energy Efficiency with Dedicated Power Management
- Best-in-Class GPU Performance
- Rich Multimedia Capabilities
- 1080p30 Video Encode and Decode Capabilities
- Dedicated DSP for Audio Processing

Modular Architecture

- Industry Standard Qseven™ SoM
- Mini-ITX Standard Form Factor Carrier Board



Mini-ITX

Application-Ready Peripherals with Development Kit

- 4.0" LCD Touch Screen Display
- Camera Module from Omnivision OV5640 MIPI-CSI2
- HDMI v1.4a
- Sensor Board, Pressure Sensors, Proximity Sensors, 3D Gyro, Compass, and 3D Accelerometer
- Battery– 2200mAH
- Development Kit includes Snapdragon SoM and I/O Carrier Card, Standard Peripherals, DC +5V Adapter, MicroUSB cable, and Quick Start Guide

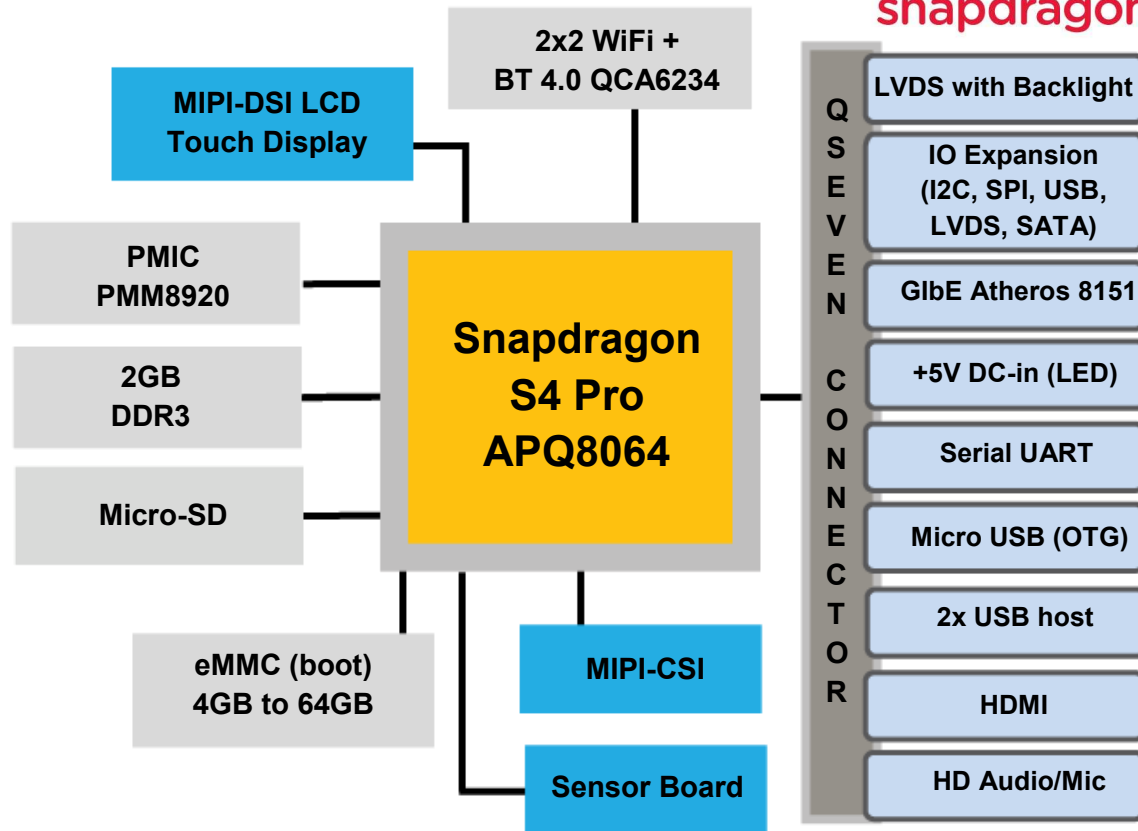
Developer Program

- Backed 24/7 Support for Developers
- Fully Supported and Tested Peripherals with Drivers Included

Customization

- Product Customization Services for Perfect-fit Design

Block Diagram



Technical Specifications

Processor, GPU, and Memory

- ◆ Qualcomm Snapdragon APQ8064 Quad Core Processor (1.7GHz)
- ◆ 2GB on-board DDR3 memory, Dual Channel 533MHz
- ◆ Adreno 320 (QXGA/1080p)

Network Interfaces

- ◆ 10/100/1G Ethernet via Qualcomm Atheros AR8151
- ◆ Bluetooth 4.0, Wi-Fi QCA6234

Video, Audio and I/O Interfaces

- ◆ 1 HDMI connector
- ◆ 1 MIPI-DSI connector
- ◆ 1 LVDS connector
- ◆ 5.1 Audio In/Out
- ◆ Speaker out with 10W amp
- ◆ PCIe x1 slot
- ◆ Mini PCIe slot
- ◆ 1 RS-232
- ◆ 7x USB2.0

Storage Interfaces

- ◆ 2 SATA ports (3 Gbps)

Power, Mechanical, and Environmental

- ◆ Power: +5V Input Socket (5A typ.)
- ◆ Dimensions: 70mm x 70mm SoM (Qseven) 17 cm x 17 cm with Carrier Board (Mini-ITX)
- ◆ Operating Temperature: 0 to 70 C
- ◆ Storage Temperature: -20 to 80 C
- ◆ Relative Humidity: 5 to 95% non-condensing
- ◆ RoHS compliant
- ◆ WEE Compliant

Ordering Info

Part Number	Description	Available
SYS6440-00-P1	Development Kit	NOW
IFC6400-00-P1	Qseven Module	NOW
IFC6410-00-P1	Pico-ITX SBC	NOW

India Sales & Support

Inforce Computing India Pvt Ltd.
#24, 3rd Floor, 1st Cross, Magrath Road
Bangalore, 560025, India
Phone: +91 80 2556 6699

www.inforcecomputing.com



Corporate Headquarters

Inforce Computing Inc.
48820 Kato Road Ste 600B,
Fremont, CA 94538 USA
Phone: (510) 683-9999
sales@inforcecomputing.com