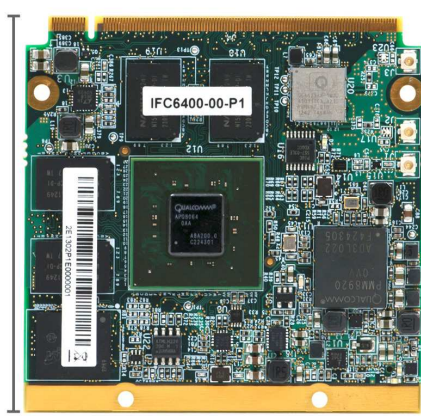


# IFC6400

Snapdragon™ S4 Pro Qseven™ Computing Platform



70mm



70mm



## Processing, Power, and Performance

- ◆ Qualcomm Snapdragon S4 Pro APQ8064
- ◆ 4-core Krait , 1.7GHz, 2MB L2 cache
- ◆ 2 GB on-board DDR3 (PCDDR 533MHz)
- ◆ Independent Clock Scaling Per Core

## Connectivity, Storage & I/O

- ◆ Standard I/O interfaces through Qseven connector including I2C, SPI, HDMI, USB, SATA, LVDS, PCIe, SDIO, etc.
- ◆ High Definition Audio and HD1080p Video
- ◆ Up to a 20MP Camera
- ◆ Bluetooth 4.0 via Atheros QCA6234
- ◆ Wi-Fi via Atheros QCA6234
- ◆ Supports up to 64GB eMMC
- ◆ Dual Display Support (via HDMI, MIPI-DSI, or LVDS) and 5.1 Audio In/out

## Features of Snapdragon APQ8064

- ◆ High Performance ARM CPU
- ◆ Best-in-class energy efficiency with dedicated power management
- ◆ Best-in-class GPU performance
- ◆ Rich multimedia capabilities
- ◆ Dedicated DSP for Audio Processing

## High Performance System-on-Module (SoM) based on Qualcomm Snapdragon S4 Pro APQ8064

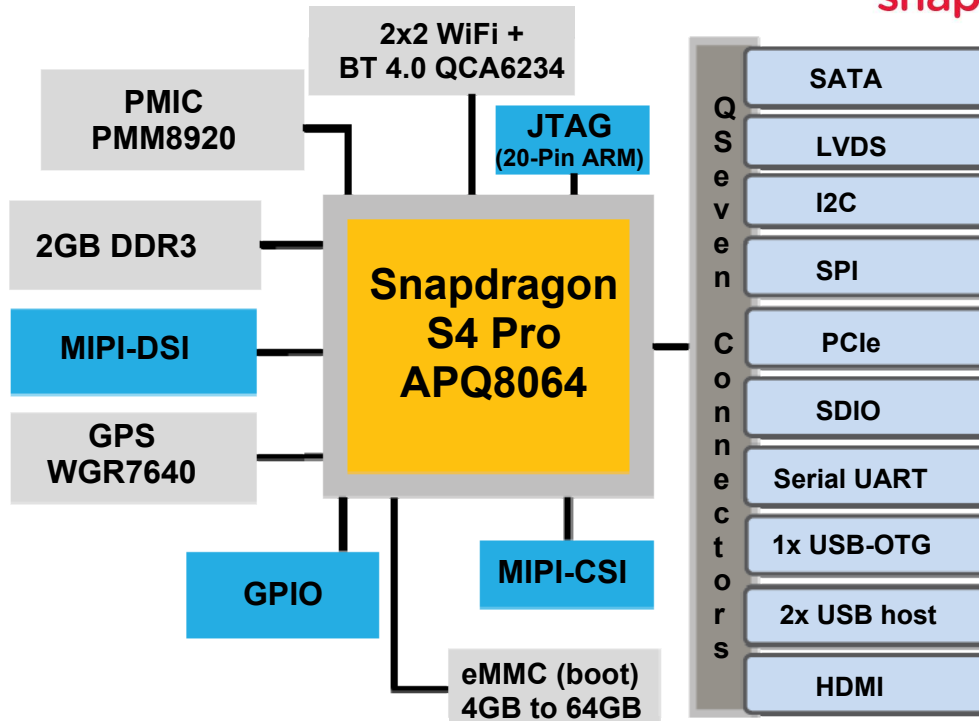
The IFC6400 is a compact, cost-effective platform solution for embedded developers in a Qseven compatible form factor. The versatile packaging enabled by the Qseven module provides access to the rich I/O features of the Snapdragon System-on-Chip in an ultra-small size form factor for high computing multimedia applications. This quad-core processor combining 4-core Krait class computing with an incredibly low power and space-saving footprint creates the perfect environment for a variety of unique embedded applications.

Inforce Computing supports application developers and OEMs with embedded lifecycle support for your next-generation product development requirements. We offer you support services combined with quality assurance from your initial prototype-development stage to the final production. We help you to accelerate your go-to-market schedule. Our lifecycle support includes embedded custom design services to scalable manufacturing solutions. With the Qseven module, developers can have a choice of our standard carrier board or a custom design with reduced risk and cost of the final product.

## Applications

- ◆ Thin Clients
- ◆ Medical Device
- ◆ Video Surveillance
- ◆ Video Conferencing
- ◆ Industrial Tablets
- ◆ Digital Signage

## Block Diagram



## Technical Specifications

### Processor, GPU, and Memory

- ◆ Qualcomm Snapdragon APQ8064 Quad Core Processor (1.7GHz)
- ◆ 2GB on-board DDR3 (PCDDR3 533MHz)
- ◆ Adreno 320 (QXGA/1080p)

### I/O Interfaces (through Edge Connector)

- ◆ 2 x USB 2.0, 1x USB OTG
- ◆ SATA
- ◆ LVDS
- ◆ I2C
- ◆ SPI
- ◆ PCIe
- ◆ SDIO
- ◆ Serial Console
- ◆ HDMI

### Network Interfaces

- ◆ Qualcomm Atheros Bluetooth 4.0 and Wi-Fi QCA6234

### Power, Mechanical, and Environmental

- ◆ Power: +5V Input
- ◆ Dimensions: 70mm x 70mm (Qseven)
- ◆ Operating Temp: 0 to 70 C
- ◆ Storage Temp: -20 to 80 C
- ◆ Relative Humidity: 5 to 95% non-condensing
- ◆ RoHS and WEE compliant

Part Number	Description	General Availability
IFC6400-00-P1	Qseven™ Module with 2GB DDR3	NOW
SYS6440-00-P1	Qseven™ Development Kit with Mini-ITX I/O Carrier	NOW
IFC6410-00-P1	Pico-ITX based Single-board Computer	NOW

### India Sales & Support

Inforce Computing India Pvt Ltd.  
 #24, 3<sup>rd</sup> Floor, 1<sup>st</sup> Cross, Magrath Road  
 Bangalore, 560025, India  
 Phone: +91 80 2556 6699

[www.inforcecomputing.com](http://www.inforcecomputing.com)



### Global Sales & Support

Inforce Computing Inc.  
 48820 Kato Road Ste 600B,  
 Fremont, CA 94538 USA  
 Phone: (510) 683-9999  
[sales@inforcecomputing.com](mailto:sales@inforcecomputing.com)