

IFC-9400

Low Power Qseven™ Computing Platform

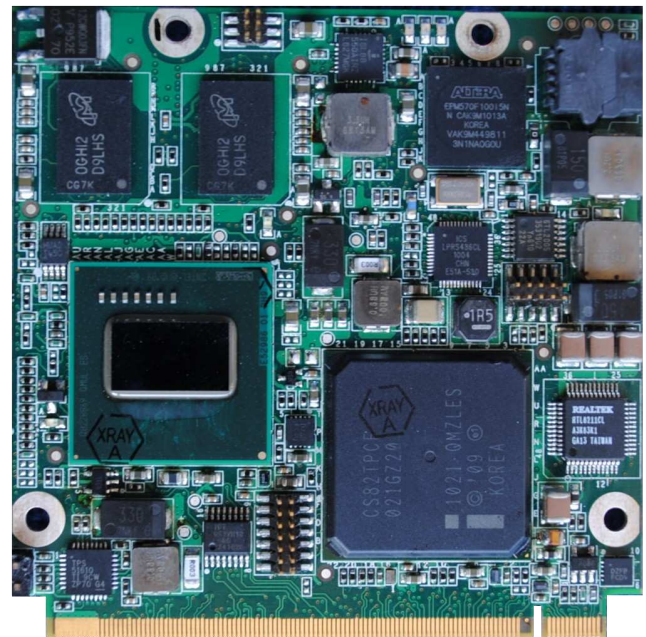


Processing & Performance

- ◆ Intel® Atom™ Processor E6xx (0.6 - 1.6 GHz)
- ◆ Up to 1 GB on-board DDR2
- ◆ Intel® Platform Controller Hub EG20T
- ◆ OS Compatibility: ready to run Windows® XP, Linux and Android environments

Connectivity & I/O

- ◆ High density I/O interfaces including USB, PCIe, SDIO, SATA, Gigabit Ethernet, etc.
- ◆ High Definition Audio and Video
- ◆ Integration-ready carrier boards and system solutions
- ◆ OEM customization services available



Optimal Cost/Performance for Mobile Media Processing Applications

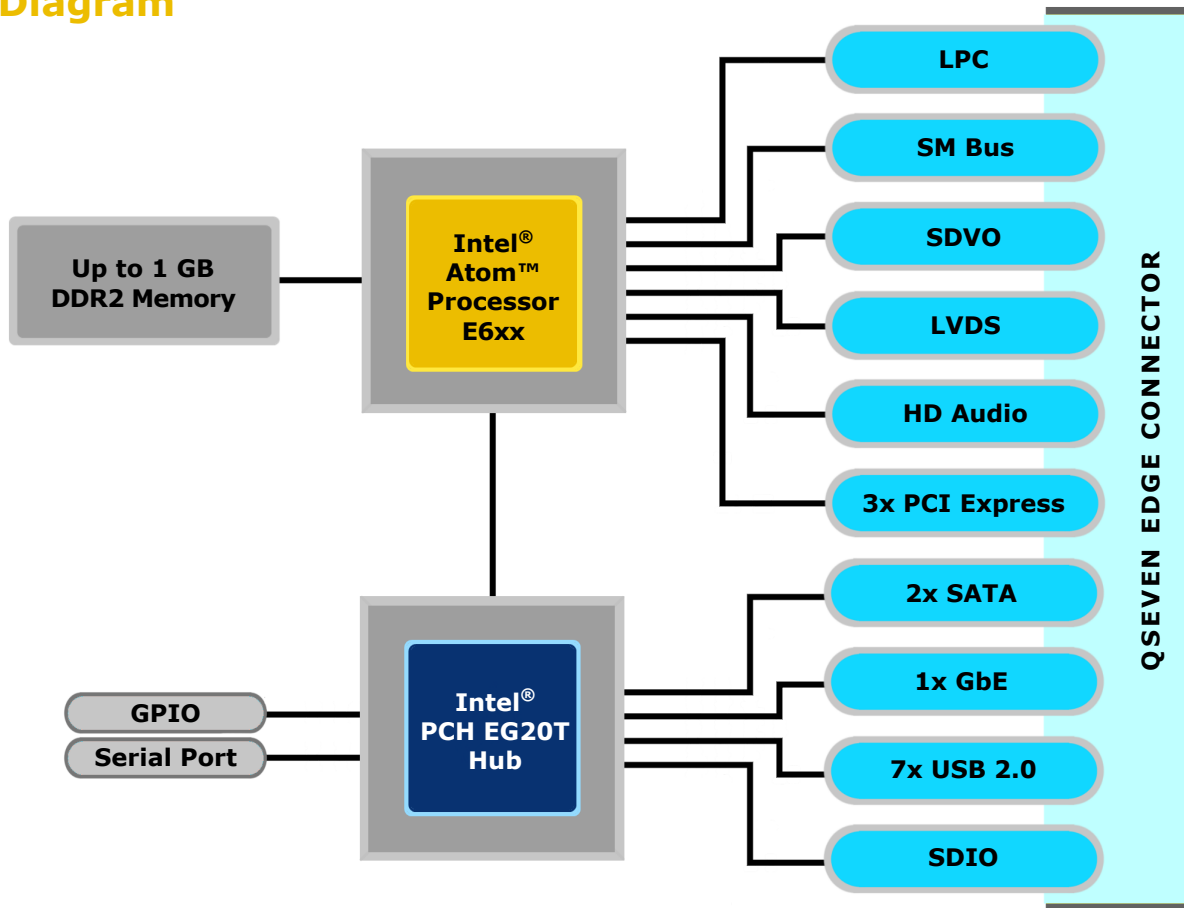
Ubiquitous connectivity and mobility are spawning innovative services in consumer and business sectors including financial, healthcare, logistics & distribution, and eGovernment. Applications are evolving rapidly, and developers require standards-compliant solutions in order to minimize project risk and speed time-to-market.

The Inforce IFC-9400 board delivers an extremely cost-effective platform solution for mobile application developers in a true Qseven™ compatible form factor. This compact, high-performance mobile computing platform can be immediately deployed in existing Qseven slots or used as the core processor of a stand-alone appliance. The IFC-9400 features the Intel® Atom processor E6xx series, a highly-integrated System-on-a-Chip (SoC) that combines an Intel® Atom processor core with a graphics video engine, dual display, HD audio, memory controller and PCI-Express interface on a single chip.

The Inforce IFC-9400 board is ideal for telemedicine appliances, digital signage devices, video phones, home automation, in-vehicle infotainment systems and other applications that benefit from high-definition media, connectivity and computing.

www.inforcecomputing.com

Block Diagram



Technical Specifications

Processor, Chipset & Memory

- ◆ Intel® Atom™ Processor E6xx Series (0.6-1.6 GHz, 512 KB L2 cache, 800 MHz FSB)
- ◆ Intel® Platform Controller Hub EG20T
- ◆ Up to 1 GB on-board DDR2 (800 MT/s)

I/O Interfaces (through Q7 Edge Connector)

- ◆ 7 USB 2.0
- ◆ 3 PCI Express x1
- ◆ LVDS
- ◆ SDVO
- ◆ HD Audio
- ◆ Gigabit Ethernet
- ◆ SDIO
- ◆ 2 SATA
- ◆ LPC
- ◆ SM Bus

Power, Mechanical & Environmental

- ◆ Power: +5V, 8W maximum
- ◆ Dimensions: Qseven compliant (70mm x 70mm)
- ◆ Operating Temp.: 0 to 70 C (std.); -10 to 85 C (ext.)
- ◆ Storage Temp.: -20 to 85 C
- ◆ Relative Humidity: 5 to 95% non-condensing
- ◆ RoHS compliant

www.inforcecomputing.com

India Sales & Support

InForce Computing India Pvt Ltd.
#24, 3rd Floor, 1st Cross, Magrath Road
Bangalore, 560025, India
Phone: +91 80 2556 6699
sales@inforcecomputing.com



Global Sales & Support

InForce Computing Inc.
48860 Milmont Dr., Ste 101C
Fremont, CA 94538 USA
Phone: (510) 683-9999
sales@inforcecomputing.com