



The Next Generation of High Performance Mobile Processing

Intrinsyc's DragonBoard Development Kit is a full featured Android™ development platform that provides an ideal starting point for creating high-performance embedded and handheld devices. Based upon QUALCOMM's powerful Snapdragon S4 Plus APQ8060A dual core application processor, the DragonBoard Development Kit includes all of the software tools and accessories required to immediately begin development work.

The platform is a kitted solution for application developers and OEMs to evaluate, develop, test, and deploy applications that utilize QUALCOMM's Snapdragon S4 Plus technology. It is comprised of the OPEN-Q™ main board which is a complete System-on-Module (SOM) as well as a Carrier board (mini ITX form factor) and a Peripheral Kit.

The BSP's are integrated into well-known development environments and run right out of the box with comprehensive driver support.

The DragonBoard Development Kit is a perfect building block for developing high performance solutions in the following verticals:

- Ruggedized Tablets
- Digital Signage
- Government/Public Safety
- Medical

The DragonBoard Development Kit is backed by an industry leading engineering team with experience working on over 400 embedded programs.

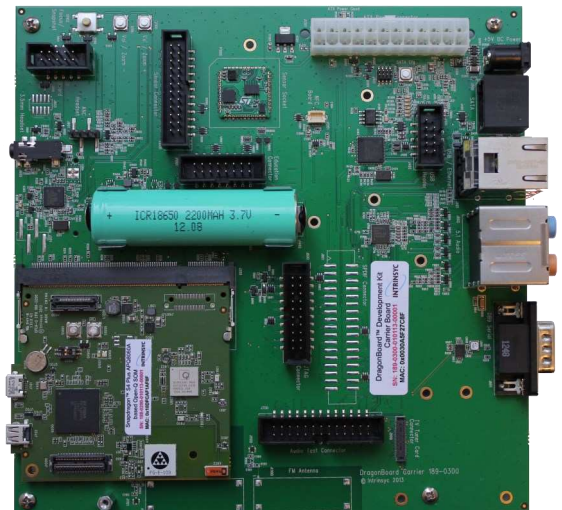
FEATURES

The DragonBoard Development Kit incorporates dual core high performance up to 1.5 Ghz Krait CPUs, a powerful multi-media engine, 1080p HD, Wi-Fi, Bluetooth, USB connectivity and support for sensors – compass, gyro, accelerometer, etc.

BENEFITS

The benefits of the Snapdragon S4 Plus APQ8060A and the DragonBoard Development Kit include:

- Best in class ARM™ Performance
- Best performance versus power consumption (dMIPS/mW)
- Adreno 225 GPU, Rich Multimedia with QDSP6
- Comprehensive Peripheral Support
- Multiple OS Options
- Aggressive Power Management
- SOM Component of the Kit can be Taken Directly into Production with the OPEN-Q System On Module





Comprehensive Solution for Evaluation

Intrinsyc is committed to providing our customers with effective solutions including offering all of the accessories and software required to have a complete solution up and running in a very short time.

Development Kit Description

The DragonBoard Development Kit comprises:

- SODIMM OPEN-Q Main Board SOM with Snapdragon S4 Plus APQ8060A processor
- Carrier Board (Mini-ITX Form Factor)
- Peripheral Kit: (LCD, Camera, Battery, Sensors)
- Power Supply
- Quick Start Guide, Licence Agreement
- Access to documentation and platform BSP

Advanced Power Management

Intrinsyc has years of experience developing software for power optimized devices. Our deep knowledge of operating systems, ARM architecture, and chipset-specific power management functionality, combined with QUALCOMM's advanced power management technologies enables APQ8060A based devices to provide best in class power management capabilities ensuring your product has a significant competitive advantage.

Remote Device Management

Intrinsyc's iDevice Manager is a patented, secure, failsafe and feature rich OTA software updater that provides software update capability to Snapdragon APQ8060A based devices in the field.

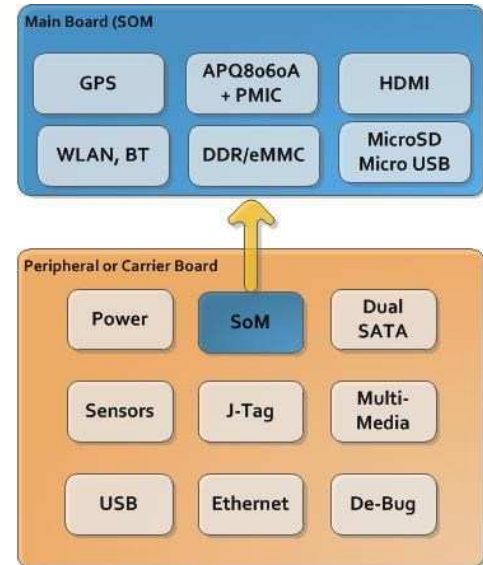
Intrinsyc Services

Intrinsyc provides wide-ranging development and project management services to customers building embedded and mobile devices worldwide. We have the hardware and software expertise to provide assistance with your Snapdragon S4 Plus APQ8060A design ranging from proof-of-concept, prototyping, use case optimization, and testing through to final production. Our significant experience helps customers deliver leading edge mobile and embedded products to market faster with reduced cost and risk.



Intrinsyc Software International, Inc. HQ
 Suite 380 – 885 Dunsmuir Street
 Vancouver, BC Canada V6C 1N5
 Phone: (604) 801-6461
 Email: dragonboard@intrinsyc.com

DRAGONBOARD DEV KIT



Hardware

- Processor: Snapdragon S4 Plus APQ8060A at up to 1.5 GHz
- PMIC with battery support
- Memory: 1GB of DDR2 RAM, 16GB of eMMC
- Connectivity: Wi-Fi, Bluetooth 4.0, Ethernet, GPS
- Display: HDMI out and WVGA LCD with capacitive touch
- Audio: 5.1 channel, 3.5 headset and microphone
- Connector: USB OTG & Host, UART, JTAG
- Camera
- External storage: Micro SD, SATA
- Sensors: compass, gyro, accelerometer, etc.

Software

- Android 4.0, with a multiple OS roadmap
- Device provisioning through iDevice Manager

To order the following Products:
DragonBoard Development Kit
OPEN-Q System On Module
 Go to www.intrinsyc.com/dragonboard