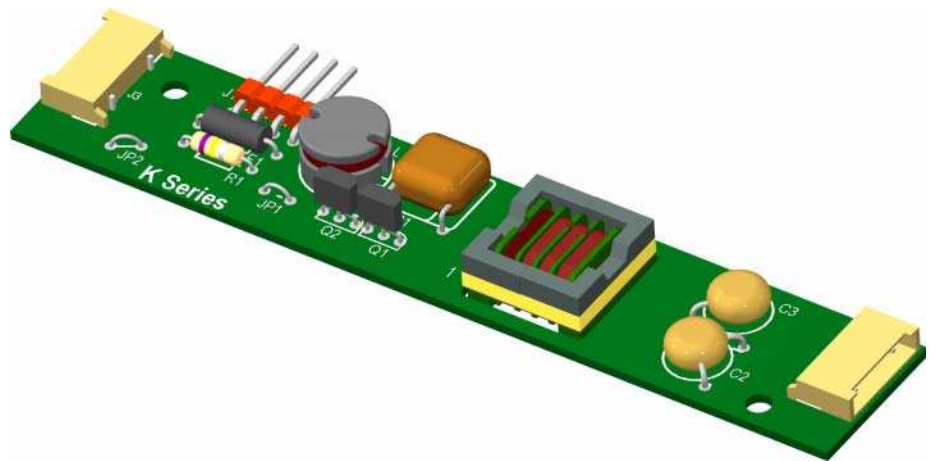


## Low Profile Solution for 2 Tube LCD Modules

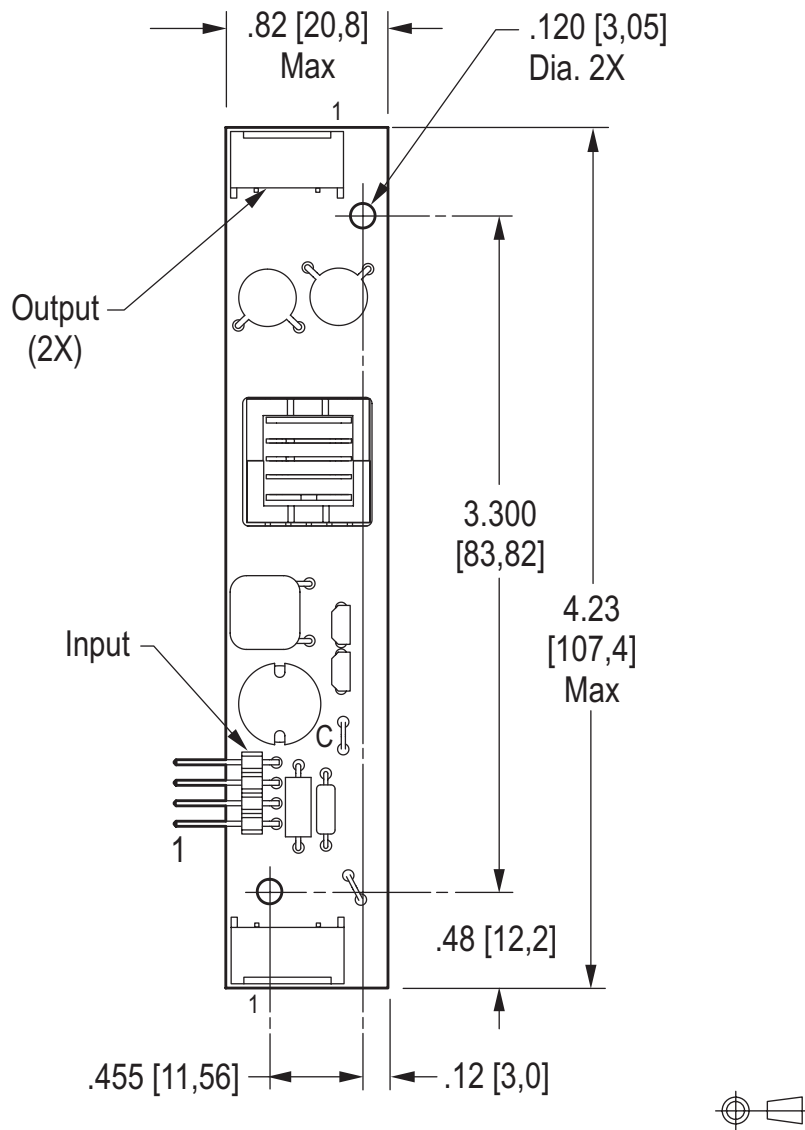


- Low Cost
- Two Tubes
- High Efficiency
- 8 Millimeters High
- Up to 5 Watts of Output Power
- External Control and PWM Dimming
- Integrated Input and Output Connectors
- Fully Synchronized Lighting of 2 CCF Tubes
- Designed, Manufactured and Supported in the USA
- One Year Warranty

# K Series



## Product Configuration



\* This product assembly meets IPC-A-610 Class II Standards.

Mass: 15 grams

Pin Designations	
J1-1	Vin (+)
J1-2	Vin (-)
J1-3	Control
J1-4	NC

Specifications Subject to Change Without Notice



## Endicott Research Group, Inc.

2601 Wayne St., Endicott, NY 13760

607-754-9187 Fax 607-754-9255

<http://www.ergpower.com>