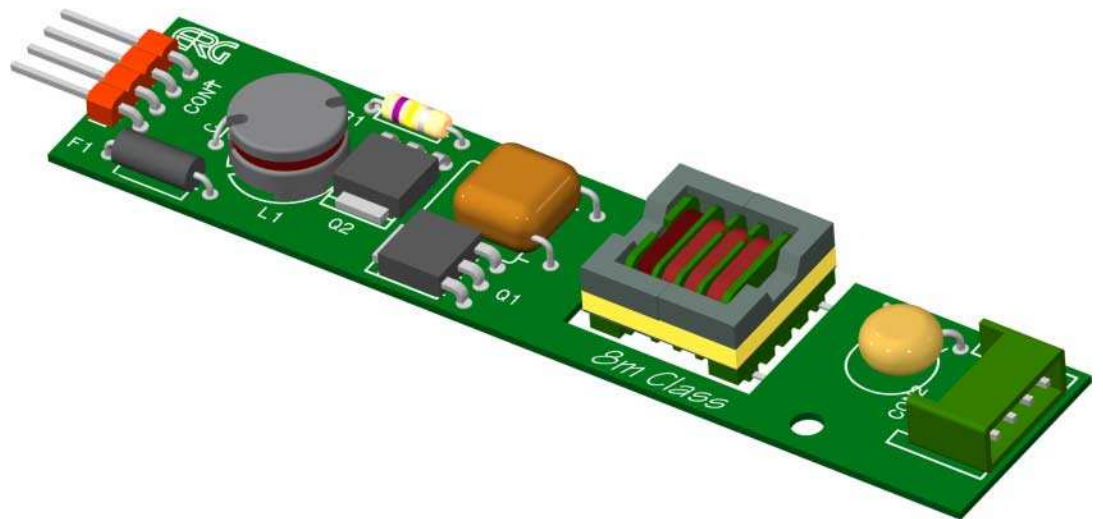


## Low Profile Solution for Single Tube LCD Modules

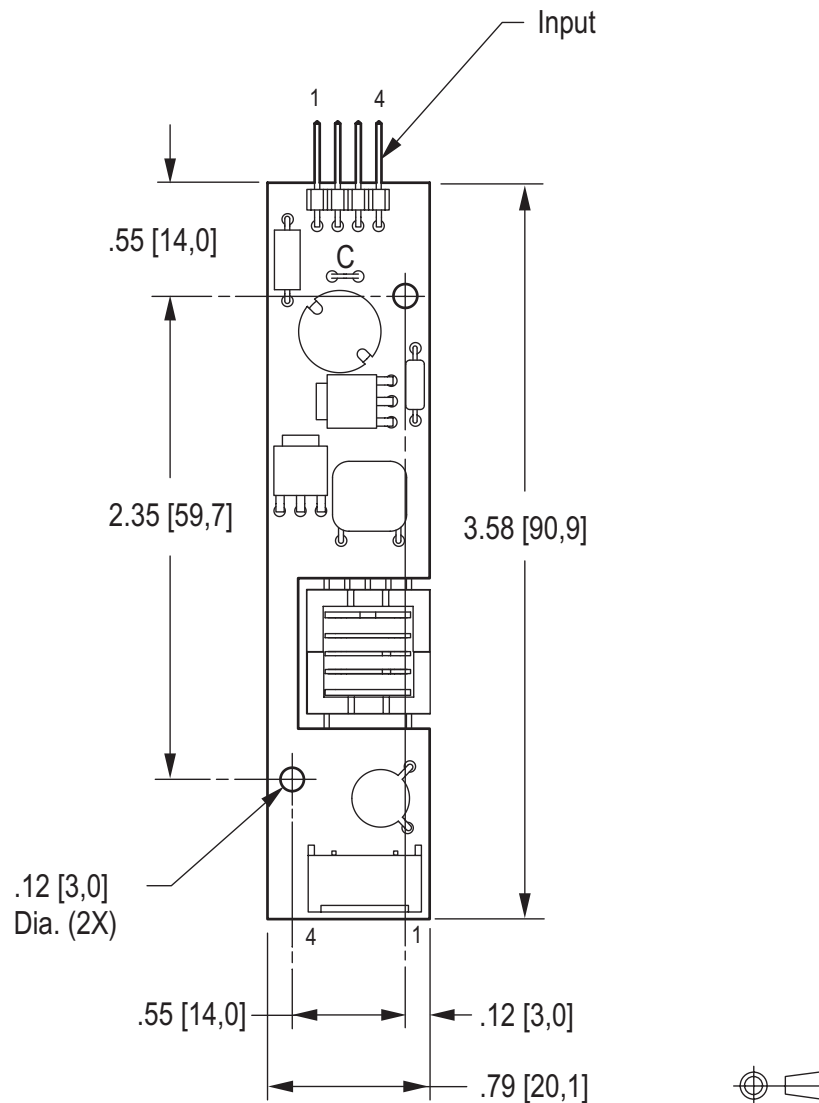


- High Efficiency
- 8 Millimeters High
- Up to 5 Watts of Output Power
- External Control and PWM Dimming
- Integrated Input and Output Connectors
- Designed, Manufactured and Supported in the USA
- One Year Warranty

# 8m Class



## Product Configuration



\* This product assembly meets IPC-A-610 Class II Standards.

Mass: 12 grams

Pin Designations			
Input		Output	
1	+Vin	1	ACout
2	GND	2	NC
3	Control	3	NC
4	NC	4	ACout

Specifications Subject to Change Without Notice



Endicott Research Group, Inc.

2601 Wayne St., Endicott, NY 13760

607-754-9187 Fax 607-754-9255

<http://www.ergpower.com>