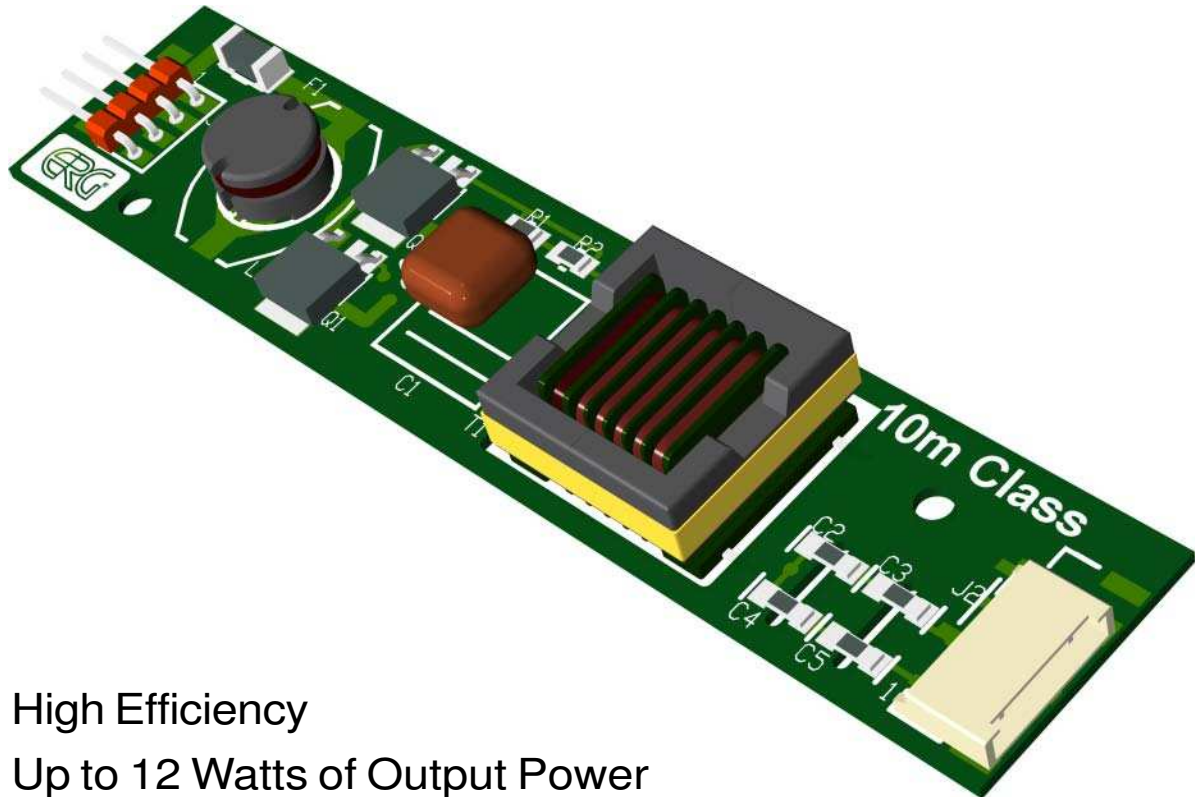


10m Class DC/AC Inverter



High Power Low Profile Solution for 1 or 2 Lamp LCD Modules



- High Efficiency
- Up to 12 Watts of Output Power
- Up to 2400 Vrms Starting Voltage
- Excellent for “U” and “L” Shaped Lamps
- Integrated Input and Output Connectors
- Small Package Size, less than 10 mm in Height
- Designed, Manufactured and Supported in the USA
- One Year Warranty



Endicott Research Group, Inc.

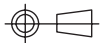
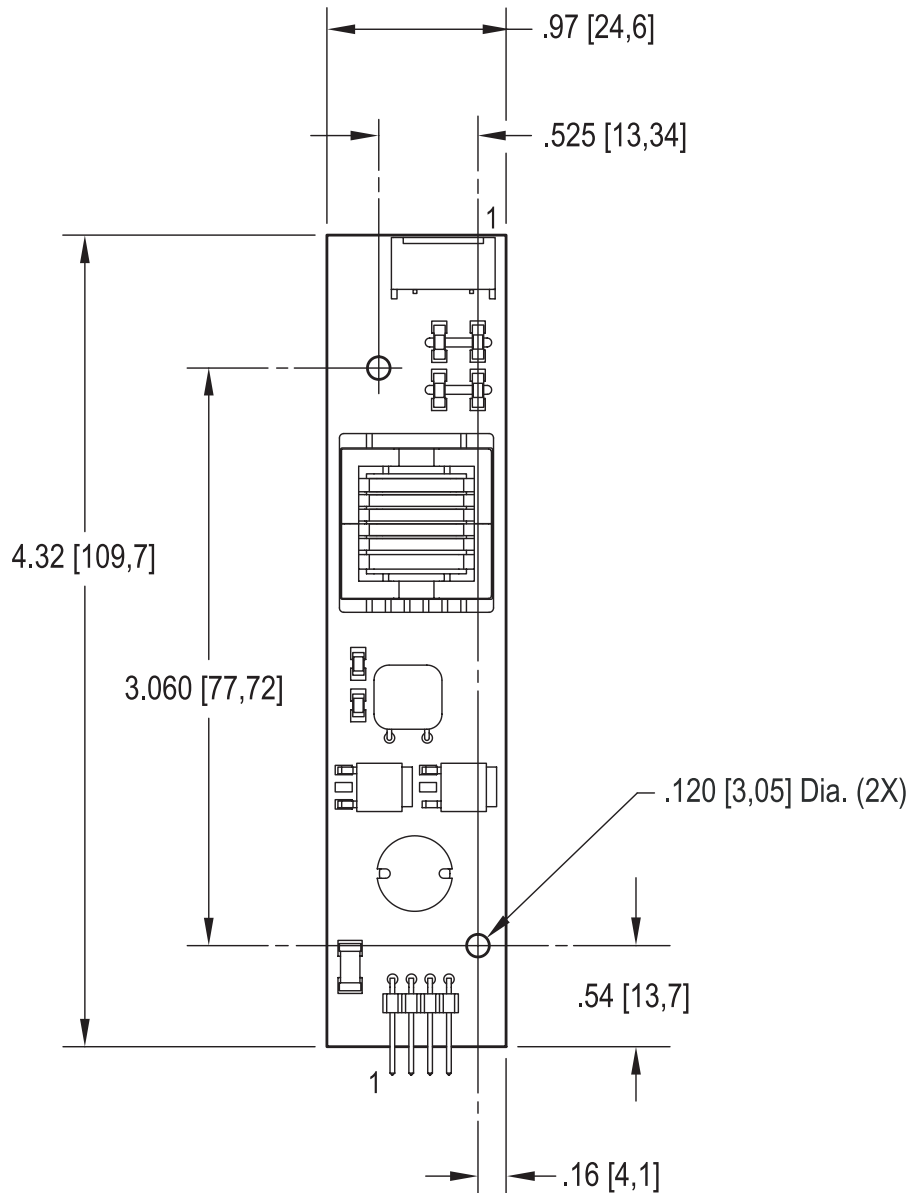
2601 Wayne St., Endicott, NY 13760
607-754-9187 Fax 607-754-9255
<http://www.ergpower.com>



10m Class DC/AC Inverter



Product Configuration



* This product assembly meets
IPC-A-610 Class II Standards.

Mass: 22 grams

Specifications Subject to Change Without Notice



Endicott Research Group, Inc.

2601 Wayne St., Endicott, NY 13760

607-754-9187 Fax 607-754-9255

<http://www.ergpower.com>

10m - 04/05