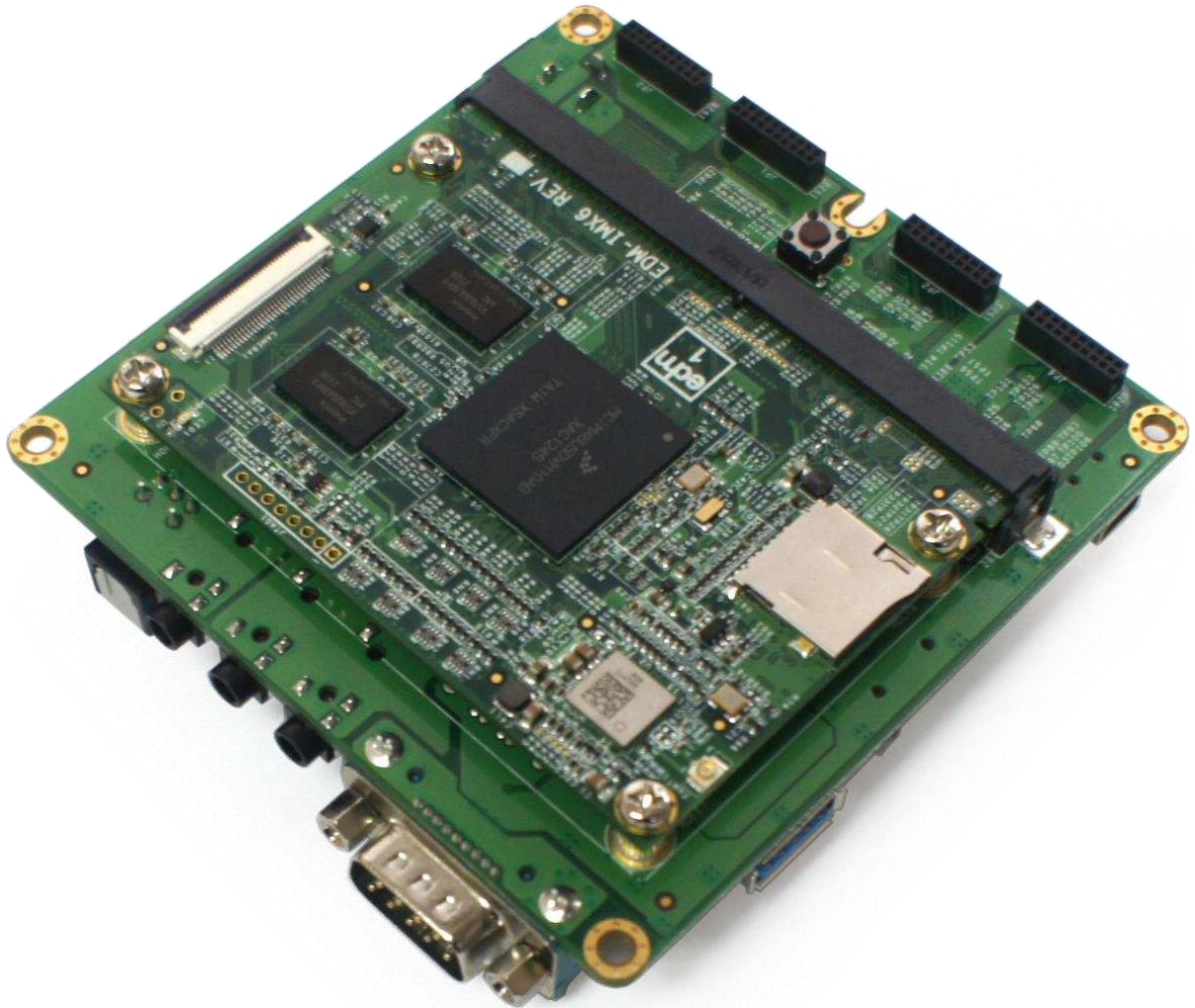




WANDBOARD.ORG



WANDBOARD USER GUIDE

(20130208)



WANDBOARD DESIGN AND DISCLAIMER

These design materials referred to in this document are ***NOT SUPPORTED*** and **DO NOT** constitute a reference design. Only "community" support is allowed via resources at [Wandboard.org](https://wandboard.org) forums.

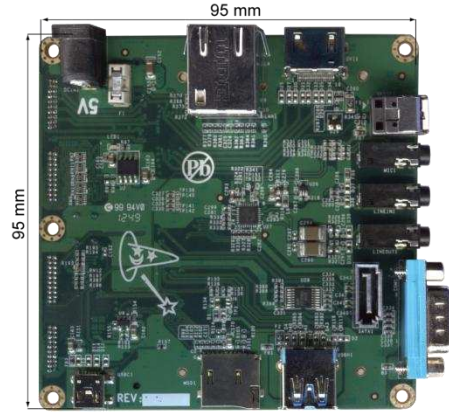
THERE IS NO WARRANTY FOR THE DESIGN MATERIALS, TO THE EXTENT PERMITTED BY APPLICABLE LAW. EXCEPT WHEN OTHERWISE STATED IN WRITING THE COPYRIGHT HOLDERS AND/OR OTHER PARTIES PROVIDE THE DESIGN MATERIALS "AS IS" WITHOUT WARRANTY OF ANY KIND, EITHER EXPRESSED OR IMPLIED, INCLUDING, BUT NOT LIMITED TO, THE IMPLIED WARRANTIES OF MERCHANTABILITY AND FITNESS FOR A PARTICULAR PURPOSE. THE ENTIRE RISK AS TO THE QUALITY AND PERFORMANCE OF THE DESIGN MATERIALS IS WITH YOU. SHOULD THE DESIGN MATERIALS PROVE DEFECTIVE, YOU ASSUME THE COST OF ALL NECESSARY SERVICING, REPAIR OR CORRECTION.

This board was designed as an evaluation and development tool. It was not designed with any other application in mind. As such, these design materials may or may not be suitable for any other purposes. If used, the design material becomes your responsibility as to whether or not it meets your specific needs or your specific applications and may require changes to meet your requirements.



Freescale i.MX6 Cortex-A9
Low cost open source community
Development Board

Dimensional drawing

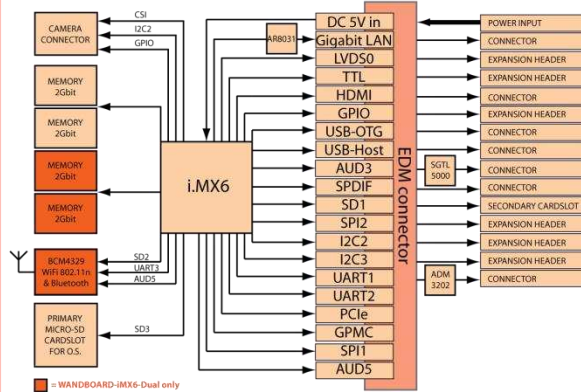


Specifications

	Wandboard Solo	Wandboard Dual
Processor	i.MX6 Solo	i.MX6 DualLite
Cores	ARM Cortex-A9 Single core @ 1GHz	ARM Cortex-A9 Dual core @ 1GHz
Memory	512 MB DDR3	1 GB DDR3
Audio	✓	✓
Optical S/PDIF	✓	✓
HDMI	✓	✓
Camera interface	✓	✓
micro SD cardslot	2	2
Serial port	✓	✓
Expansion Header	✓	✓
USB	✓	✓
USB OTG	✓	✓
SATA connector	Not populated	Not populated
Gigabit LAN	✓	✓
WIFI (802.11n)	X	✓
Bluetooth	X	✓

Complete Schematics, Source Code and Documentation can be found on www.wandboard.org

Block diagram



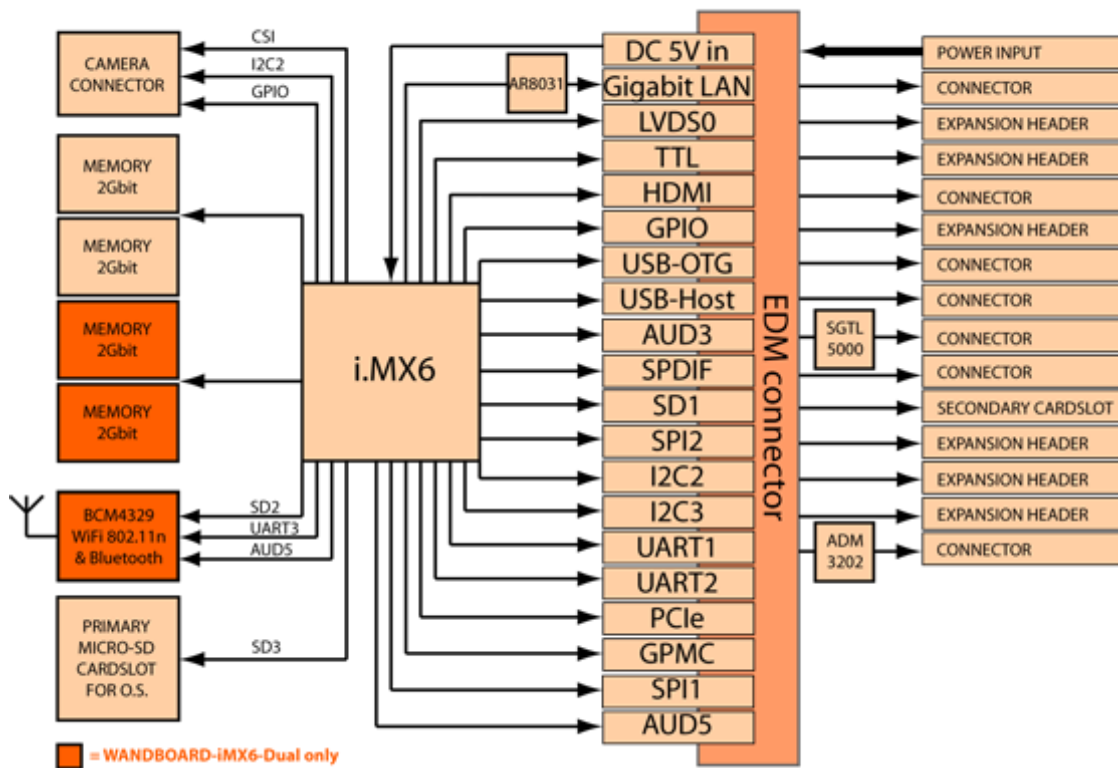
Order information

Wandboard Solo i.MX6 Solo
Wandboard Dual i.MX6 DualLite
Accessory Enclosure

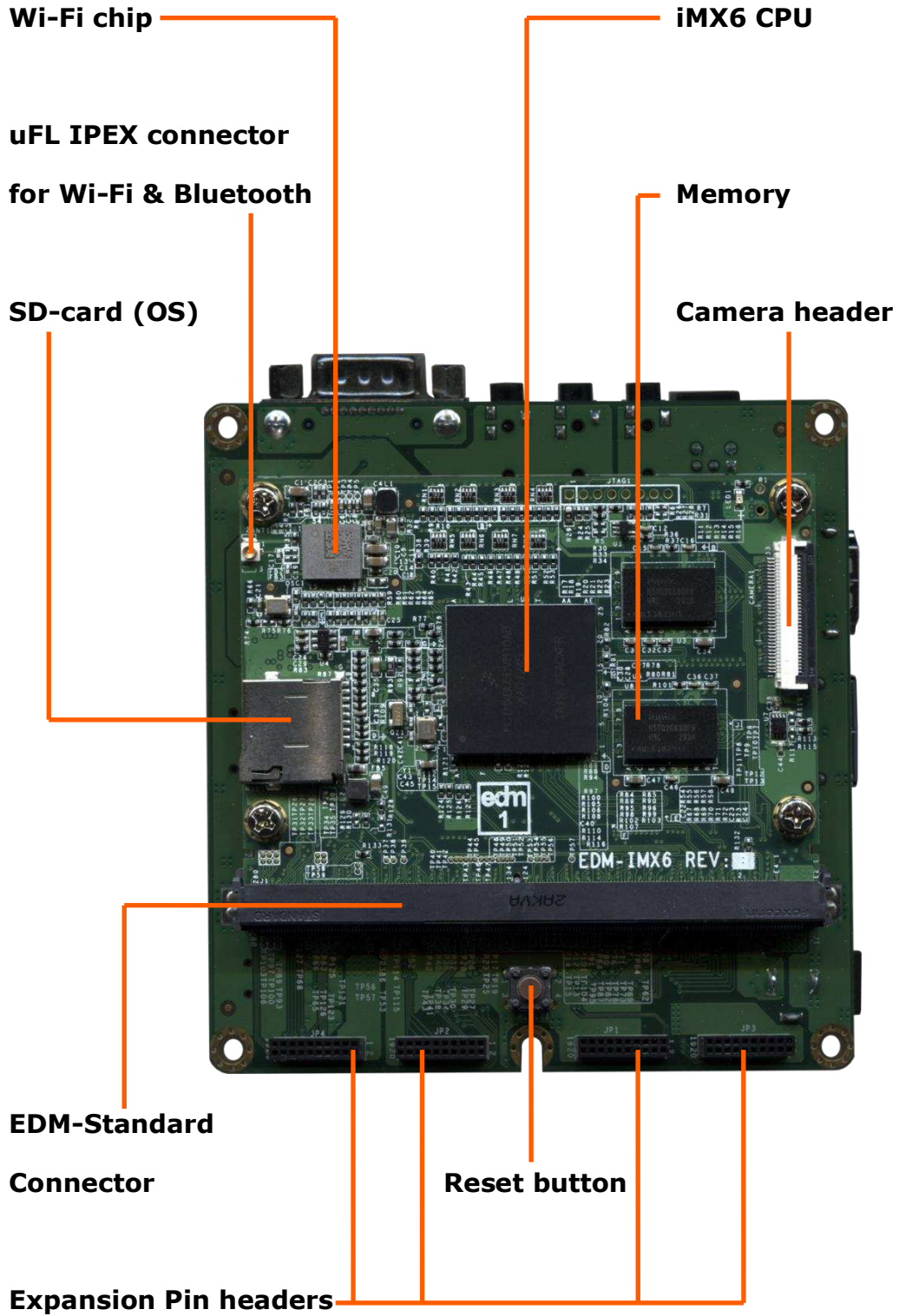


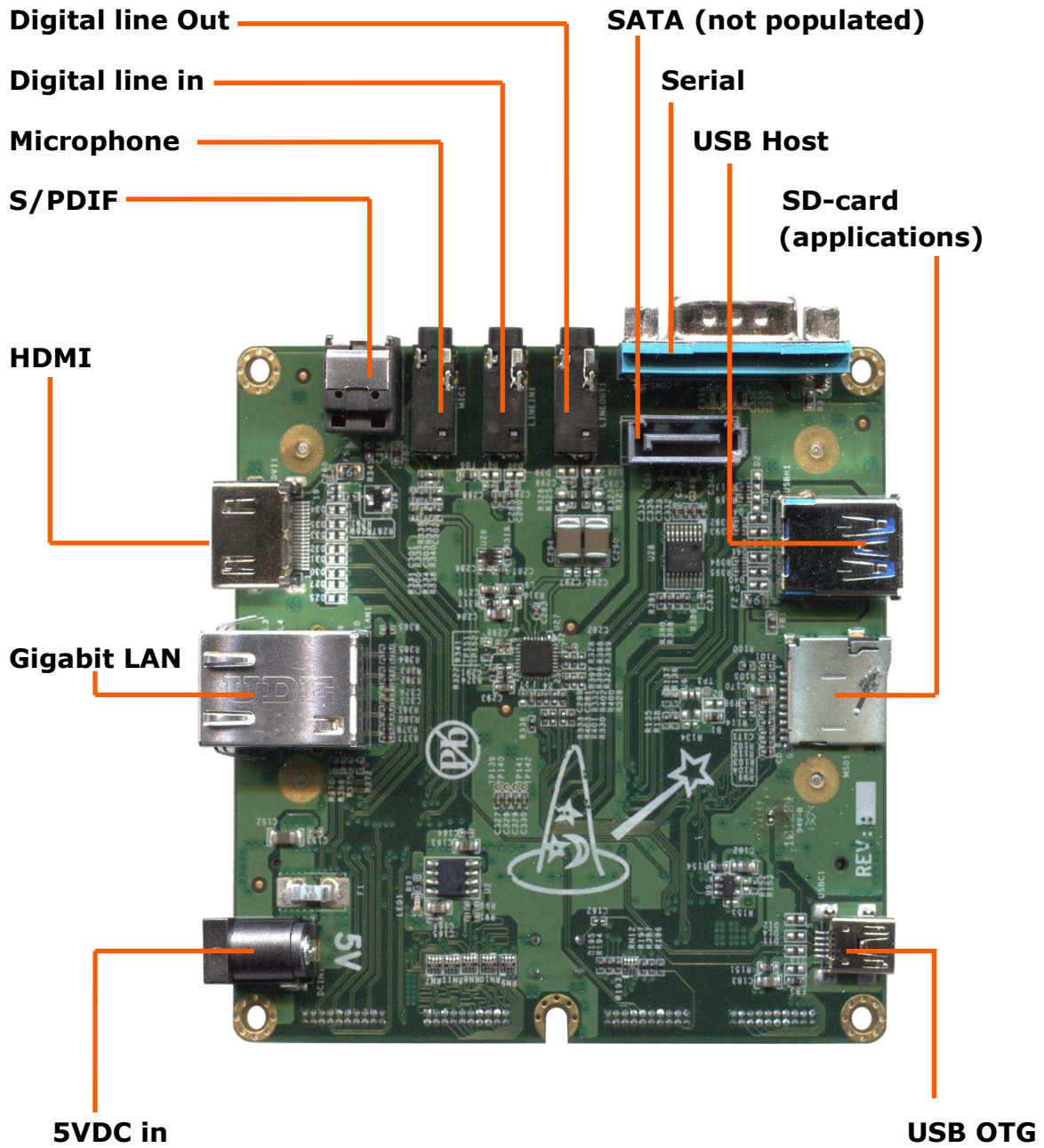
Block Diagram

WANDBOARD BLOCK DIAGRAM



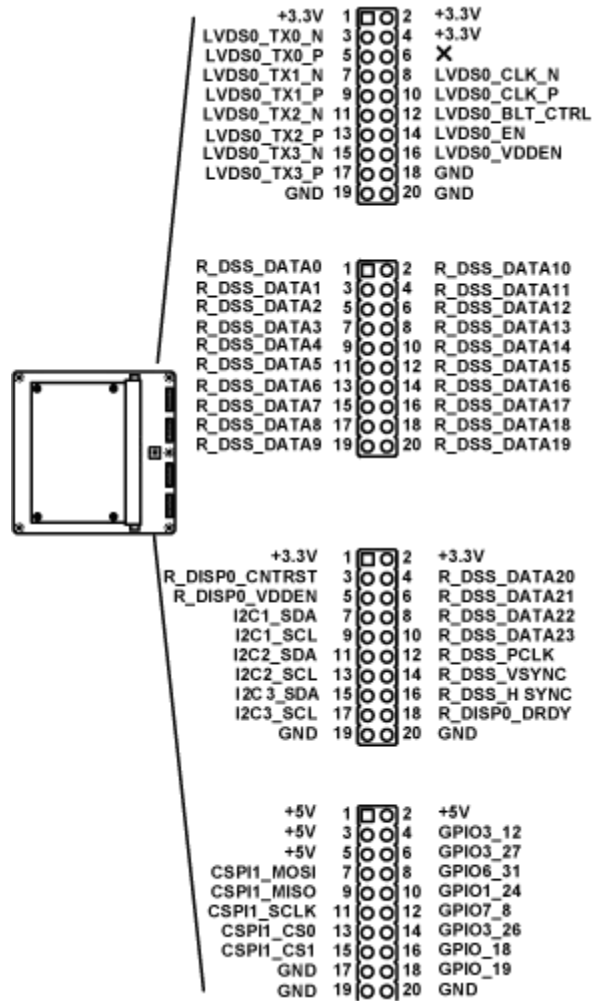
Overview





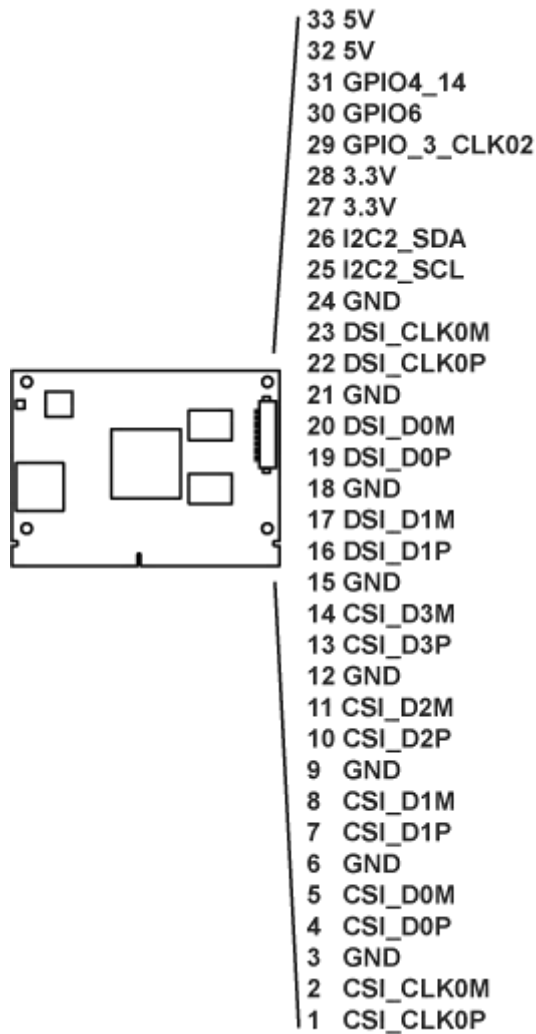


Expansion pin headers



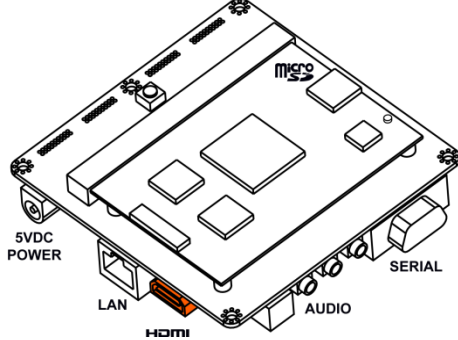


Camera header

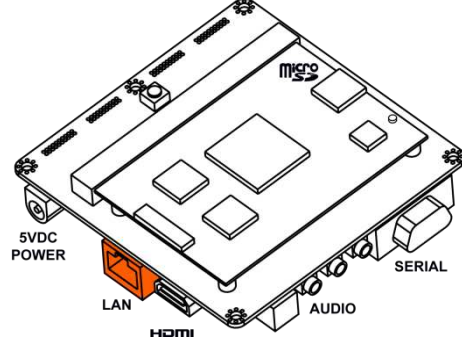


Quick Start Guide

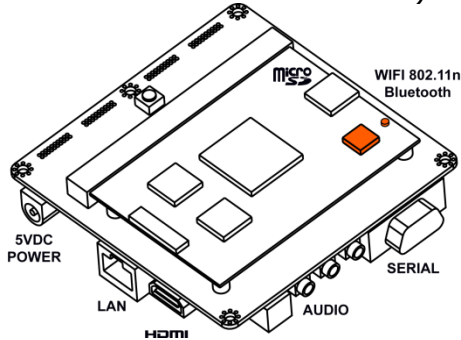
a) Connect display: use a quality HDMI cable to connect to your HDMI TV or Monitor.



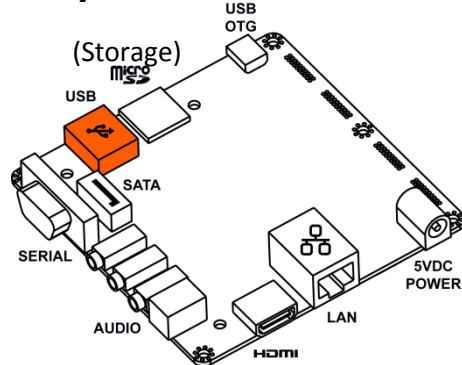
b) Connect network: use a standard RJ45 LAN cable to connect your wired network (optional)



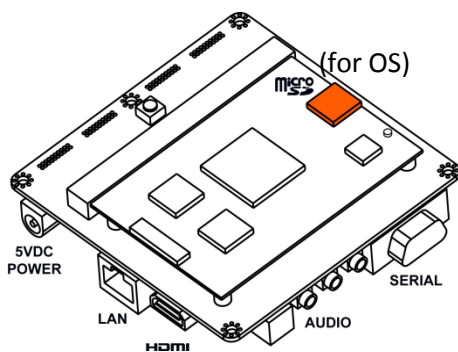
c) Connect wireless antenna (sold separately). This option is only available on Wandboard dual)



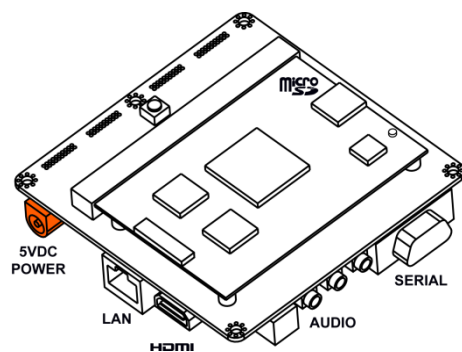
d) Connect a standard USB mouse or keyboard



e) Insert the microSD (orange microSD card slot)



f) Power up: Plug in a power supply (5 VDC at 2A is recommended)



Read the last 2 pages of this document to create a microSD card containing the Operating System.



Preparing the bootable microSD card for your Wandboard

The microSD card that is created below will contain the Wandboard operating system. A large number of demo runtime images are available.

1. Procedures to get you started

- a) Download your preferred Wandboard runtime image
<http://www.wandboard.org/index.php/downloads>
- b) Extract the file that you just downloaded
 - Right click on the file and choose "Extract all".
 - The extracted files will contain a file ending in *.img*

2. Instructions for Linux users

This paragraph explains how to create a SD card using Linux desktop or notebook. The SD card can be made using a standard terminal.

```
# dd if=*.img of=/dev/sdd bs=1M
```

replace **.img* with the full name of the SD card image and replace */dev/sdd* with your SD card device".

3. Instructions for Windows users

This paragraph explains how to create a SD card using Windows desktop or notebook.

Note: the *.img* file can only be written to your microSD card by special disk imaging software. This disk imaging software is included in the downloads at wandboard.org or can be downloaded according the instructions in paragraph 3.1.

3.1 Download the Win32DiskImager software

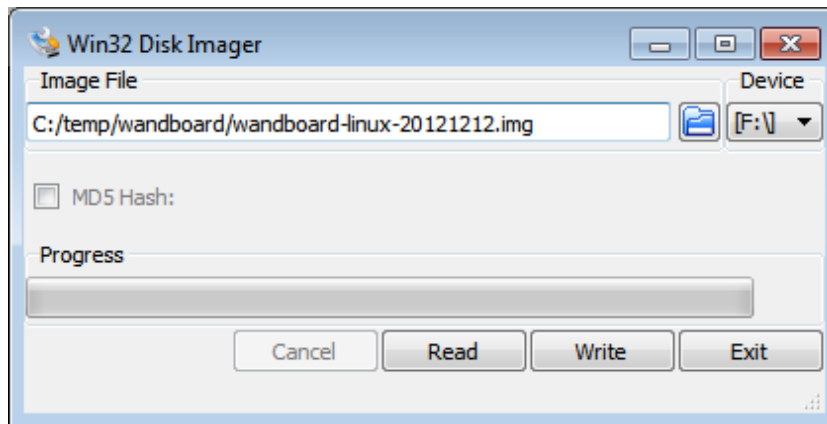
- a) Download *win32diskimager-binary.zip* from:
<http://sourceforge.net/projects/win32diskimager/>
- b) Right click on the file and choose "Extract all".
- c) This will create a new folder called *win32diskimager-binary*



You are now ready to write the Wandboard runtime image to your microSD card.

3.2 Writing the image to the microSD card

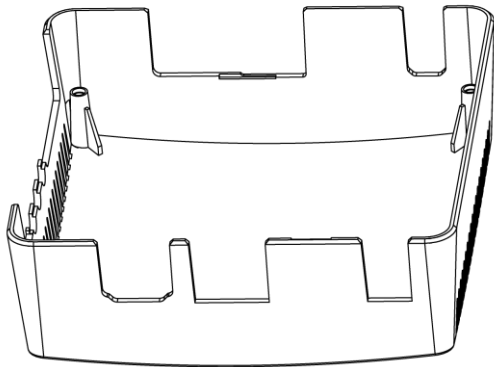
- a) Insert your microSD card into your PC (Check which drive is assigned to your device).
- b) In the folder you made in step 3.1(c), run the file named *Win32DiskImager.exe* (in Windows Vista, 7 and 8 we recommend that you right-click this file and choose "Run as administrator").
- c) If the SD card (*Device*) you are using isn't found automatically. Click on the drop down box and select it
- d) In the *Image File* box, choose the *.img* file that you download previously



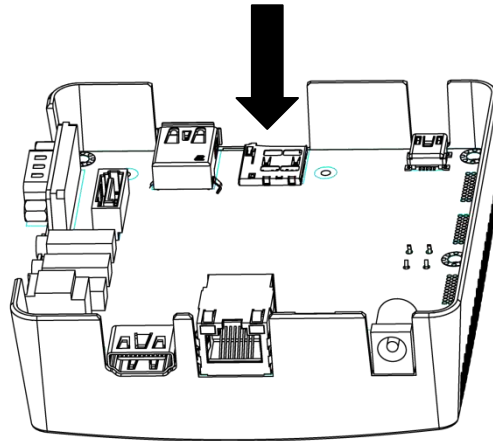
Warning: Make sure you write to the correct device. (check step 3.2a)

- e) Click *Write*
- f) After a few minutes you receive a notification that your microSD has been created successfully.

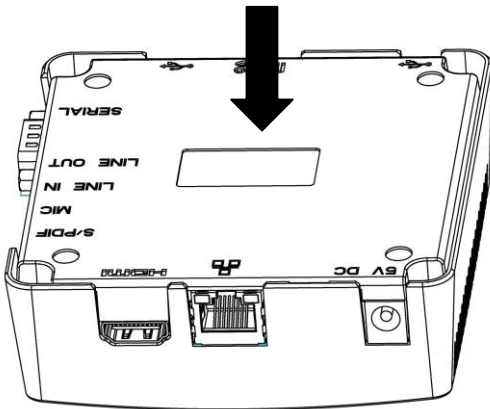
Assembly of the Wandboard Enclosure



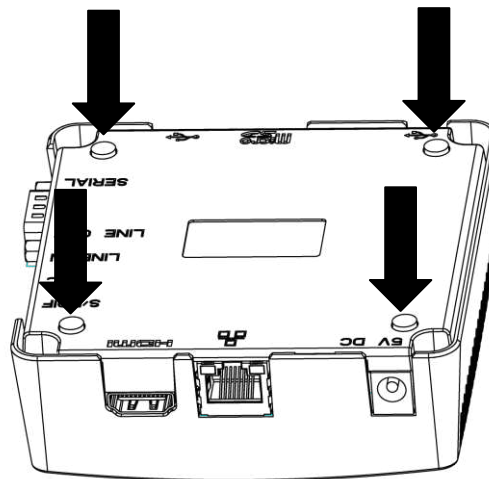
Step1 - Place the top-case on a soft surface



Step2 - Insert your Wandboard



Step3 - Insert bottom part



Step4 - Fasten the screws and
the rubber feet



Schematics

On the following pages you will find the schematics of the Freescale iMX6 module and the Wandboard Interface Board.

Components marked with -x are not populated.

EDM-iMX6 REV:A

PAGE TITLE

P01 Index

P02 iMX6_POWER

P03 iMX6_DDR3

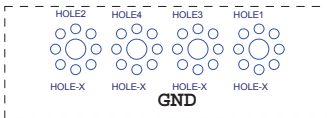
P04 iMX6_SOC

P05 iMX6_USB

P06 GiGa Ethernet

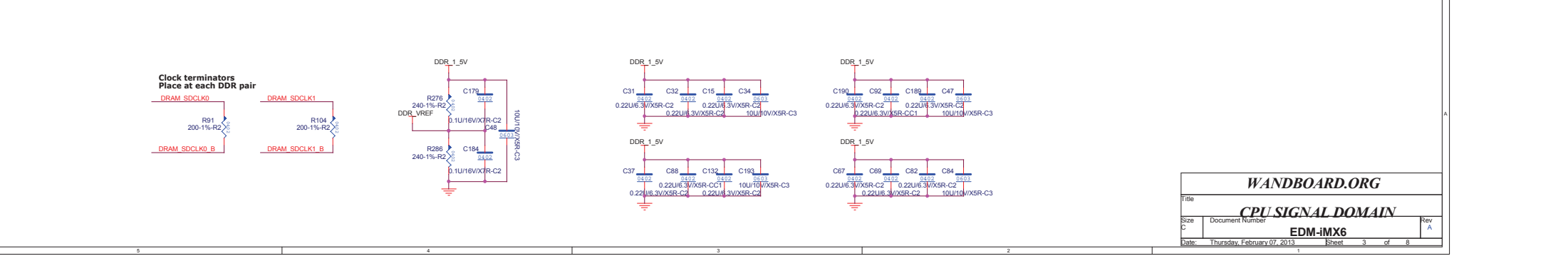
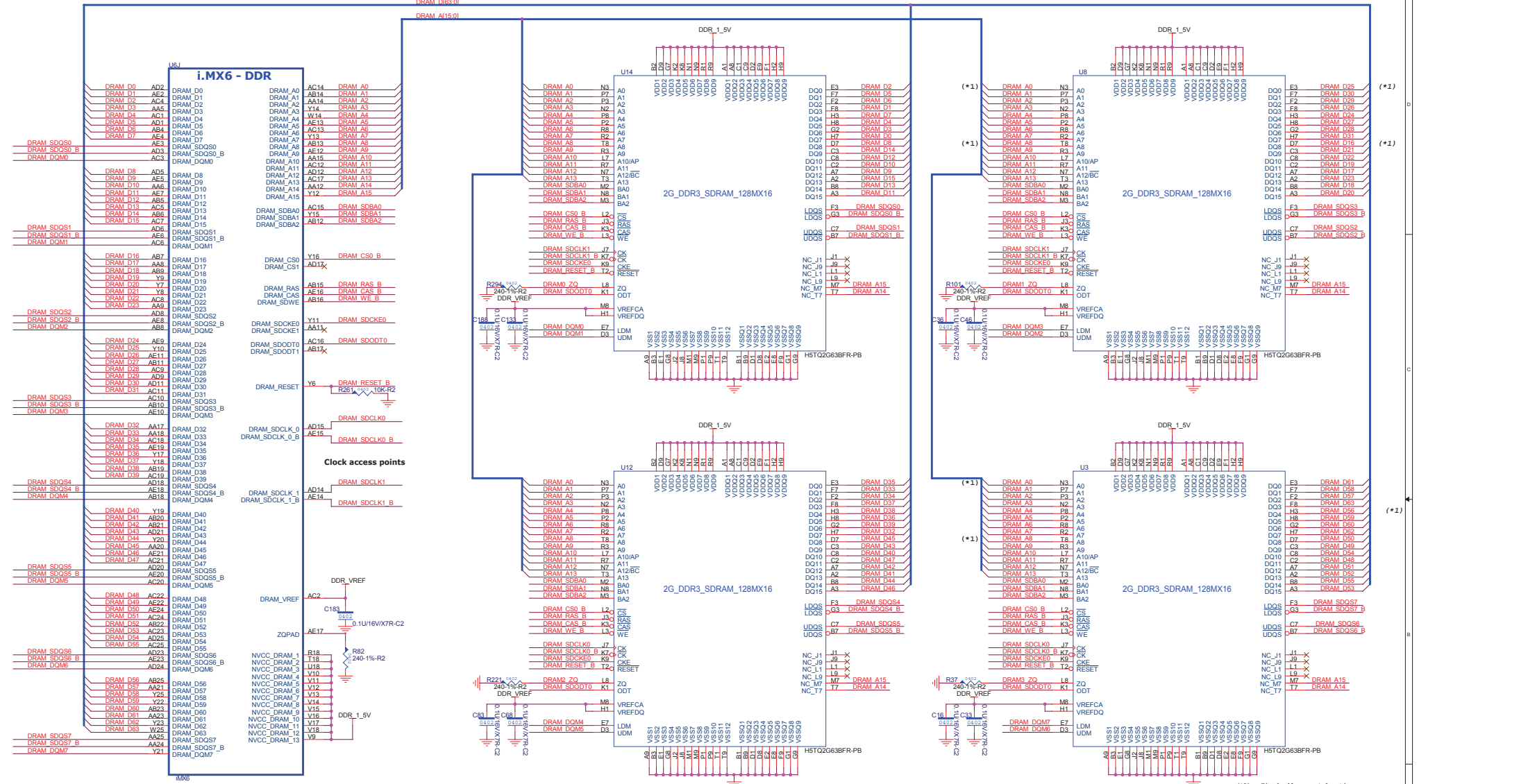
P07 WLAN & BT

P08 Expansion CONN.

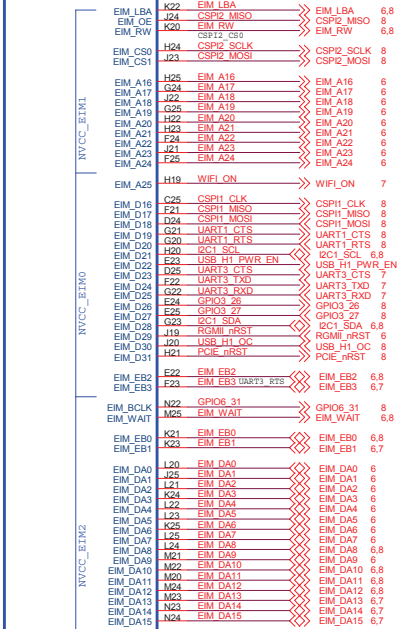


WANDBOARD.ORG

Title		
Index		
Size	Document Number	Rev
C	EDM-IMX6	A
Date: Thursday, February 07, 2013 Sheet 1 of 8		

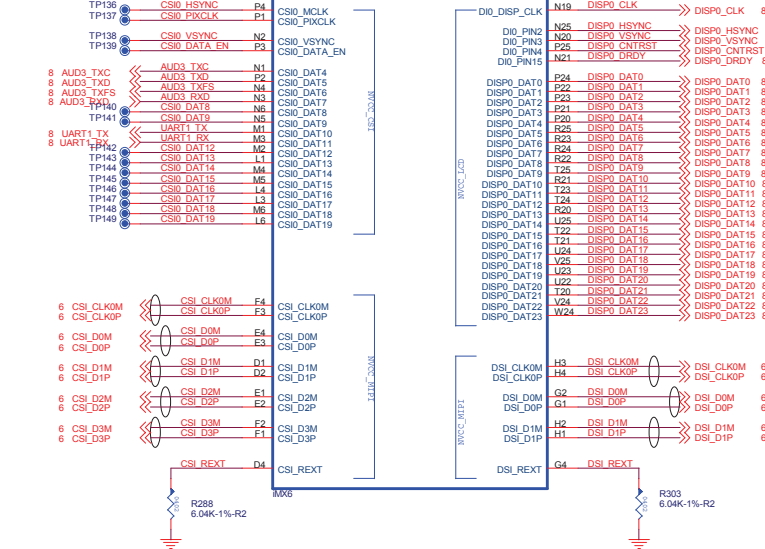


USA i.MX6 - EIM

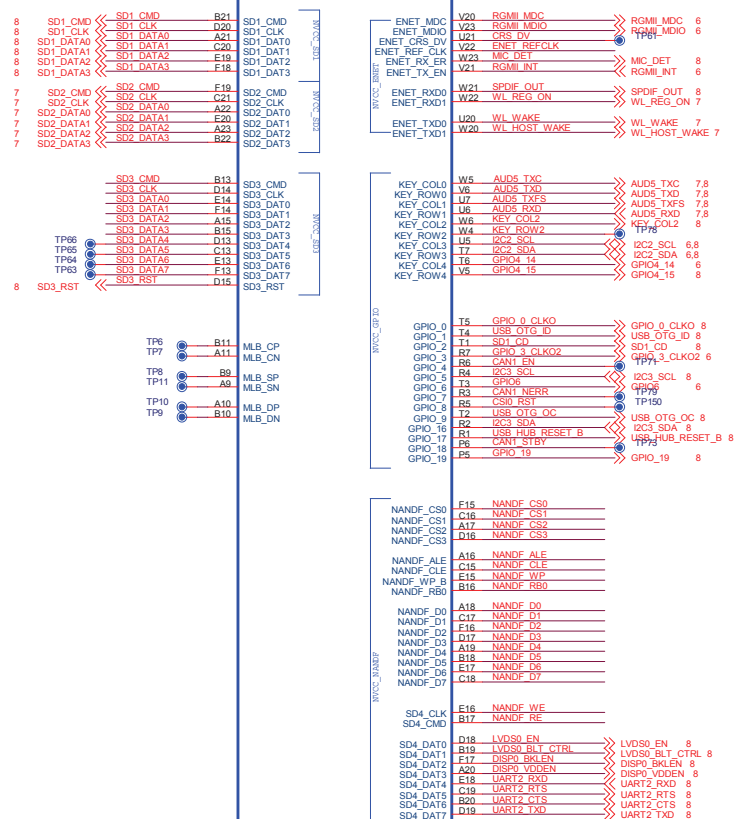


MM6

UBD i.MX6 - DISP; CSI

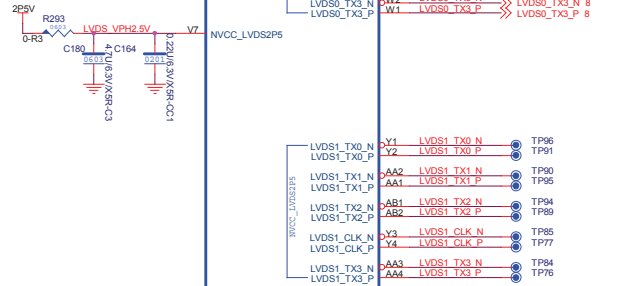
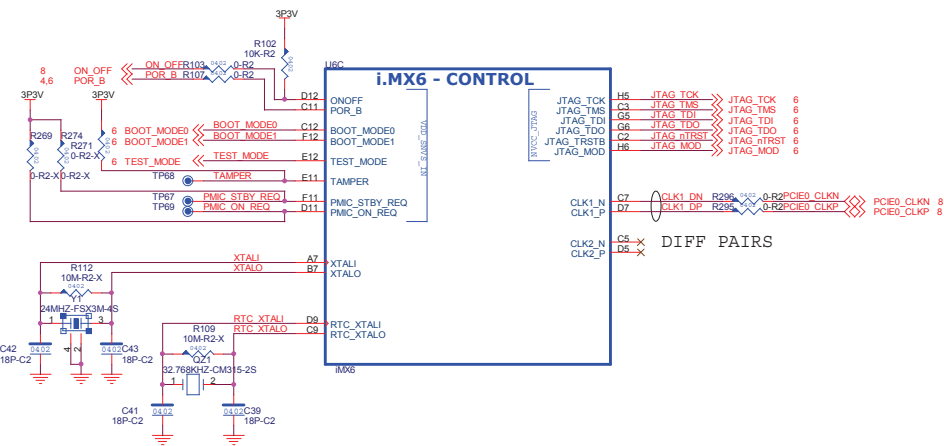
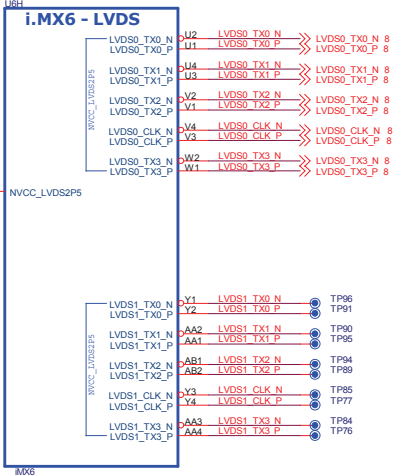
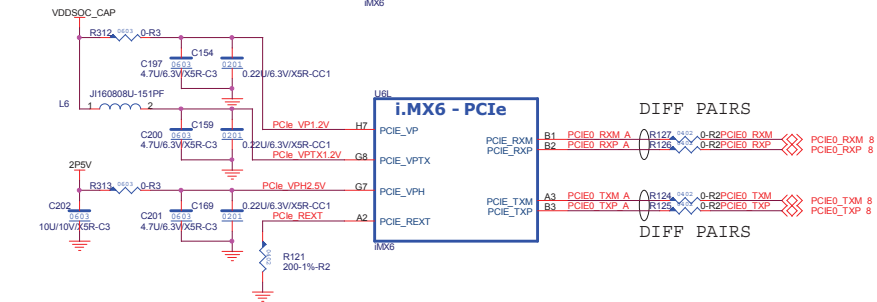
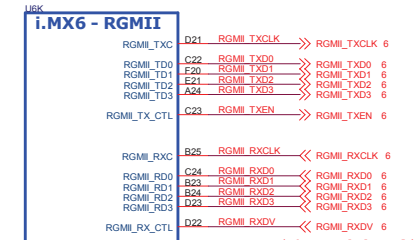
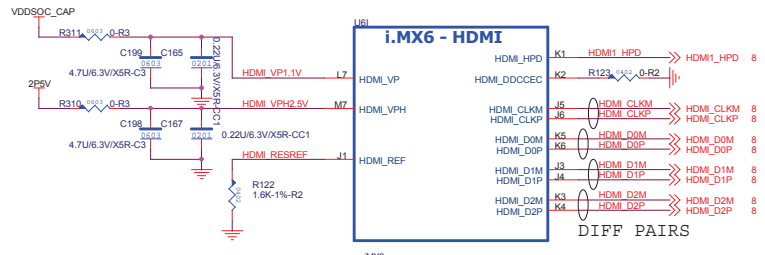
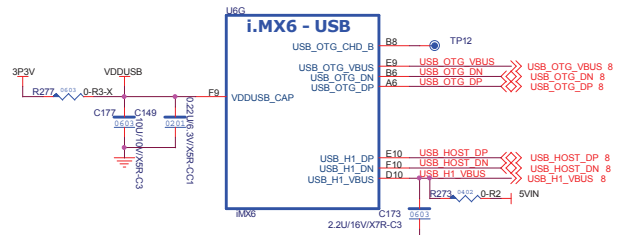
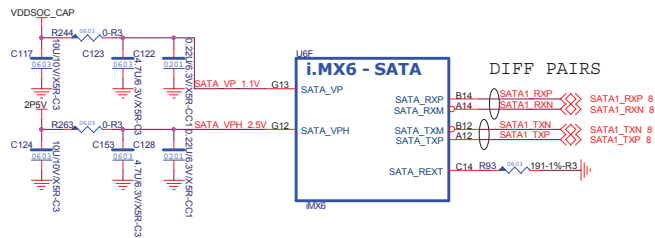


UBB i.MX6



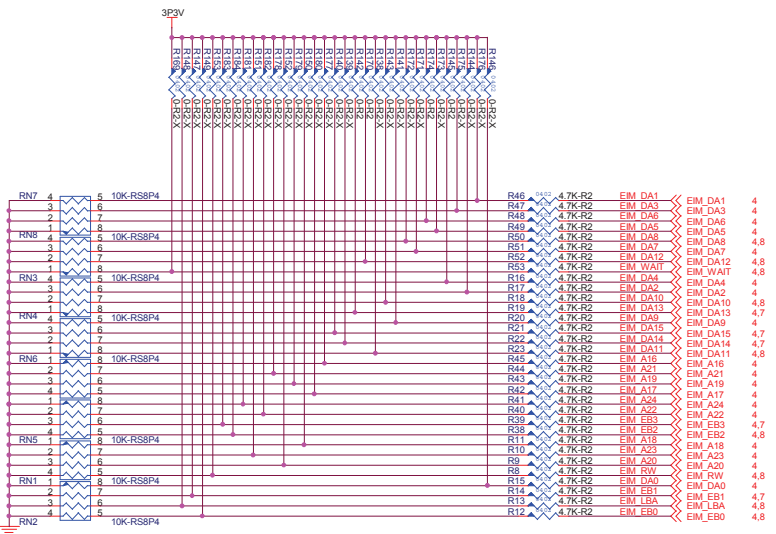
MM6



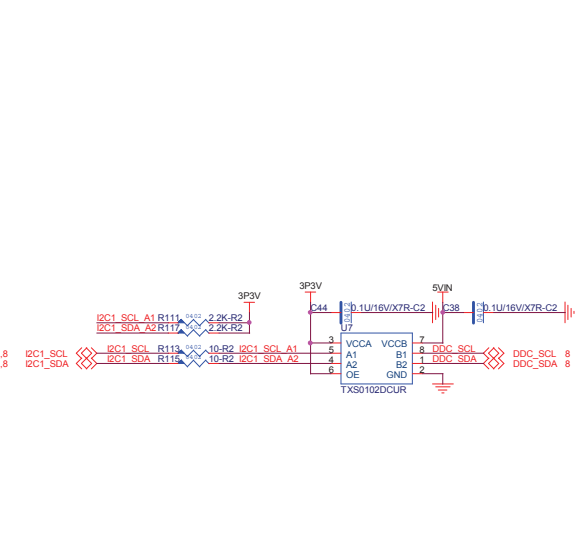


Layout: High speed data lines : 50 ohms
Put the 33ohm resistors in this page near imx6Q

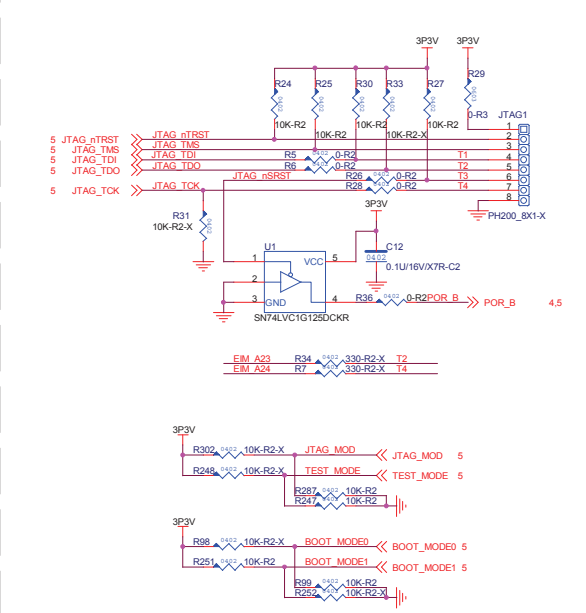
Boot Config Select



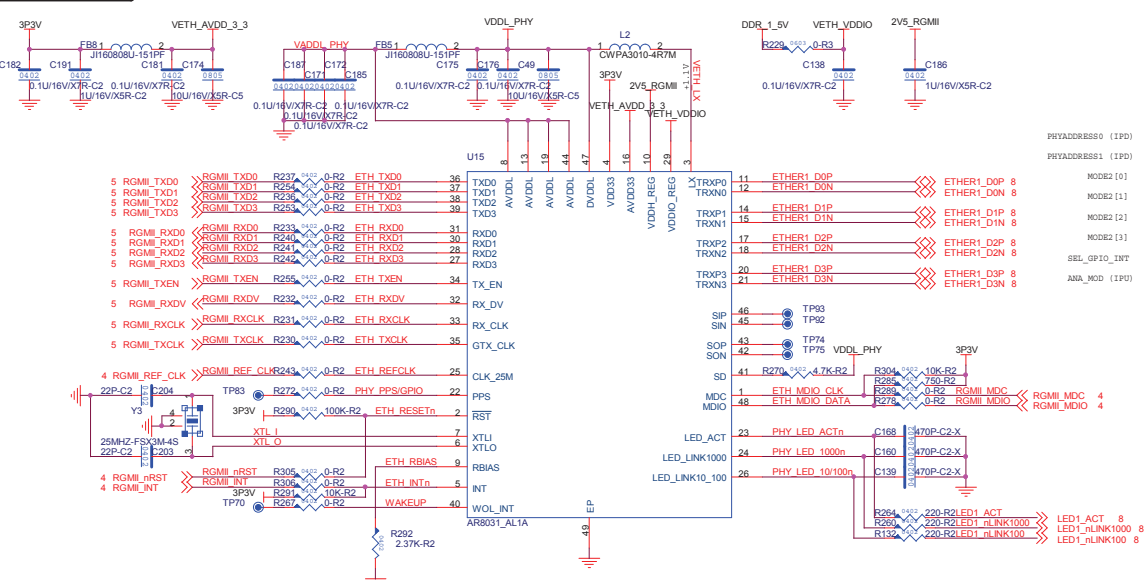
JTAG



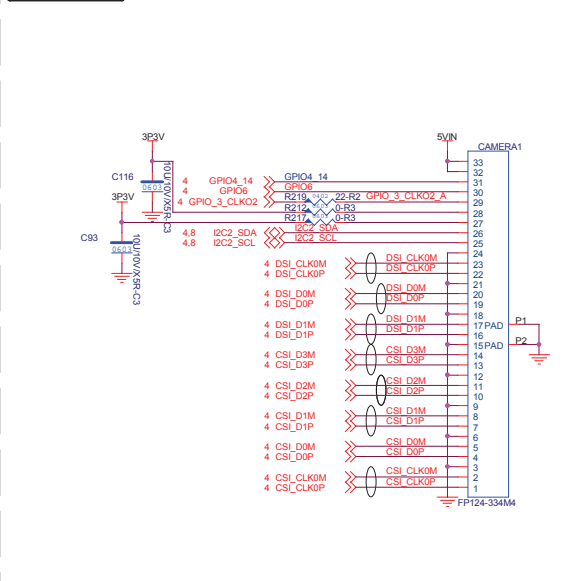
JTAG



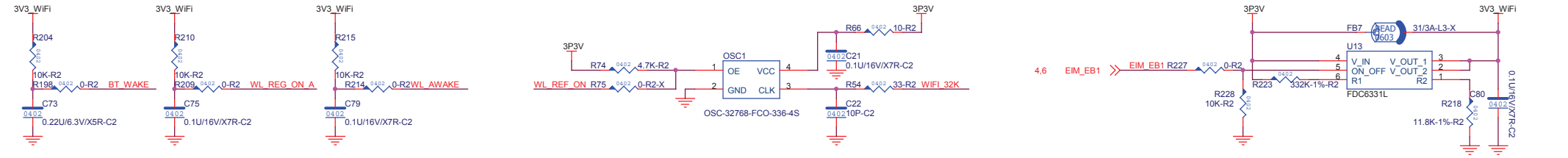
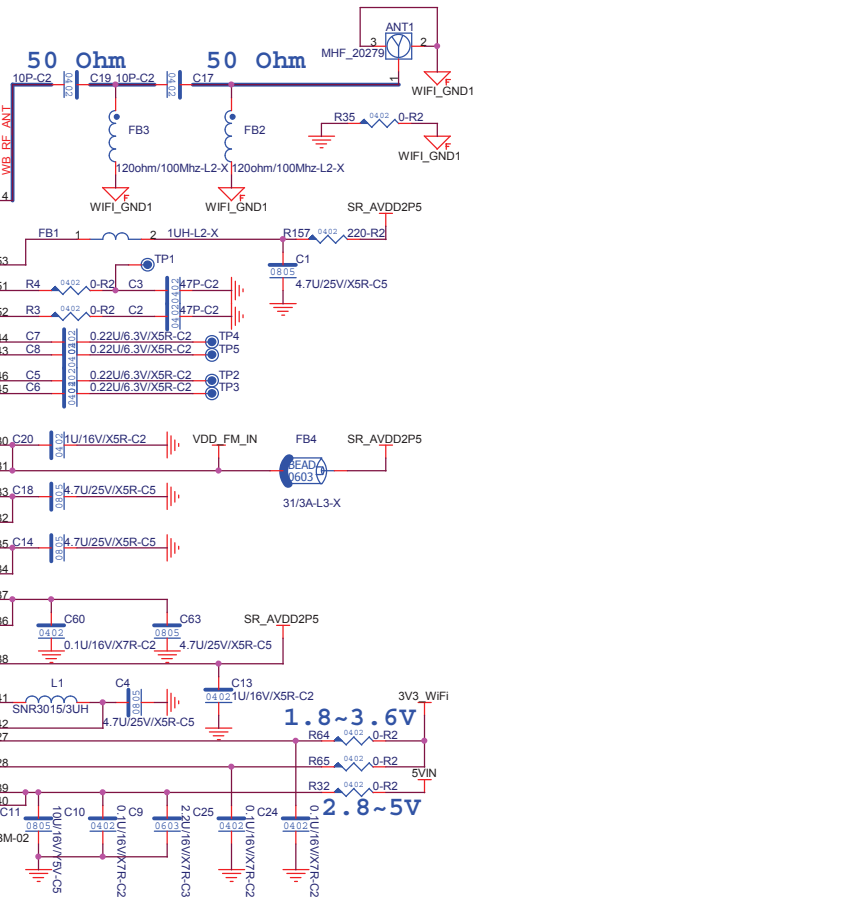
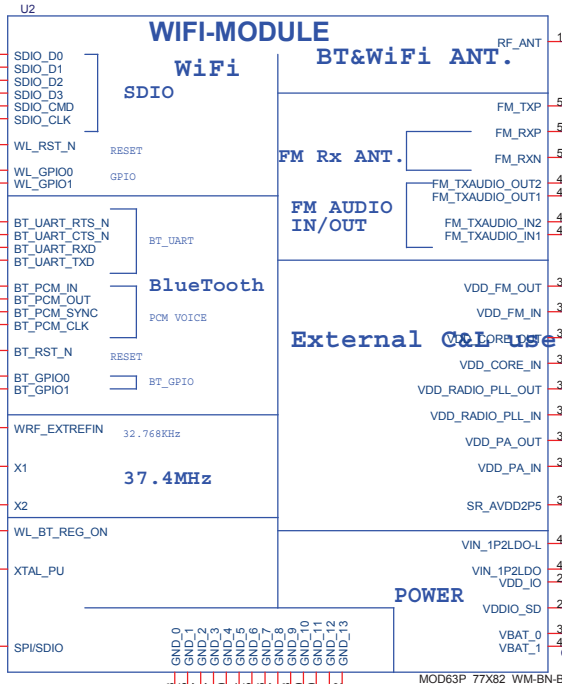
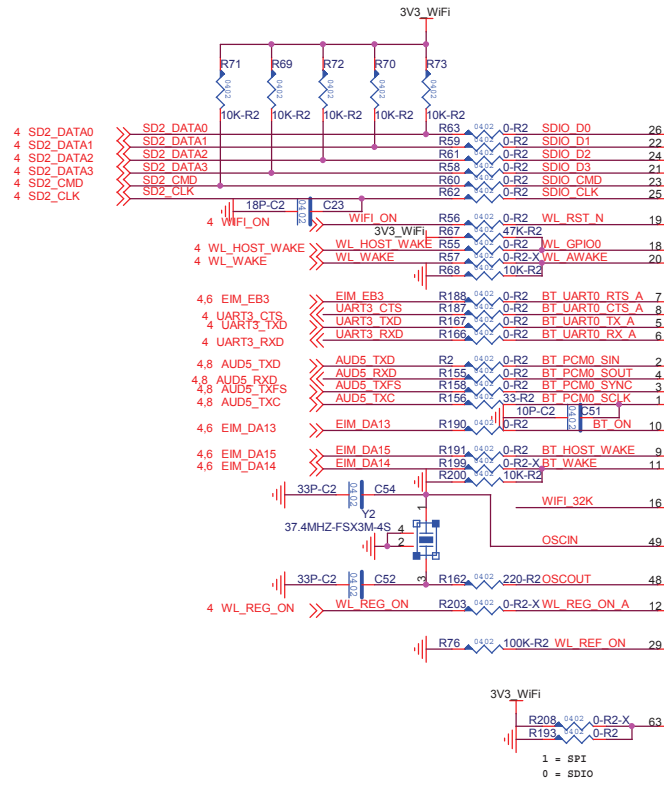
Ethernet



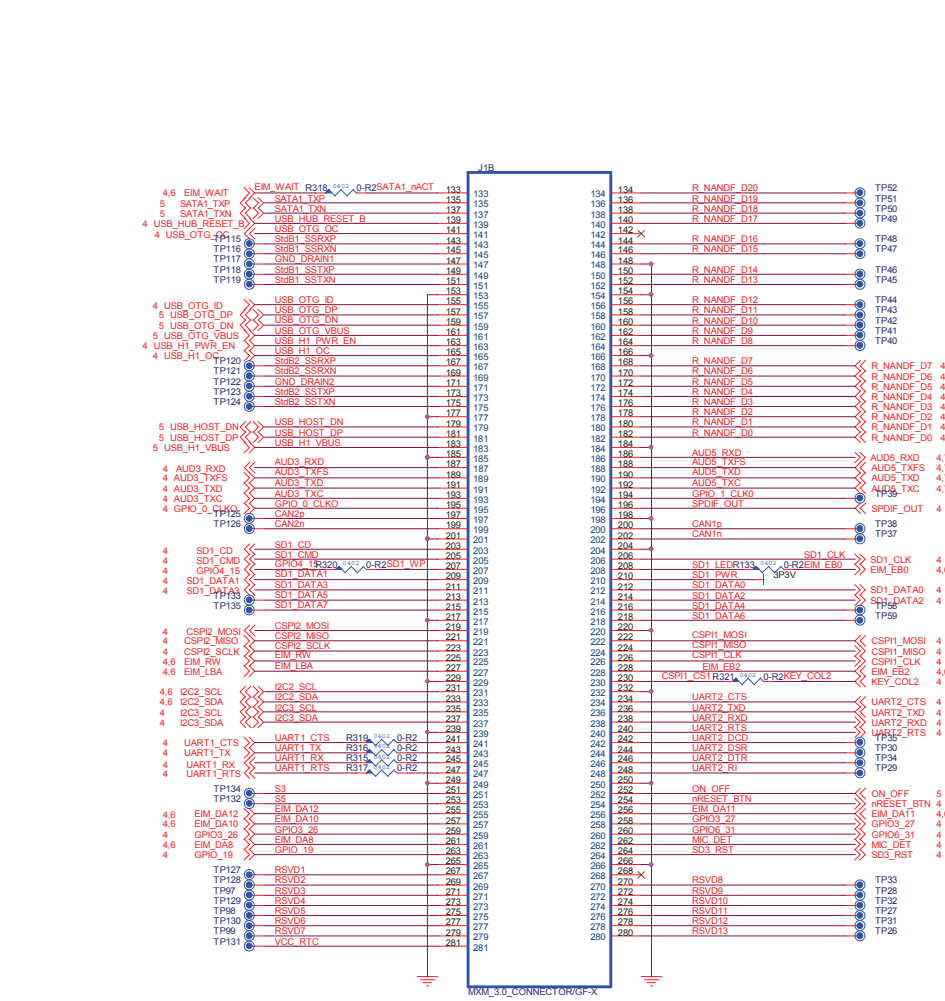
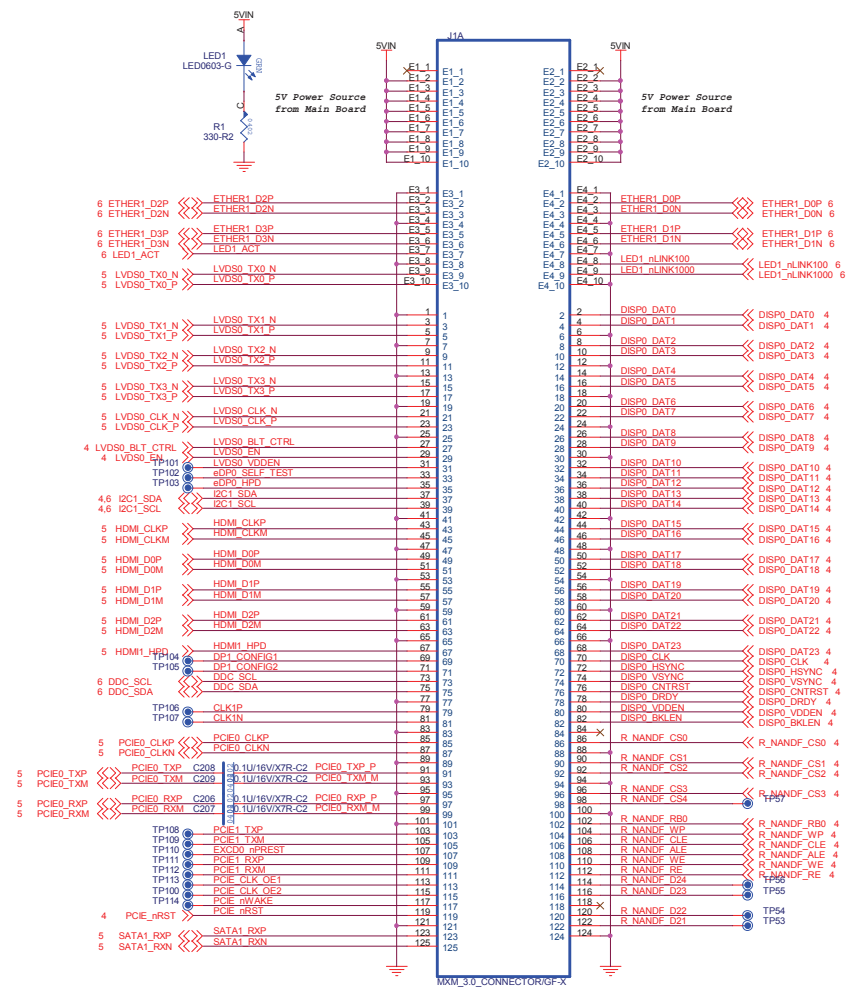
CAMERA



- 4 SD2_DATA0
- 4 SD2_DATA1
- 4 SD2_DATA2
- 4 SD2_DATA3
- 4 SD2_CMD
- 4 SD2_CLK



Board to Board



WAND REV:A

PAGE TITLE

P01 Index

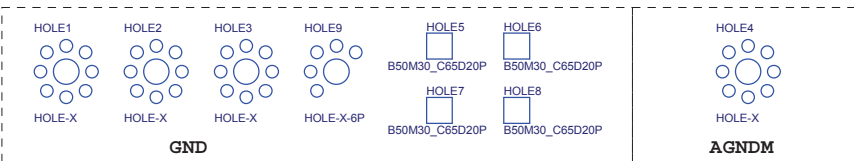
P02 Expansion CONN.

P03 DC-DC & M-SD

P04 HOST & Client

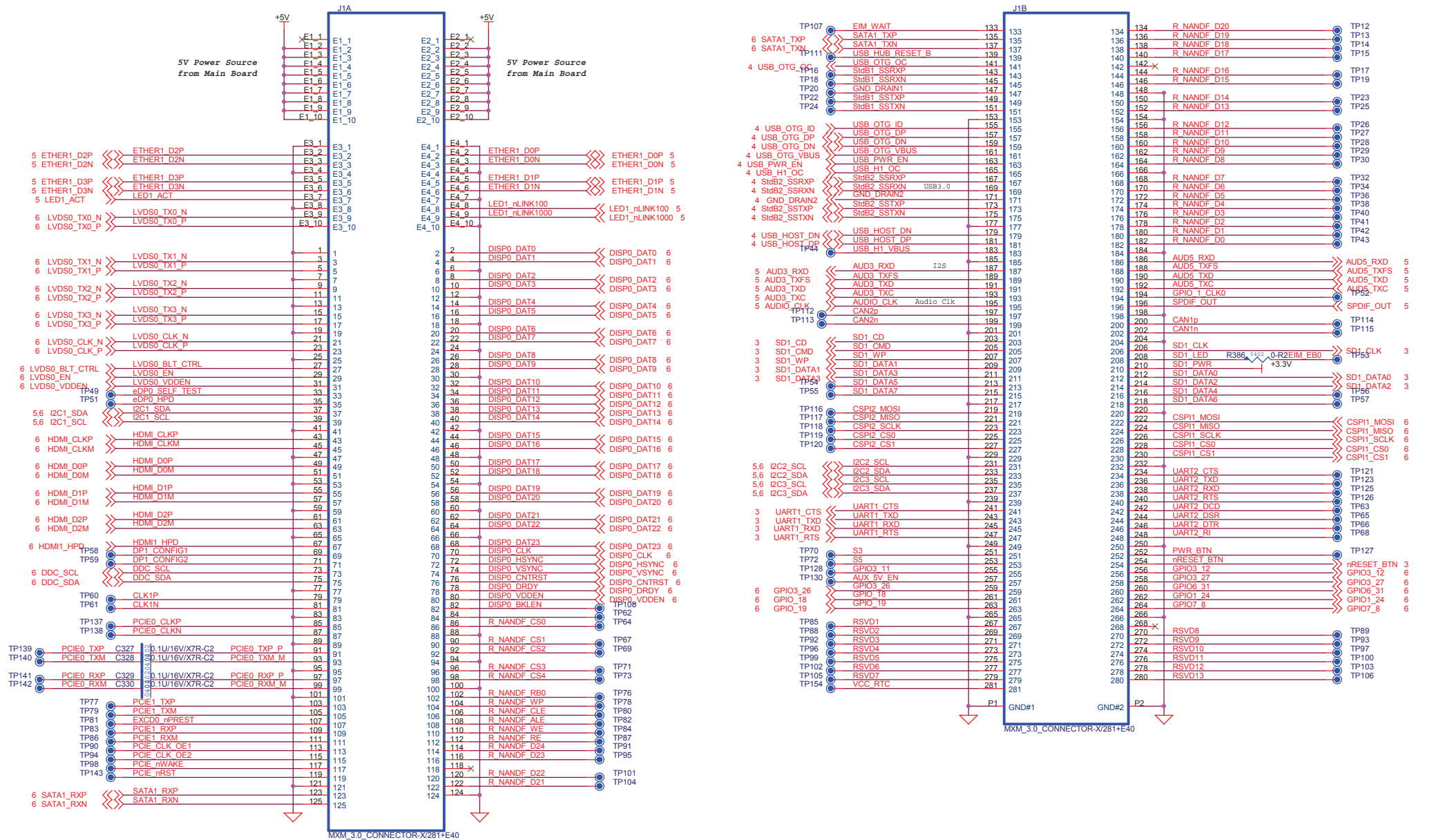
P05 Audio & RJ45

P06 LVDS & HDMI & SATA



WANDBOARD.ORG		
Title		
INDEX		
Size Custom	Document Number	Rev A
WAND		
Date: Thursday, February 07, 2013	Sheet 1	of 6

Board to Board



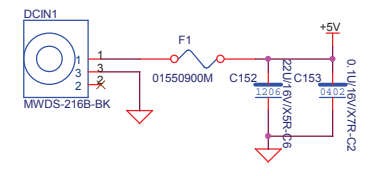
WANDBOARD.ORG

Title: Board to Board Conn.

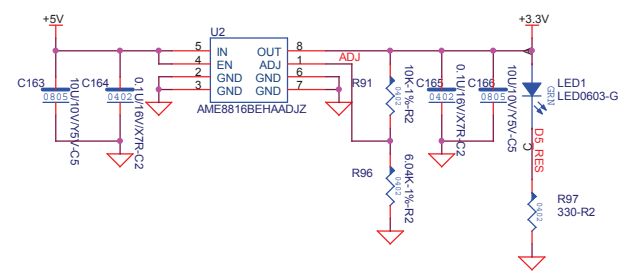
Size: Custom Document Number: **WAND** Rev: A

Date: Thursday, February 07, 2013 Sheet: 2 of 6

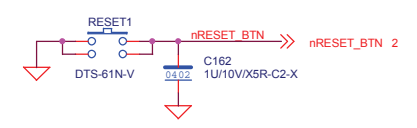
DC JACK



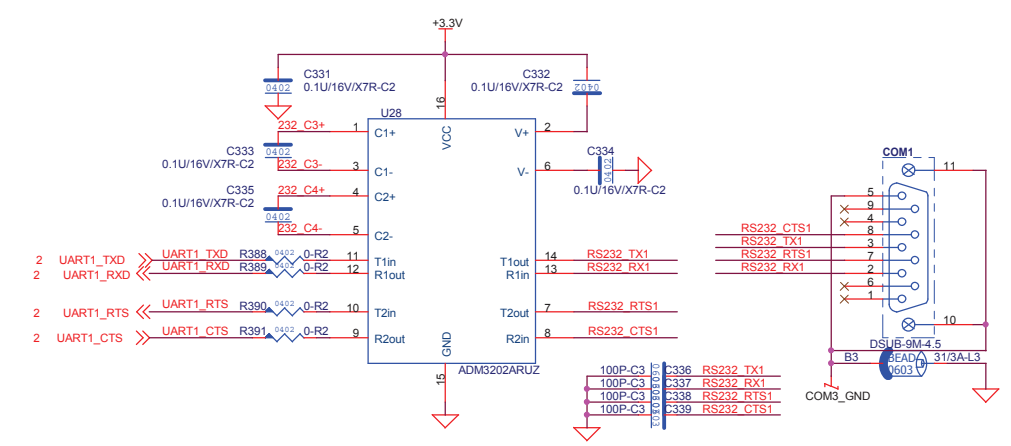
DC-DC



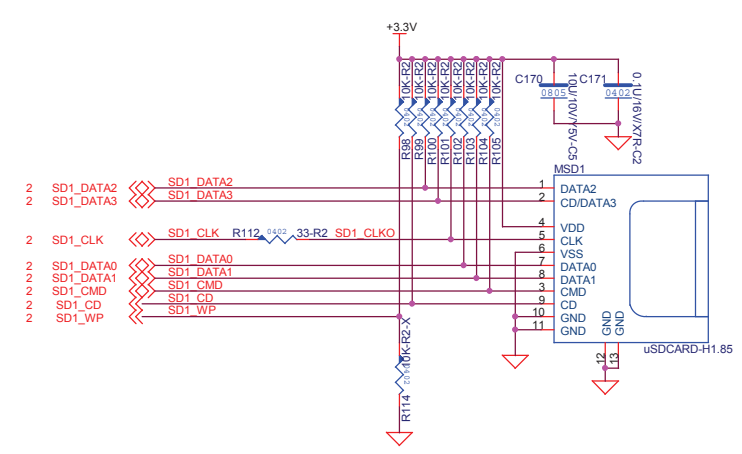
Button



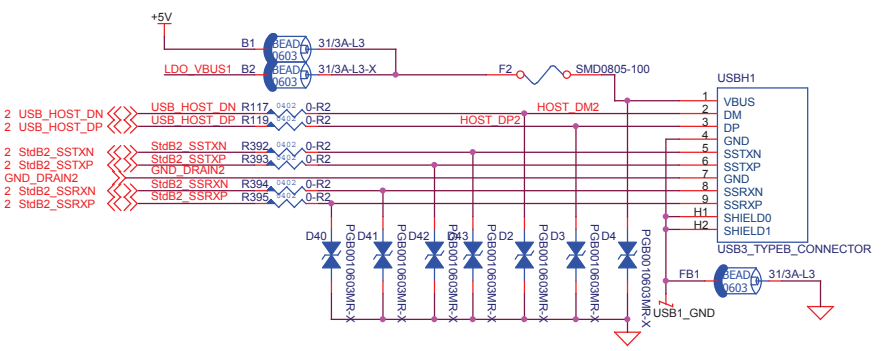
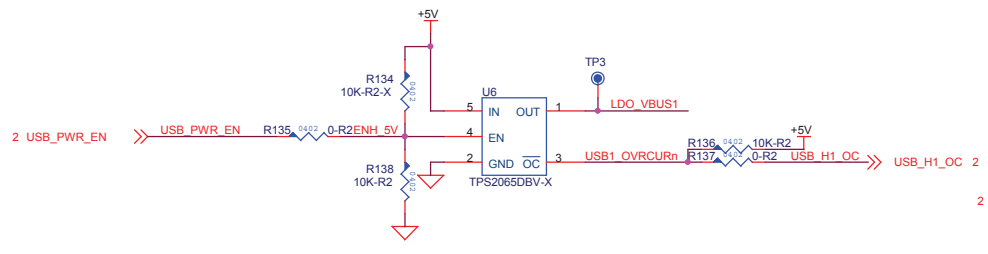
UART



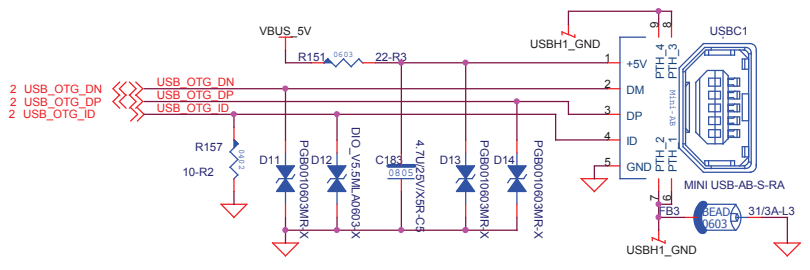
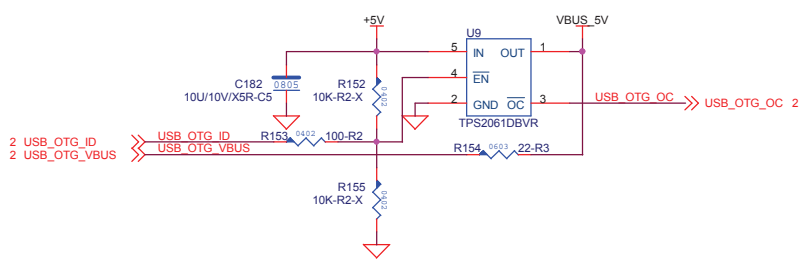
Micro-SD



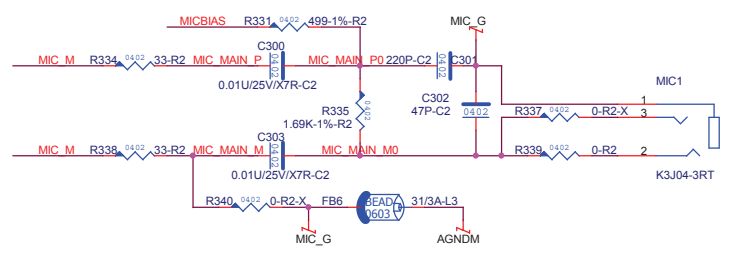
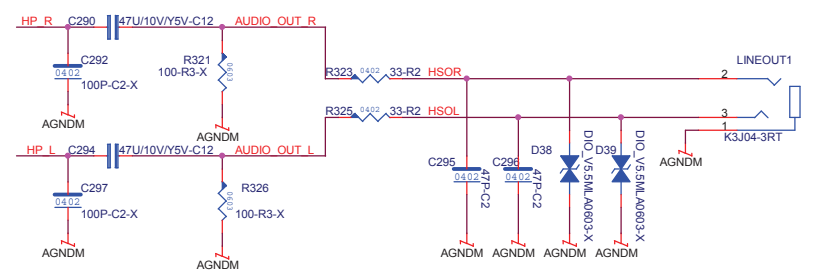
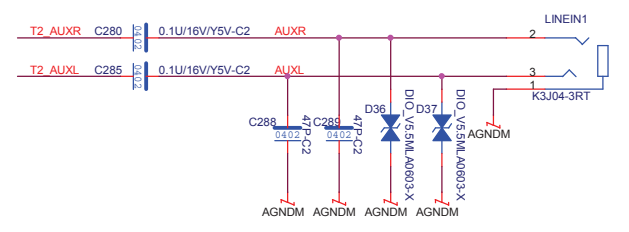
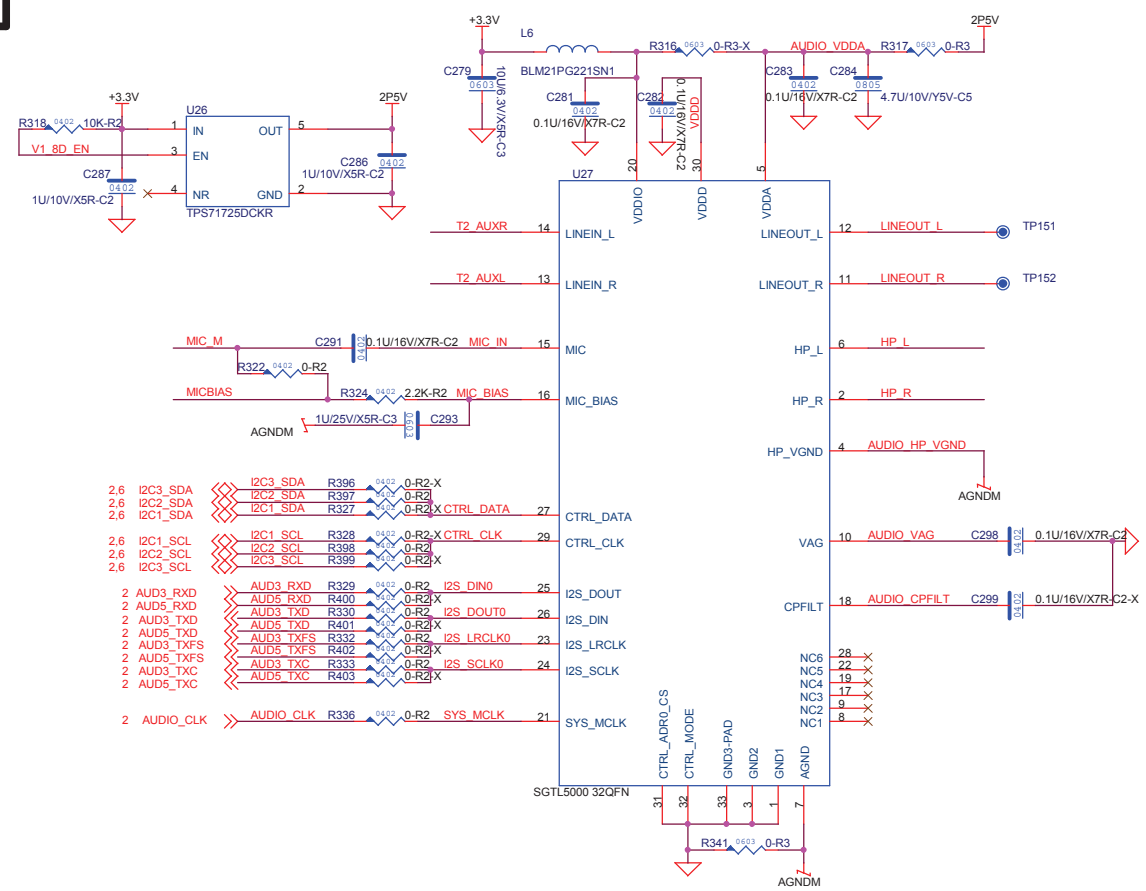
HOST USB



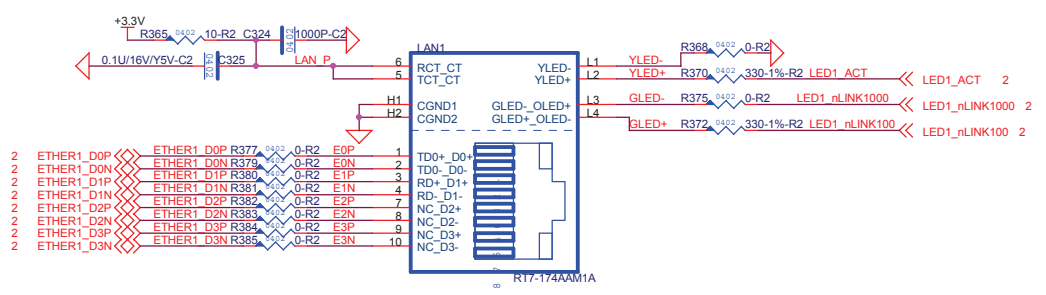
OTG USB



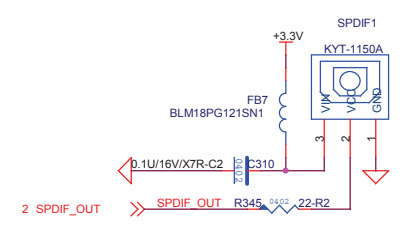
AUDIO



RJ45

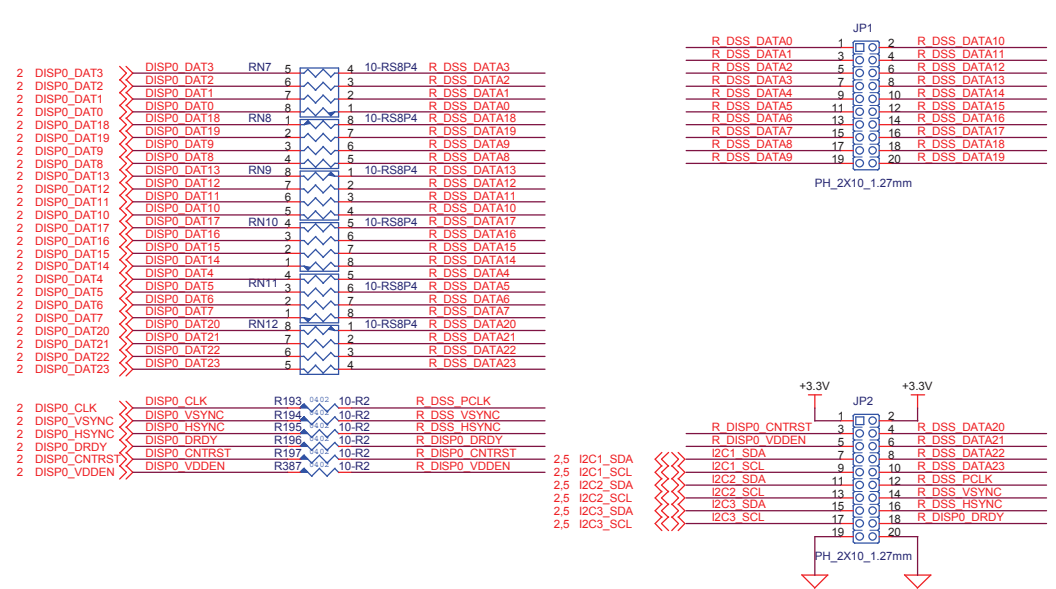


SPDIF

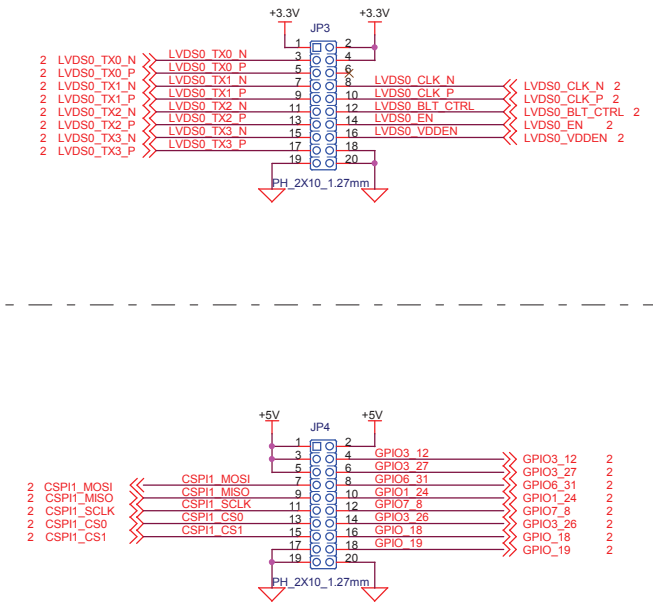


WANDBOARD.ORG		
Title		
<i>Audio & Amplifier</i>		
Size Custom	Document Number	Rev A
WAND		
Date:	Thursday, February 07, 2013	Sheet 5 of 6

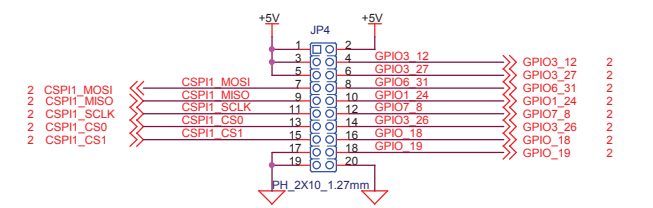
TTL



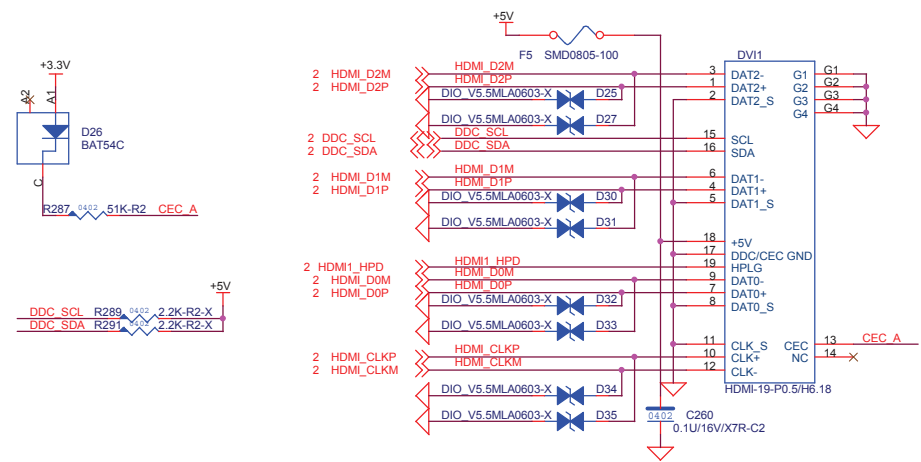
LVDS



SPI



HDMI



SATA

