



**RDL**<sup>®</sup>  
Radio Design Labs

SPECIALISTS IN PRACTICAL PRECISION ENGINEERING™

## ACCESSORIES

### Model RC4-ST & RC4-STS

### 4-Channel Remote Control

#### ANYWHERE YOU NEED...

- Remote Selection of Four Audio Sources
- Single-Button Selection for Each Source
- Remote Selection of Unbalanced Audio Sources
- 3-wire Remote Wiring
- Professional Aesthetic Appearance
- Companion to other RDL Remote Controls

#### *You Need The RC4-ST!*

**APPLICATION:** The RC4-ST is part of the RDL accessories group and is designed as a functional and visual complement to many other RDL remote controls such as the RLC2, RLC3 or RLC10K Remote Level Controls.

The RC4-ST is a wall-box mounted remote module designed to directly control a RDL ST-SX4 Audio Selector Switch Module. The ST-SX4 provides solid-state switching of one of four unbalanced audio inputs to a single unbalanced audio output. The RC4-ST connects directly to the **POWER** and **CTRL** terminals of the ST-SX4 using either a 3-conductor cable or a single shielded pair.

The front panel of the RC4-ST features four pushbuttons with four associated LEDs. Upon initial application of power, source **1** is selected. Touching any of the other three buttons de-selects source **1** and immediately selects the source corresponding to the button pushed. An LED adjacent to each button indicates which source is selected. For stereo installations, the **SLAVE** output from the ST-SX4 is used to drive the **CTRL** input of an additional ST-SX4.

In a typical installation, the RC4-ST is mounted adjacent to a RDL remote-level control such as the RLC2, RLC3 or RLC10K. The RC4-ST selects the audio source and the remote-level control permits adjustment of the level including turning the level fully off (Note: The RLC2, RLC3 or RLC10K work in conjunction with other RDL VCA modules, sold separately).

The RC4-ST is constructed on a durable polycarbonate-faced, powder-coated steel panel. Electronics are housed in a solid enclosure featuring a full-sized rear barrier block for easy wiring. The attractive front panel graphics and quality construction make the RC4-ST the ideal choice in any high quality and economical wall-mounted remote control installation.

Wherever a 4-channel remote control is needed, the RC4-ST is the ideal choice. Use the RC4-ST combined with other RDL RACK-UP<sup>®</sup>, STICK-ON<sup>®</sup>, TX<sup>™</sup>, or FLAT-PAK<sup>™</sup> series products as part of a complete audio/video system.



# ACCESSORIES

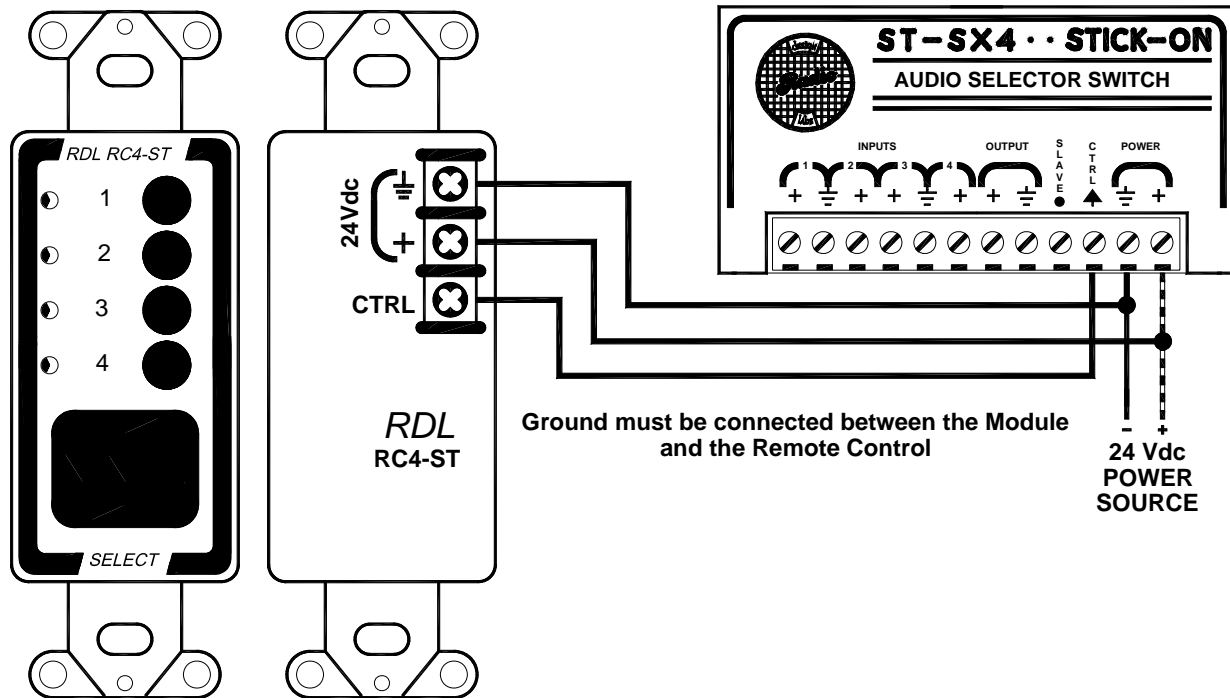
## Model RC4-ST & RC4-STS

### 4-Channel Remote Control

## Installation/Operation



EN55103-1 E1-E5; EN55103-2 E1-E4  
Typical Performance reflects product at publication time exclusive of EMC data, if any, supplied with product. Specifications are subject to change without notice.



### TYPICAL PERFORMANCE

Selectors:	4 momentary pushbuttons, 1 for each channel
Indicators:	4 LEDs, indicates channel selected
Connections:	Interfaces directly with <i>RDL</i> ST-SX4
Mounting:	Mounts in US standard electrical box, decorative plate available separately
Dimensions:	Height: 4.0 in 10.4 cm Depth: 1.6 in 4.1 cm Width: 1.3 in 3.3 cm
Power Requirement:	24 to 33 Vdc @ 30 mA, Ground-referenced