



RDL[®]
Radio Design Labs

SPECIALISTS IN PRACTICAL PRECISION ENGINEERING™

ACCESSORIES

Model RC4-RU & RC4-RUS

4-Channel Remote Control

ANYWHERE YOU NEED...

- Remote Selection of Four Audio Sources
- Single-Button Selection for Each Source
- Remote Selection of Balanced Audio Sources
- 3-pair or 6-conductor Remote Wiring
- Professional Aesthetic Appearance
- Companion to other RDL Remote Controls

You Need The RC4-RU!



APPLICATION: The RC4-RU is part of the RDL accessories group and is designed as a functional and visual complement to many other RDL remote controls such as the RLC2, RLC3 or RLC10K Remote Level Controls.

The RC4-RU is a wall-box mounted remote module designed to directly control a RDL RU-SX4A Audio Selector Switch Module. The RU-SX4A provides solid-state switching of one of four balanced/unbalanced audio inputs to a single balanced/unbalanced audio output. The RC4-RU connects directly to the **POWER** and **SLAVE** terminals of the RU-SX4A using a 3-pair cable or a 6-conductor cable.

The front panel of the RC4-RU features four pushbuttons with four associated LEDs. Upon initial application of power, source **1** is selected. Touching any of the other three buttons de-selects source **1** and immediately selects the source corresponding to the button pushed. An LED adjacent to each button shows which source is selected. There are four output terminals on the RC4-RU. Each of these is an open-collector output, which is pulled to ground when the output is selected. For stereo installations, the RC4-RU is capable of driving two RU-SX4As simultaneously.

In a typical installation, the RC4-RU is mounted adjacent to a RDL remote-level control such as the RLC2, RLC3 or RLC10K. The RC4-RU selects the audio source and the remote-level control permits adjustment of the level including turning the level fully off (Note: The RLC2, RLC3 or RLC10K work in conjunction with other RDL VCA modules, sold separately).

The RC4-RU is constructed on a durable polycarbonate-faced, powder-coated steel panel. Electronics are housed in a solid enclosure featuring a full-sized rear barrier block for easy wiring. The attractive front panel graphics and quality construction make the RC4-RU the ideal choice in any high quality and economical wall-mounted remote control installation.

Wherever a 4-channel remote control is needed, the RC4-RU is the ideal choice. Use the RC4-RU combined with other RDL RACK-UP[®], STICK-ON[®], TX[™], or FLAT-PAK[™] series products as part of a complete audio/video system.

ACCESSORIES

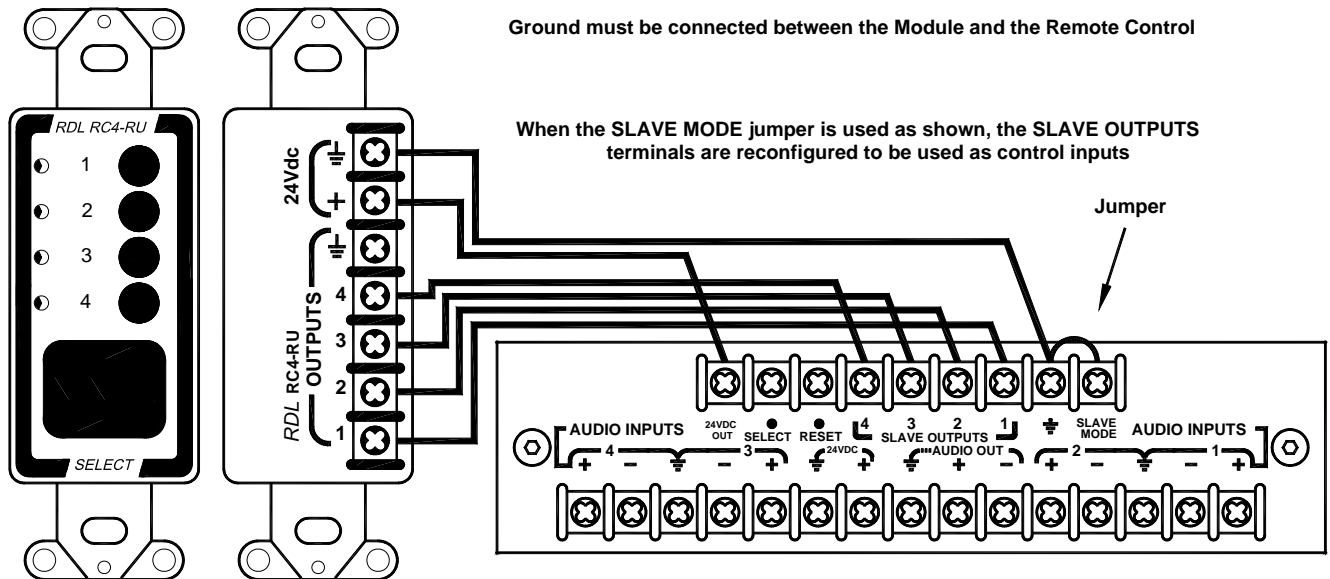
Model RC4-RU & RC4-RUS

4-Channel Remote Control

Installation/Operation



EN55103-1 E1-E5; EN55103-2 E1-E4
Typical Performance reflects product at publication time exclusive of EMC data, if any, supplied with product. Specifications are subject to change without notice.



TYPICAL PERFORMANCE

Selectors: 4 Momentary Pushbuttons, 1 for each channel
Indicators: 4 LEDs, Indicates channel selected
Connections: Interfaces directly with *RDL RU-SX4A* (Note: do not use with *RU-SX4*)
Power Requirement: 24 to 33 Vdc @ 30 mA, Ground-referenced

Mounting: Mounts in US standard electrical box, decorative plate available separately

Dimensions: Height: 4.0 in. 10.4 cm
Depth: 1.6 in. 4.1 cm
Width: 1.3 in. 3.3 cm