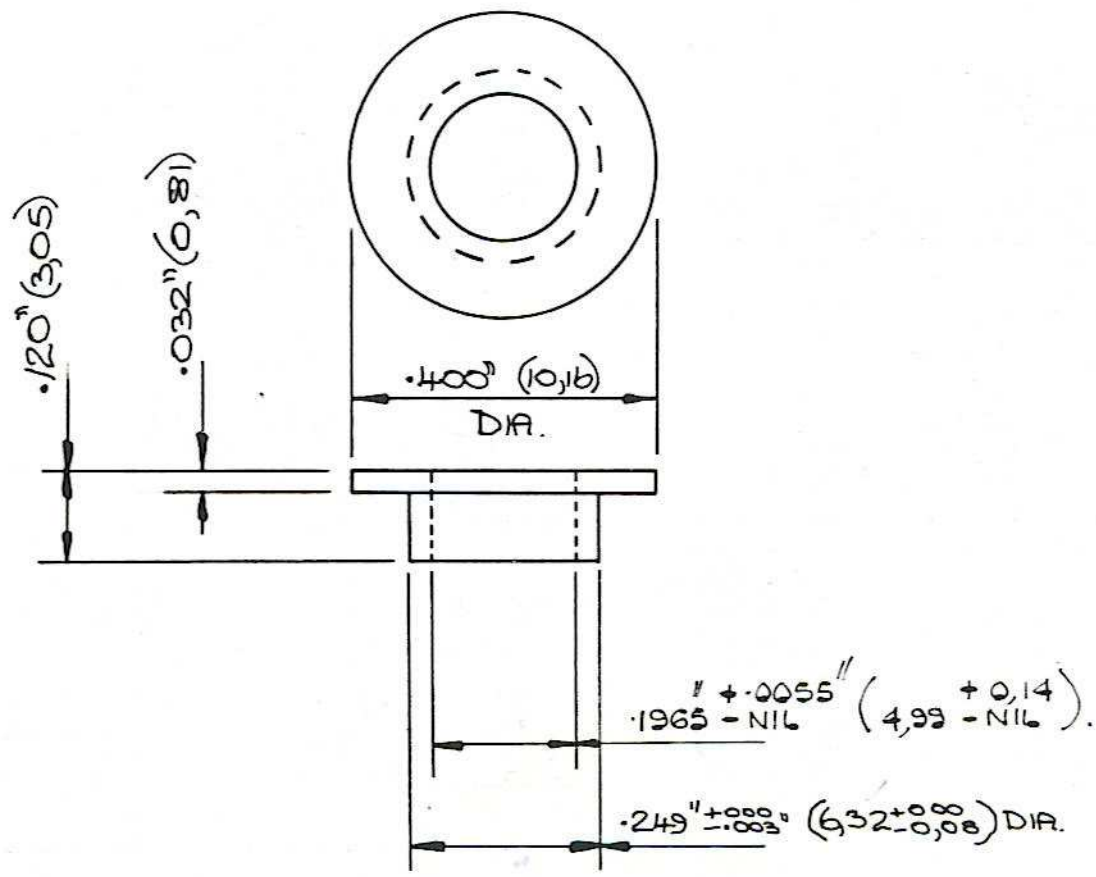


THIRD ANGLE PROJECTION



DATE	ISS.	REVISION	SIG.	JERMYN CODE.	PIECE PART NO.	Material.
21.3.78	C	Dwg rationalised.	CM	A1230	P22-1230.	A1406.
5 May 78	D	C/N 42. (196 was 190)	DR			
21.4.78	E	C/N 54. (199 was 190)	DR			
31.10.78	F	CN 0082 (BORE SIZE)	RN.	MATERIAL SEE TABLE	FINISH Natural	
10.9.80	G	CN N° 254	RN.	TOLERANCE ±.005" (0.13) U.O.S.	DRAWN E. Motz.	
11.6.81	H	CN. N° 273.	RN.		TRACED	
TITLE Insulating Bush.				SCALE: 4:1	CHECKED	
				DIMS. Inches (mm)	DATE	21,3,78.
Jermyn Manufacturing				Sevenoaks Kent Telephone Sevenoaks (0732) 58271 Telegrams Jermyn Sevenoaks Telex 95142		DRG. No.
						A22