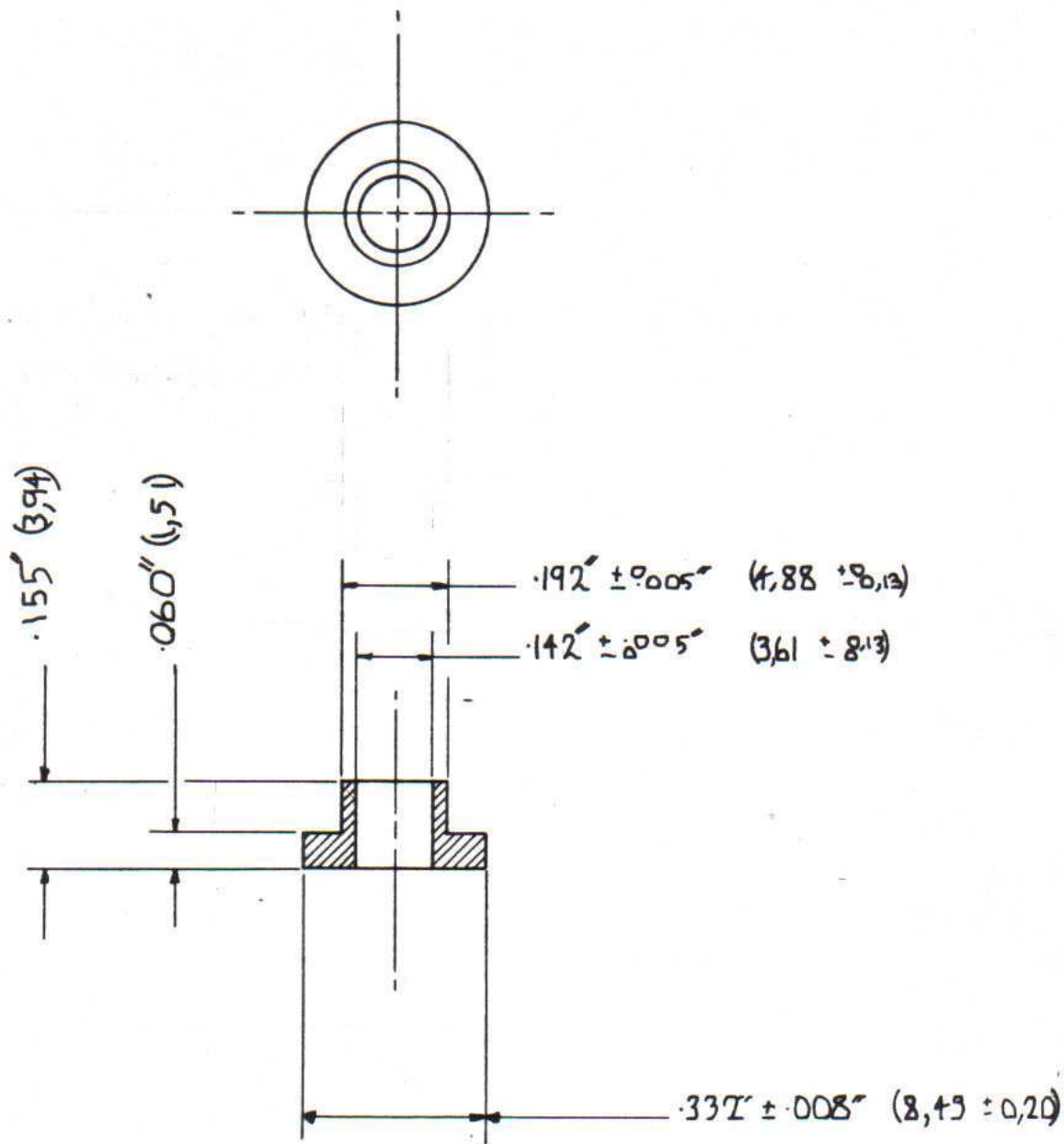


DRG. No.

A22 1108

FOR EXPLANATION OF DIMENSIONING, ETC. SEE B.S.308

THIRD ANGLE PROJECTION



DATE	ISS.	REVISION	SIG.	JERMYN CODE	PIECE PART N°	Material.
21,3,78	A	Drwg rationalised.	CM	A1108.	P22-1108	A1406
10.6.81	B	C.N. N° 273	RS.			
				MATERIAL	FINISH	
				SEE TABLE	NATURAL	
				TOLERANCE	DRAWN	(J)
				$\pm .005$ U.O.S.	TRACED	
				(0,13)	CHECKED	
TITLE INSULATING BUSH				SCALE: 3:1	DATE	16-12-77
				DIMS. INCHES (mm)	DRG. No.	
Jermyn Manufacturing				Sevenoaks Kent	A22 1108	
				Telephone Sevenoaks (0732) 58271		
				Telegrams Jermyn Sevenoaks		
				Telex 95142		