

### Features

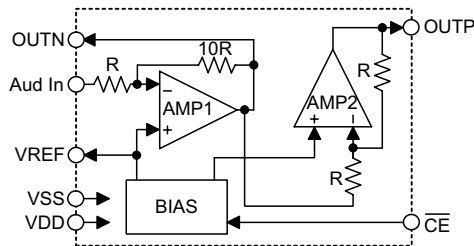
- High signal-to-noise ratio
- High slew rate
- Low distortion
- Large output voltage swing
- Excellent power supply ripple rejection
- Low power consumption
- Short-circuit elimination
- Wide temperature operating range
- No switch ON/OFF clicks
- Low standby current
- Power off control
- Direct drive speaker
- 8-pin DIP/SOP package

### General Description

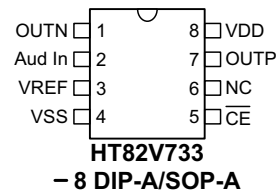
HT82V733 is an integrated class AB mono speaker driver contained in an SOP-8 package. The device is

fabricated in a CMOS process and has been primarily developed for portable digital audio applications.

### Block Diagram



### Pin Assignment



### Pin Description

Pin No.	Pin Name	I/O	Description
1	OUTN	O	Negative output
2	Aud In	I	Audio input
3	VREF	O	Speaker non-inverting input voltage reference
4	VSS	—	Negative power supply, ground
5	$\overline{CE}$	I	Chip enable, low active
6	NC	—	Not connected
7	OUTP	O	Positive output
8	VDD	—	Positive power supply

### Absolute Maximum Ratings

Supply Voltage .....  $V_{SS}-0.3V$  to  $V_{SS}+5.5V$       Storage Temperature .....  $-50^{\circ}C$  to  $125^{\circ}C$   
 Input Voltage .....  $V_{SS}-0.3V$  to  $V_{DD}+0.3V$       Operating Temperature .....  $-20^{\circ}C$  to  $70^{\circ}C$

Note: These are stress ratings only. Stresses exceeding the range specified under "Absolute Maximum Ratings" may cause substantial damage to the device. Functional operation of this device at other conditions beyond those listed in the specification is not implied and prolonged exposure to extreme conditions may affect device reliability.

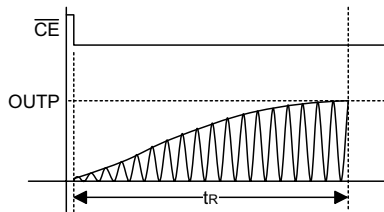
**Electrical Characteristics**
 $V_{SS}=0V, T_a=25^{\circ}C$ 

Symbol	Parameter	Test Conditions		Min.	Typ.	Max.	Unit
		V <sub>DD</sub>	Conditions				
<b>Supplies</b>							
V <sub>DD</sub>	Supply Voltage	—	—	2.4	5.0	5.5	V
V <sub>SS</sub>	Negative Supply Voltage	5V	—	—	0	—	V
I <sub>STB</sub>	Standby Current	—	—	—	—	1	μA
I <sub>DD</sub>	Operating Current	—	V <sub>i</sub> =0, No load	2	4	10	mA
			V <sub>p-p</sub> =500mV, f <sub>i</sub> =1kHz No load	4.8	12.3	23.5	
P <sub>tot</sub>	Total Power Dissipation	—	V <sub>p-p</sub> =500mV, f <sub>i</sub> =1kHz No load	15	60	140	mW
<b>DC Characteristics</b>							
V <sub>I(OS)</sub>	Input Offset Voltage	5V	—	—	12	—	mV
		3V		—	2.5	—	
I <sub>O</sub>	Maximum Output Current (THD+N)/S<1%	5V	Current	—	240	—	mA
		3V	Current	—	160	—	
V <sub>O</sub>	Output Voltage Swing (THD+N)/S<1%	5V	R <sub>L</sub> =16Ω	1.2	—	4	V
			R <sub>L</sub> =8Ω	1.8	—	3.4	
			R <sub>L</sub> =4Ω	2.1	—	3	
		3V	R <sub>L</sub> =16Ω	0.6	—	2.3	V
			R <sub>L</sub> =8Ω	0.9	—	1.9	
			R <sub>L</sub> =4Ω	1.1	—	1.7	
PSRR	Power Supply Rejection Ratio	5V	f <sub>i</sub> =100Hz; V <sub>ripple(p-p)</sub> =100mV	—	71	—	dB
		3V		—	62	—	
<b>AC Characteristics</b>							
(THD+N)/S	Total Harmonic Distortion Plus Noise-to-signal Ratio	5V	V <sub>O(p-p)</sub> =3.5V R <sub>L</sub> =8Ω	—	-48	—	dB
				—	3	—	
		3V	V <sub>O(p-p)</sub> =1.5V R <sub>L</sub> =8Ω	—	-30	—	dB
				—	3	—	
S/N	Signal-to-noise Ratio	5V	—	—	60	—	dB
		3V		—	58	—	

**Functional Description**

**OUTP Rising Time ( $t_R$ )**

When  $\overline{CE}$  active low, the HT82V733 need rising time to output fully on OUTP pin. However, the rising time depends on C1. (\*see the application circuits)

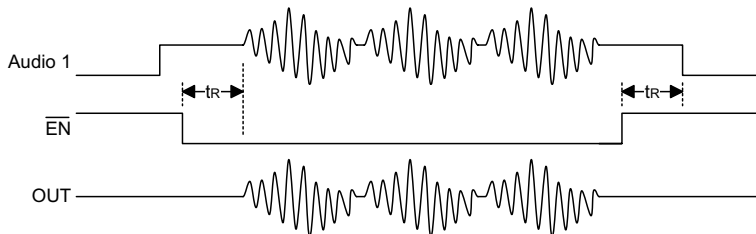


Capacitor $t_R$ Voltage	0.1 $\mu$ F	1 $\mu$ F	4.7 $\mu$ F	10 $\mu$ F
	2.2V	15ms	30ms	90ms
3V	15ms	30ms	90ms	185ms
4V	15ms	30ms	90ms	185ms

For battery based applications, power consumption is a key issue, therefore the amplifier should be turned off when in the standby state. In order to eliminate any speaker sound bursts while turning the amplifier on, the application circuit, which will incorporate a capacitance value of C1, should be adjusted in accordance with the speaker's audio frequency response. A greater value of C1 will improve the noise burst while turning on the amplifier. The recommended operation sequence is:

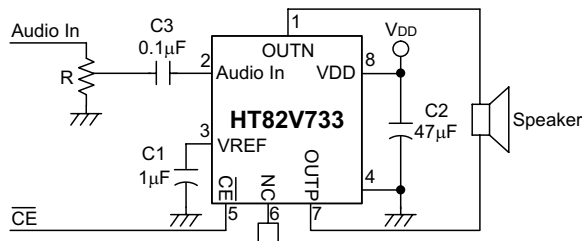
Turn On: audio1 signal standby (1/2 VDD) → enable amplifier → wait  $t_R$  for amplifier ready → audio1 output

Turn Off: audio1 signal finished → disable amplifier → wait  $t_R$  for amplifier off → audio1 signal off



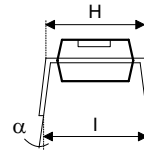
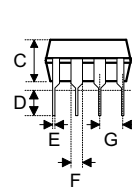
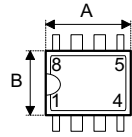
If the application is not powered by batteries and there is no problem with amplifier On/Off issue, a capacitor value of 0.1 $\mu$ F for C1 is recommended.

**Application Circuits**



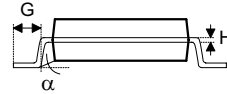
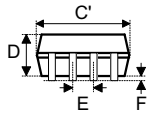
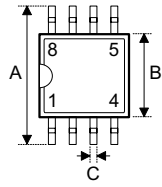
**Package Information**

**8-pin DIP (300mil) Outline Dimensions**



Symbol	Dimensions in mil		
	Min.	Nom.	Max.
A	355	—	375
B	240	—	260
C	125	—	135
D	125	—	145
E	16	—	20
F	50	—	70
G	—	100	—
H	295	—	315
I	335	—	375
$\alpha$	0°	—	15°

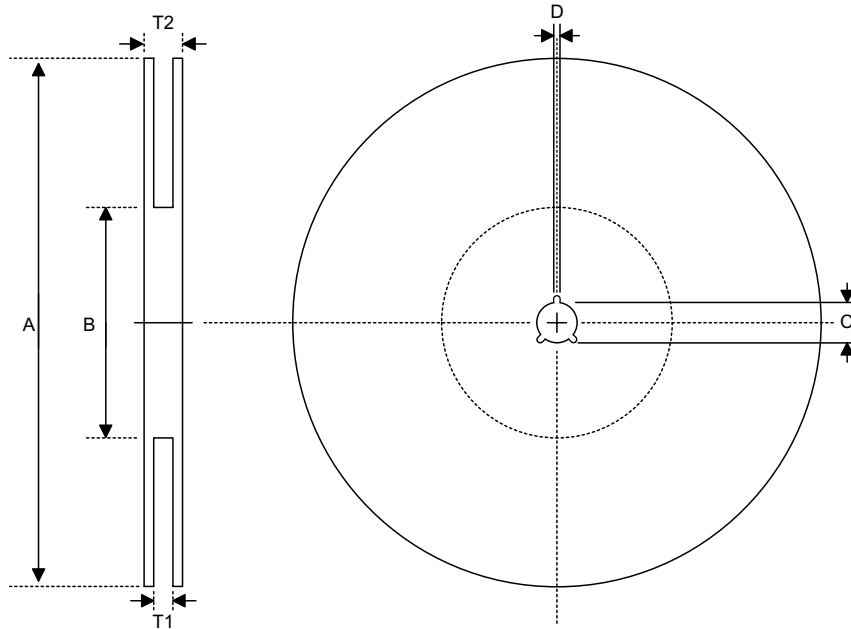
**8-pin SOP (150mil) Outline Dimensions**



Symbol	Dimensions in mil		
	Min.	Nom.	Max.
A	228	—	244
B	149	—	157
C	14	—	20
C'	189	—	197
D	53	—	69
E	—	50	—
F	4	—	10
G	22	—	28
H	4	—	12
$\alpha$	0°	—	10°

**Product Tape and Reel Specifications**

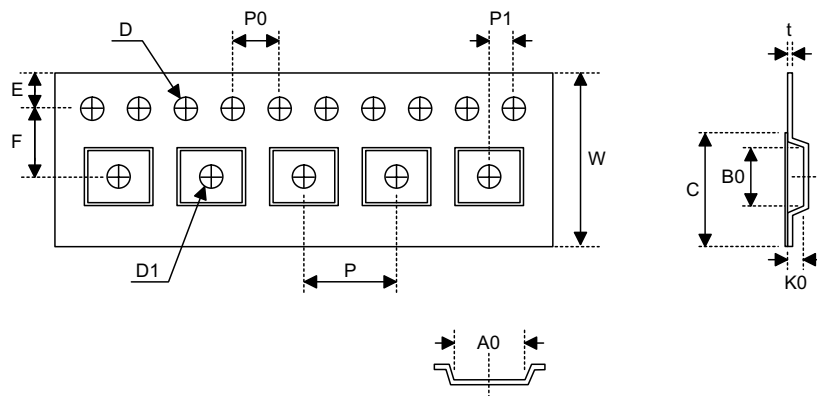
**Reel Dimensions**



SOP 8N

Symbol	Description	Dimensions in mm
A	Reel Outer Diameter	330±1.0
B	Reel Inner Diameter	62±1.5
C	Spindle Hole Diameter	13.0+0.5 -0.2
D	Key Slit Width	2.0±0.15
T1	Space Between Flange	12.8+0.3 -0.2
T2	Reel Thickness	18.2±0.2

**Carrier Tape Dimensions**



**SOP 8N**

Symbol	Description	Dimensions in mm
W	Carrier Tape Width	12.0+0.3 -0.1
P	Cavity Pitch	8.0±0.1
E	Perforation Position	1.75±0.1
F	Cavity to Perforation (Width Direction)	5.5±0.1
D	Perforation Diameter	1.55±0.1
D1	Cavity Hole Diameter	1.5+0.25
P0	Perforation Pitch	4.0±0.1
P1	Cavity to Perforation (Length Direction)	2.0±0.1
A0	Cavity Length	6.4±0.1
B0	Cavity Width	5.20±0.1
K0	Cavity Depth	2.1±0.1
t	Carrier Tape Thickness	0.3±0.05
C	Cover Tape Width	9.3

Copyright © 2003 by HOLTEK SEMICONDUCTOR INC.

The information appearing in this Data Sheet is believed to be accurate at the time of publication. However, Holtek assumes no responsibility arising from the use of the specifications described. The applications mentioned herein are used solely for the purpose of illustration and Holtek makes no warranty or representation that such applications will be suitable without further modification, nor recommends the use of its products for application that may present a risk to human life due to malfunction or otherwise. Holtek's products are not authorized for use as critical components in life support devices or systems. Holtek reserves the right to alter its products without prior notification. For the most up-to-date information, please visit our web site at <http://www.holtek.com.tw>.