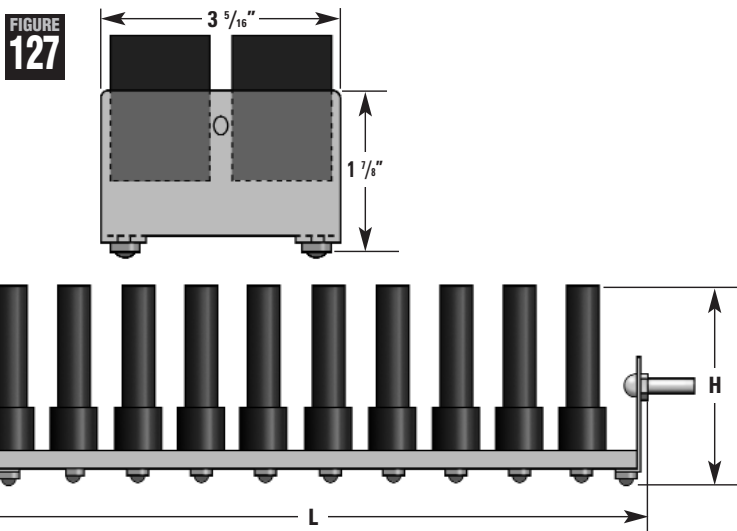


HVCA Number	Repetitive Peak Reverse Voltage V_{RRM} V(Volts)	Avg. Forward Current Max. $I_{FAVM}@T_A 35^\circ C$ A(Amps)	Max. Forward Voltage Drop $V_F@12A$ V(Volts)	Max Reverse Current $I_R@V_{RRM}@25^\circ C/100^\circ C$ μA (microAmps)	Max Surge Current I_{FSM} (8.3 ms) A (Amps)
JH547	29000	2/8*	48	400/600	600

*With heat sinks and forced air at 700 ft/min.
JH547 has M6 threaded insert. For 1/4-20 insert, specify JH565.

Complete Replacement For:
Philips Amperex RS3.5, RS5, RS10,
OSB-, OSM-, OSS-, 9115,
9215, 9415



**Power Rectifier Assembly
 Capacitor Compensated**

HRS5		Height H=3.25" max							
Average Forward Current Max @ 50°C Ambient		I_{FAVM}	5.0 Amps						
Average Forward Current Max @ 50°C (Forced Air 300ft/min)		I_{FAVM}	15.0 Amps						
Maximum Surge Current, 10 ms Sine Pulse		I_{FSM}	400 Amps						
HRS10		Height H=3.75" max							
Average Forward Current Max @ 50°C Ambient		I_{FAVM}	10.0 Amps						
Average Forward Current Max @ 50°C (Forced Air 300ft/min)		I_{FAVM}	25.0 Amps						
Maximum Surge Current, 10 ms Sine Pulse		I_{FSM}	950 Amps						
HRSxx-	-6	-9	-12	-15	-18	-21	-24	-27	-30
Length L (Inches)	4.8	7	8.15	10.4	11.5	12.62	14.85	16	18.2
V_{RRM} (KV)	9.6	16	19.2	25.6	28.8	32	38.4	41.6	48
$V_F @ I_F=5.0A@25^\circ C$	6	10	12	16	18	20	24	26	30
Operating and Storage Temperature			T_A	-55°C to 150°C					
Maximum Reverse Leakage Current @ $V_{RRM} @ T_J=25^\circ C$			I_{RM}	100 μ Amps					

**Higher Voltages, Higher Surge Currents, Fast Recovery, Custom Lengths, Doubler, Positive and Negative Taps Available,
 Please Consult the Factory.**

Add an S for M6-35mm Studs instead of 1/4-28-1" Studs
 Example HRS5-18S is 5 Amps Average Forward Current, 28.8kV, L=11.5", with M6 Studs

DIODES